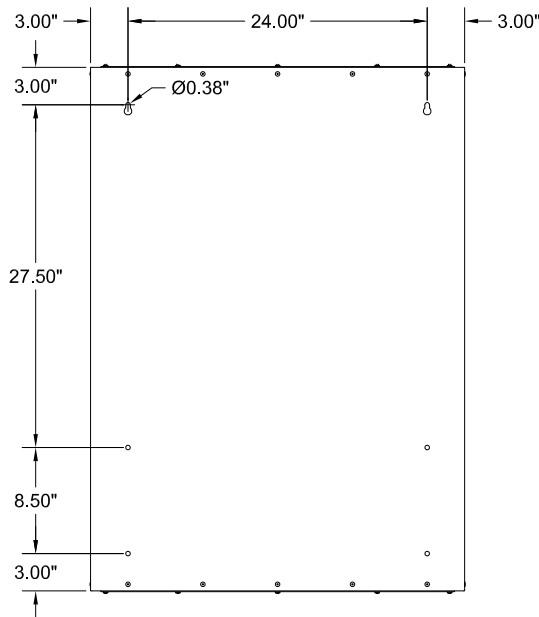
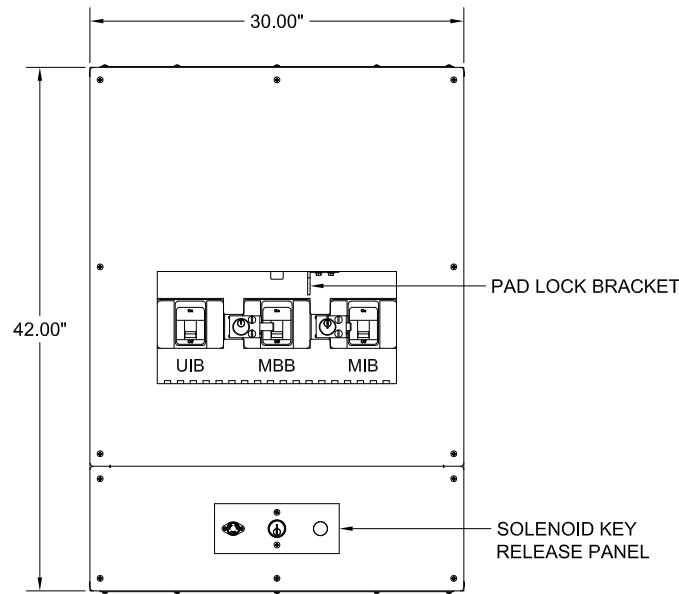


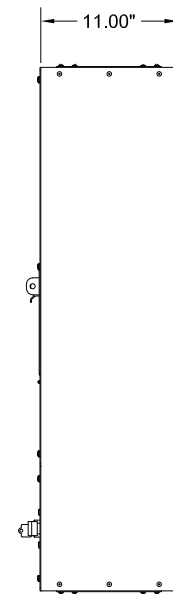
TOP VIEW



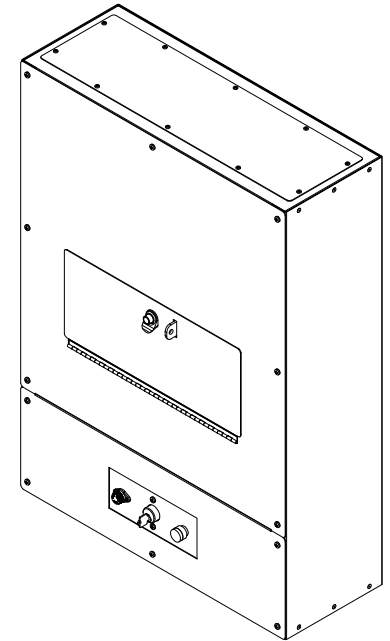
REAR VIEW



FRONT VIEW  
(DOOR REMOVED)



RIGHT SIDE VIEW



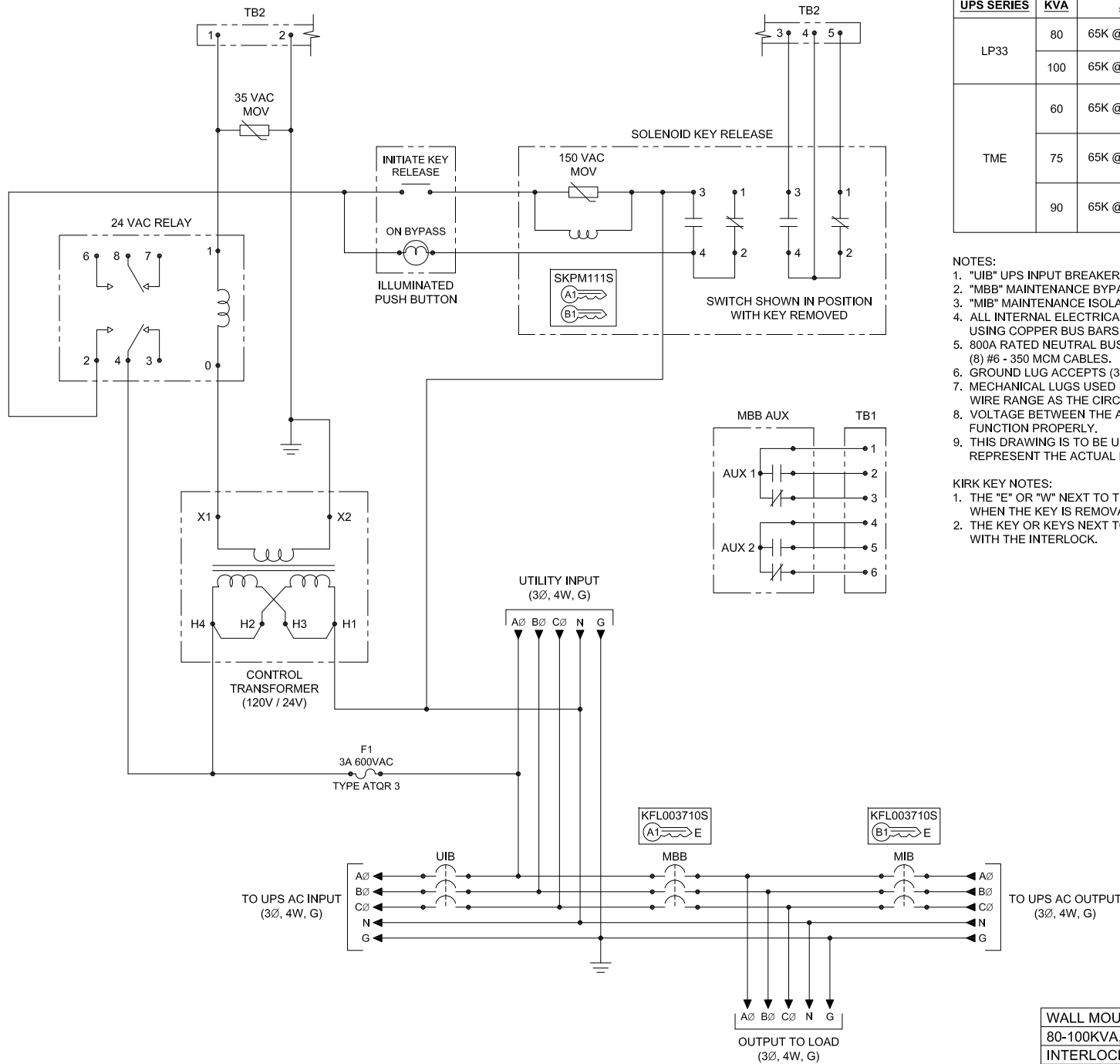
NOTES:

1. APPROXIMATE WEIGHT: 130 LBS.
2. ASSEMBLY IS UL/CUL LISTED TO UL 891 AND C22.2 NO. 244.
3. NEMA 1 WALL MOUNT ENCLOSURE.
4. THE BOX & TRIM ARE CONSTRUCTED OF GALVANIZED STEEL.
5. THE TRIM FINISH IS POWDER COATED ON ALL EXTERNAL AND VISIBLE SURFACES, BOX AND ALL INTERNAL MOUNT BRACKETS ARE GALVANIZED FINISH
6. THE CABINET IS TO BE MOUNTED THROUGH THE Ø0.375" HOLES IN THE BACK OF THE ENCLOSURE.

WALL MOUNT MAINTENANCE BYPASS BREAKER PANEL			
80-100KVA, 120V/208V, 3Ø/4W/G, 3 BREAKER WITH SKRU			
INTERLOCK CONFIGURATION 11			
THE INFORMATION CONTAINED IN THIS DRAWING IS THE SOLE PROPERTY OF C&C POWER, INC. ANY REPRODUCTION WITHOUT THE WRITTEN CONSENT OF C&C POWER, INC IS PROHIBITED.			
DIMENSIONS ARE IN INCHES		INITIALS	DATE
TOLERANCES:		DRAWN	CH
DECIMALS:	ANGLES:	CHECKED	CH
.XX ±.13	±1°		4/11/2019
.XXX ±.082			
SCALE:	SHEET:	REV:	
NTS	A	6	
SHEET 2 OF 2			



Electrification Product Group  
EP Industrial Solutions Division  
Manufactured by C&C Power for ABB



**CIRCUIT BREAKER SUMMARY**

UPS SERIES	KVA	AIC	BREAKER MODEL	LOCATION	TRIP	WIRE RANGE
LP33	80	65K @ 240VAC	KD3300	MBB, MIB, & UIB	300A	(1) 250 - 500
	100	65K @ 240VAC	KD3400	MBB, MIB, & UIB	400A	(2) 3/0 - 250
TME	60	65K @ 240VAC	KD3300	UIB	300A	(1) 250 - 500
			KD3225	MBB & MIB	225A	
	75	65K @ 240VAC	KD3350	UIB	350A	(1) 250 - 500
			KD3300	MBB & MIB	300A	
	90	65K @ 240VAC	KD3400	UIB	400A	(2) 3/0 - 250
KD3350			MBB & MIB	350A		

**NOTES:**

- "UIB" UPS INPUT BREAKER
- "MBB" MAINTENANCE BYPASS BREAKER
- "MIB" MAINTENANCE ISOLATION BREAKER
- ALL INTERNAL ELECTRICAL CONNECTIONS BETWEEN "UIB", "MBB" AND "MIB" ARE MADE USING COPPER BUS BARS.
- 800A RATED NEUTRAL BUS PROVIDED WITH MECHANICAL LUGS THAT ACCEPT A TOTAL OF (8) #6 - 350 MCM CABLES.
- GROUND LUG ACCEPTS (3) #6 - 350 MCM CABLES.
- MECHANICAL LUGS USED FOR THE UTILITY INPUT & THE OUTPUT TO LOAD HAVE THE SAME WIRE RANGE AS THE CIRCUIT BREAKERS.
- VOLTAGE BETWEEN THE AØ AND NEUTRAL MUST BE 120V±10% FOR THE SKRU CIRCUIT TO FUNCTION PROPERLY.
- THIS DRAWING IS TO BE USED FOR ELECTRICAL PURPOSES ONLY AND DOES NOT REPRESENT THE ACTUAL MECHANICAL LAYOUT OF THE EQUIPMENT.

**KIRK KEY NOTES:**

- THE "E" OR "W" NEXT TO THE INTERLOCK INDICATES THE POSITION OF THE INTERLOCK BOLT WHEN THE KEY IS REMOVABLE. "E" = EXTENDED AND "W" = WITHDRAWN.
- THE KEY OR KEYS NEXT TO THE INTERLOCK INDICATES THE KEY NUMBER THAT FUNCTIONS WITH THE INTERLOCK.

**WALL MOUNT MAINTENANCE BYPASS BREAKER PANEL  
80-100KVA, 120V/208V, 3Ø/4W/G, 3 BREAKER WITH SKRU  
INTERLOCK CONFIGURATION 11**

THE INFORMATION CONTAINED IN THIS DRAWING IS THE SOLE PROPERTY OF C&C POWER, INC. ANY REPRODUCTION WITHOUT THE WRITTEN CONSENT OF C&C POWER, INC IS PROHIBITED.

DIMENSIONS ARE IN INCHES		INITIALS	DATE
TOLERANCES:		DRAWN	CH
DECIMALS: .XX ±.13	ANGLES: ±1°	CHECKED	CH
.XXX ±.082			4/11/2019

SCALE: SEE A NTS

REV: 9 SHEET 2 OF 2

