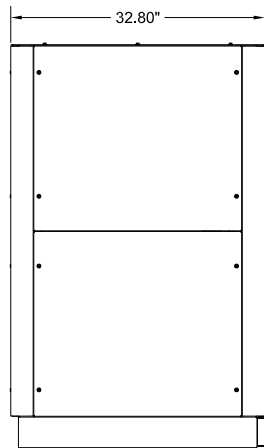
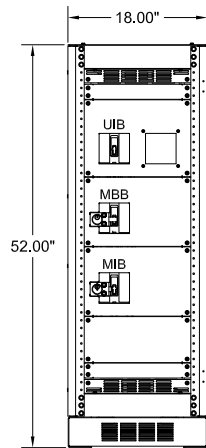


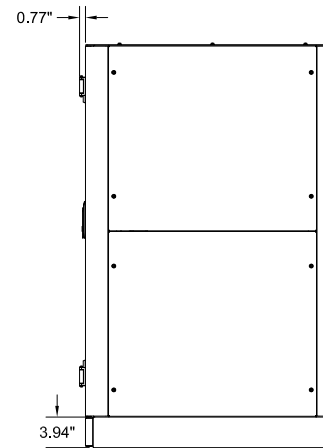
TOP VIEW



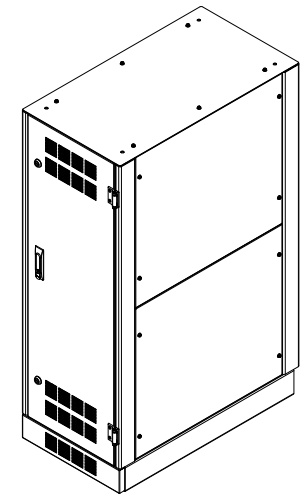
LEFT SIDE VIEW



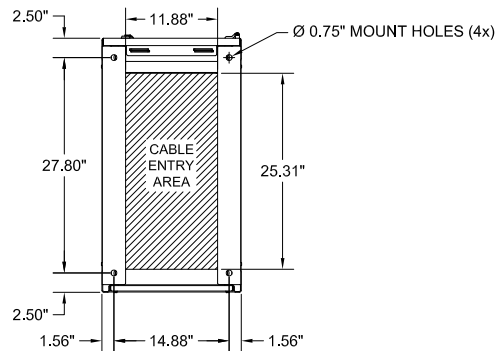
FRONT VIEW
(DOOR REMOVED)



RIGHT SIDE VIEW




ISOMETRIC VIEW



BOTTOM VIEW

NOTES:

1. APPROXIMATE WEIGHT: 300 LBS.
2. ASSEMBLY IS UL/CUL LISTED TO UL 891 AND C22.2 NO. 244.
3. NEMA 1 TYPE ENCLOSURE.
4. THE CABINET IS CONSTRUCTED FROM GALVANIZED STEEL.
5. THE CABINET IS TO BE MOUNTED THROUGH THE 0.750" HOLES IN THE CABINET LEGS. THE LEGS ARE FORMED FROM 10 GAUGE STEEL.
6. FINISH IS BLACK POWDER COAT ON ALL EXTERNAL AND VISIBLE SURFACES, INTERIOR PANELS AND MOUNT BRACKETS ARE GALVANIZED FINISH.
7. CABINET LEGS ARE REVERSIBLE FOR EASY ACCESS TO CABINET FLOOR MOUNTING HARDWARE.

MAINTENANCE BYPASS CABINET FOR LP33 S2 UPS 15KVA, 120V/208V, 3Ø/4W/G, 3 BREAKER			
INTERLOCK CONFIGURATION 2			
<small>THE INFORMATION CONTAINED IN THIS DRAWING IS THE SOLE PROPERTY OF C&C POWER, INC. ANY REPRODUCTION WITHOUT THE WRITTEN CONSENT OF C&C POWER, INC IS PROHIBITED.</small>			
<small>DIMENSIONS ARE IN INCHES</small> <small>TOLERANCES:</small> <small>DECIMALS: .XX ±.13</small> <small>.XXX ±.082</small>	<small>INITIALS</small> <small>DRAWN TD</small> <small>CHECKED CH</small>	<small>DATE</small> <small>10/08/2019</small> <small>10/16/2019</small>	<small>Electriciations Product Group</small> <small>EP Industrial Solutions Division</small> <small>Manufactured by C&C Power for ABB</small>
<small>SCALE: NTS</small> <small>SHEET 1 OF 2</small>	<small>REV: 2</small>	<small>SHEET 1 OF 2</small>	<small>©2019 C&C POWER, INC. ALL RIGHTS RESERVED</small>

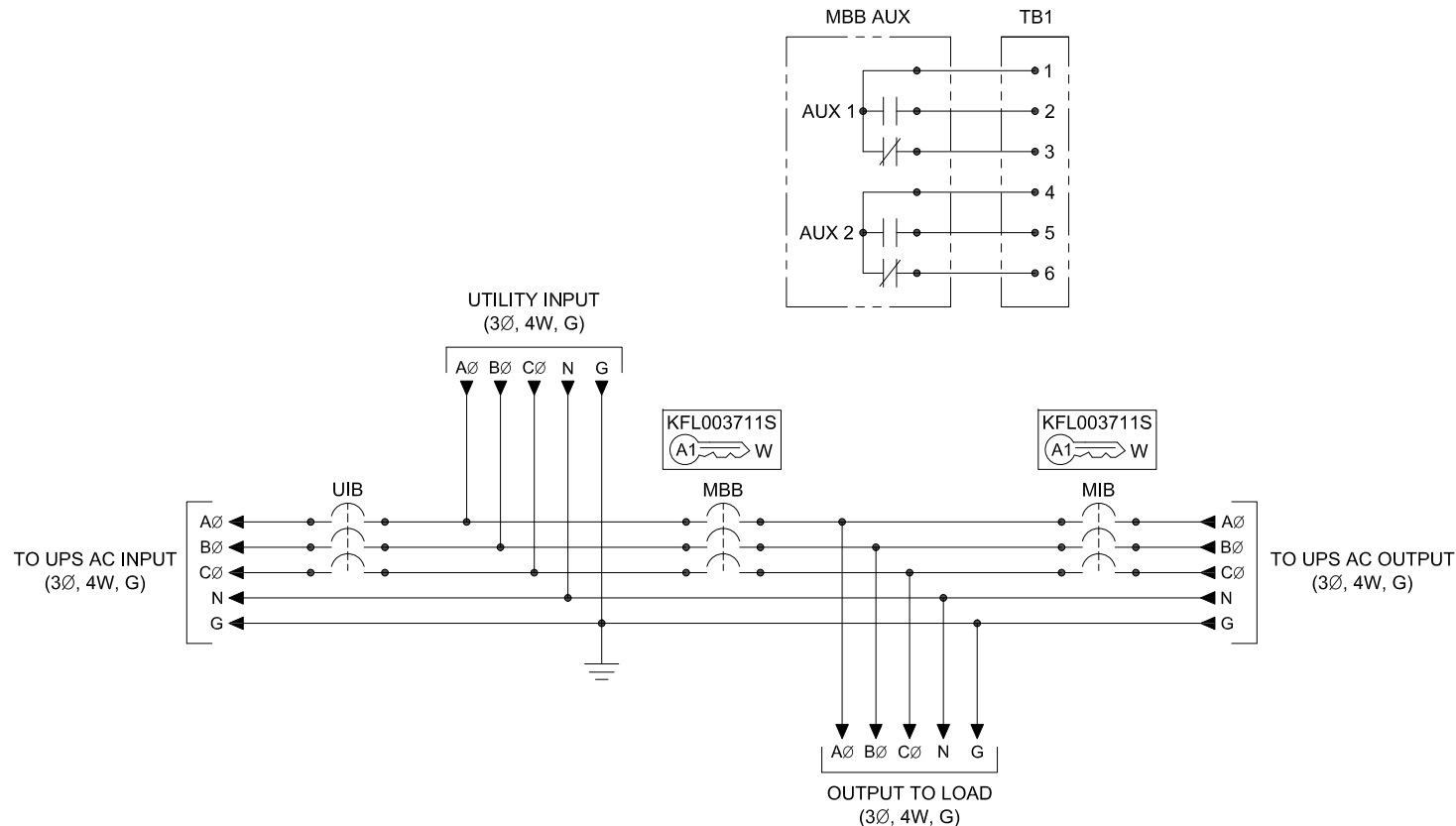
DRAWING #: 99860-FC-SD01-1 REV 2

CIRCUIT BREAKER SUMMARY

KVA	AIC	BREAKER MODEL	LOCATION	TRIP	WIRE RANGE
15	18K @ 240VAC	EHD3060	UIB, MBB, & MIB	60A	(1) 14 - 1/0
	65K @ 240VAC	ED3060			

CABLE KIT SUMMARY

KVA	UIB TO UPS AC INPUT	MIB TO UPS AC OUTPUT	N TO UPS
15	(1) 8 AWG THHN PER PHASE (9 FT. EA.)	(1) 8 AWG THHN PER PHASE (7 FT. EA.)	(2) 4 AWG THHN (8 FT. EA.)



NOTES:

- "UIB" UPS INPUT BREAKER
- "MBB" MAINTENANCE BYPASS BREAKER
- "MIB" MAINTENANCE ISOLATION BREAKER
- ALL INTERNAL ELECTRICAL CONNECTIONS BETWEEN "UIB", "MBB" AND "MIB" ARE MADE USING COPPER BUS BARS.
- 600A RATED NEUTRAL BUS PROVIDED WITH MECHANICAL LUGS THAT ACCEPT A TOTAL OF (4) #6 - 350 MCM CABLES.
- GROUND LUG ACCEPTS (4) #6 - 250 MCM CABLES.
- MECHANICAL LUGS USED FOR THE UTILITY INPUT & THE OUTPUT TO LOAD HAVE THE SAME WIRE RANGE AS THE CIRCUIT BREAKERS.
- THIS DRAWING IS TO BE USED FOR ELECTRICAL PURPOSES ONLY AND DOES NOT REPRESENT THE ACTUAL MECHANICAL LAYOUT OF THE EQUIPMENT.

KIRK KEY NOTES:

- THE "E" OR "W" NEXT TO THE INTERLOCK INDICATES THE POSITION OF THE INTERLOCK BOLT WHEN THE KEY IS REMOVABLE. "E" = EXTENDED AND "W" = WITHDRAWN.
- THE KEY OR KEYS NEXT TO THE INTERLOCK INDICATES THE KEY NUMBER THAT FUNCTIONS WITH THE INTERLOCK.

MAINTENANCE BYPASS CABINET FOR LP33 S2 UPS		
15KVA, 120V/208V, 3Ø/4W/G, 3 BREAKER		
INTERLOCK CONFIGURATION 2		
THE INFORMATION CONTAINED IN THIS DRAWING IS THE SOLE PROPERTY OF C&C POWER, INC. ANY REPRODUCTION WITHOUT THE WRITTEN CONSENT OF C&C POWER, INC IS PROHIBITED.		
DIMENSIONS ARE IN INCHES	INITIALS	DATE
TOLERANCES:	DRAWN TD	10/08/2019
DECIMALS: .XX ±.13	CHECKED CH	10/16/2019
ANGLES: .XXX ±.082		
SCALE: SEE A	REV: 2	SHEET 2 OF 2
NTS		© 2019 C&C POWER, INC. ALL RIGHTS RESERVED



Electrical Solutions Group
EP Industrial Solutions Division
Manufactured by C&C Power for ABB

DRAWING #: 99893-FC-S201-2 REV 2