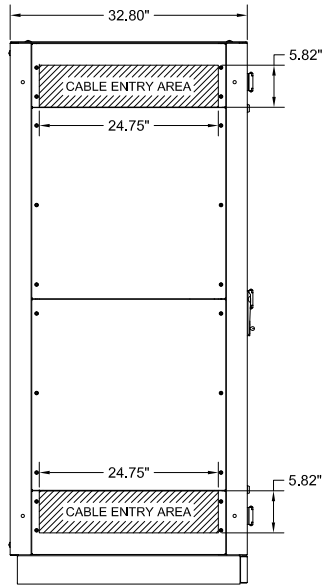
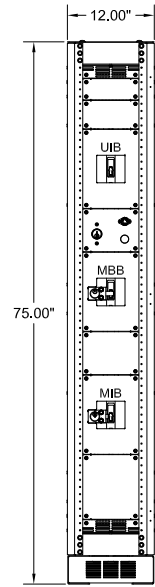


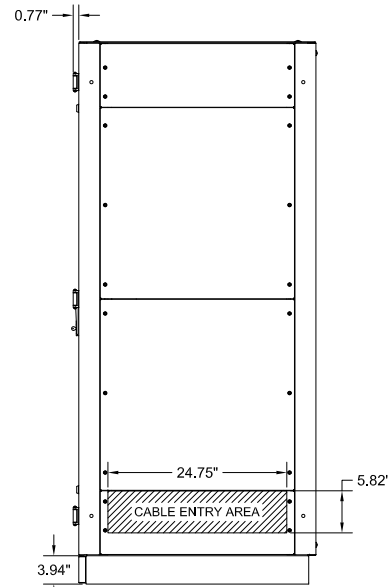
TOP VIEW



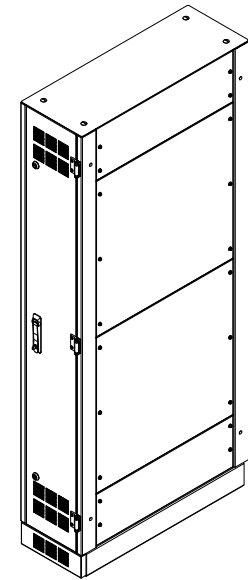
LEFT SIDE VIEW



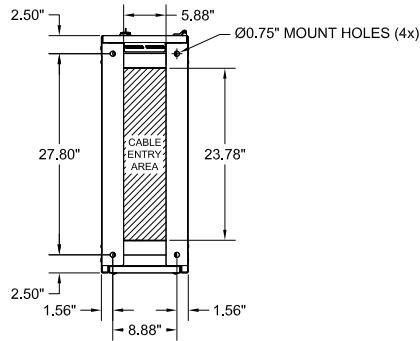
FRONT VIEW
(DOOR REMOVED)



RIGHT SIDE VIEW



ISOMETRIC VIEW



BOTTOM VIEW

NOTES:

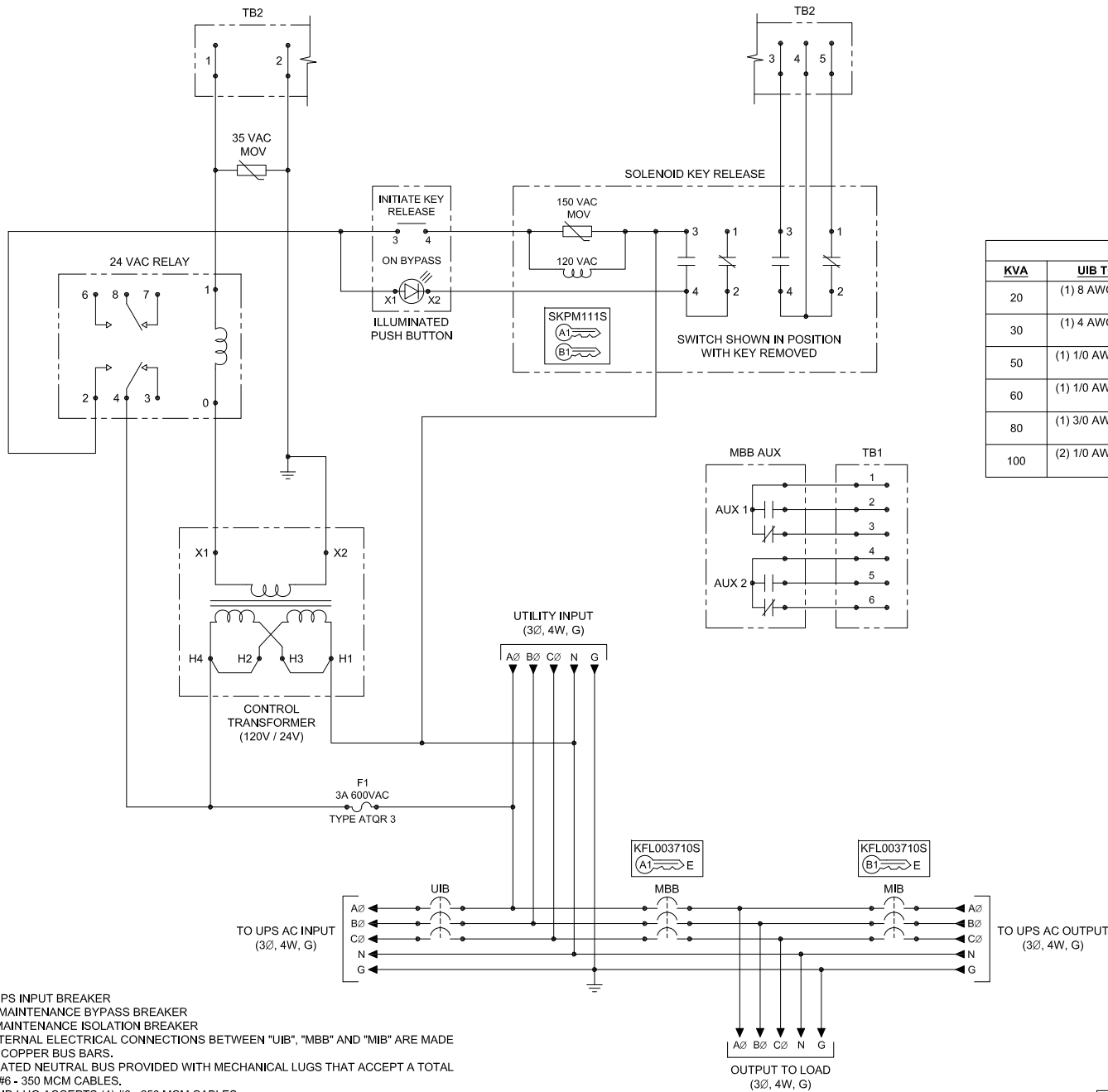
1. APPROXIMATE WEIGHT: 350 LBS.
2. ASSEMBLY IS UL/CUL LISTED TO UL 891 AND C22.2 NO. 244.
3. NEMA 1 TYPE ENCLOSURE.
4. THE CABINET IS CONSTRUCTED FROM GALVANIZED STEEL.
5. THE CABINET IS TO BE MOUNTED THROUGH THE 0.750" HOLES IN THE CABINET LEGS. THE LEGS ARE FORMED FROM 10 GAUGE STEEL.
6. FINISH IS BLACK POWDER COAT ON ALL EXTERNAL AND VISIBLE SURFACES, INTERIOR PANELS AND MOUNT BRACKETS ARE GALVANIZED FINISH.
7. CABINET LEGS ARE REVERSIBLE FOR EASY ACCESS TO CABINET FLOOR MOUNTING HARDWARE.

MAINTENANCE BYPASS CABINET FOR LP33 S2 UPS			
20-100KVA, 120V/208V, 3Ø/4W/G, 3 BREAKER WITH SKRU			
INTERLOCK CONFIGURATION 11			
THE INFORMATION CONTAINED IN THIS DRAWING IS THE SOLE PROPERTY OF C&C POWER, INC. ANY REPRODUCTION WITHOUT THE WRITTEN CONSENT OF C&C POWER, INC IS PROHIBITED.			
DIMENSIONS ARE IN INCHES	INITIALS	DATE	
TOLERANCES:	DRAWN CH	10/15/2019	
DECIMALS: .XX ±.13	CHECKED CH	10/15/2019	
ANGLES: .XXX ±.082			
SCALE: NTS	SIZE: A	REV: 4	SHEET 1 OF 2

Electrification Product Group
EP Industrial Solutions Division
Manufactured by C&C Power for ABB

©2019 C&C POWER, INC. ALL RIGHTS RESERVED

DRAWING # 99851-FC-11-SD01-1-REV 4



CIRCUIT BREAKER SUMMARY					
KVA	AIC	BREAKER MODEL	LOCATION	TRIP	WIRE RANGE
20	18K @ 240VAC	EHD3080	UIB, MBB, & MIB	80A	(1) 14 - 1/0
	65K @ 240VAC	FD3080	UIB, MBB, & MIB	80A	(1) 14 - 1/0
30	22K @ 240VAC	EDB3125	UIB, MBB, & MIB	125A	(1) 4 - 4/0
	65K @ 240VAC	ED3125	UIB, MBB, & MIB	125A	(1) 4 - 4/0
50	22K @ 240VAC	EDB3200	UIB, MBB, & MIB	200A	(1) 4 - 4/0
	65K @ 240VAC	ED3200	UIB, MBB, & MIB	200A	(1) 4 - 4/0
60	22K @ 240VAC	EDB3225	UIB, MBB, & MIB	225A	(1) 4 - 4/0
	65K @ 240VAC	ED3225	UIB, MBB, & MIB	225A	(1) 4 - 4/0
80	65K @ 240VAC	KD3300	UIB, MBB, & MIB	300A	(2) 3/0 - 250
100	65K @ 240VAC	KD3400	UIB, MBB, & MIB	400A	(2) 3/0 - 250


CABLE KIT SUMMARY				
KVA	UIB TO UPS AC INPUT	MIB TO UPS AC OUTPUT	N TO UPS	TB2 TO UPS
20	(1) 8 AWG THHN PER PHASE (11 FT. EA.)	(1) 8 AWG THHN PER PHASE (7 FT. EA.)	(1) 8 AWG THHN (12 FT. EA.)	(5) 18 AWG MTW (16 FT. EA.)
30	(1) 4 AWG THHN PER PHASE (11 FT. EA.)	(1) 4 AWG THHN PER PHASE (7 FT. EA.)	(1) 4 AWG THHN (12 FT. EA.)	
50	(1) 1/0 AWG THHN PER PHASE (11 FT. EA.)	(1) 1/0 AWG THHN PER PHASE (7 FT. EA.)	(1) 1/0 AWG THHN (12 FT. EA.)	
60	(1) 1/0 AWG THHN PER PHASE (11 FT. EA.)	(1) 1/0 AWG THHN PER PHASE (7 FT. EA.)	(1) 1/0 AWG THHN (12 FT. EA.)	
80	(1) 3/0 AWG THHN PER PHASE (11 FT. EA.)	(1) 3/0 AWG THHN PER PHASE (7 FT. EA.)	(1) 3/0 AWG THHN (12 FT. EA.)	
100	(2) 1/0 AWG THHN PER PHASE (11 FT. EA.)	(2) 1/0 AWG THHN PER PHASE (7 FT. EA.)	(2) 1/0 AWG THHN (12 FT. EA.)	

NOTES:

- "UIB" UPS INPUT BREAKER
- "MBB" MAINTENANCE BYPASS BREAKER
- "MIB" MAINTENANCE ISOLATION BREAKER
- ALL INTERNAL ELECTRICAL CONNECTIONS BETWEEN "UIB", "MBB" AND "MIB" ARE MADE USING COPPER BUS BARS.
- 600A RATED NEUTRAL BUS PROVIDED WITH MECHANICAL LUGS THAT ACCEPT A TOTAL OF (4) #6 - 350 MCM CABLES.
- GROUND LUG ACCEPTS (4) #6 - 250 MCM CABLES.
- MECHANICAL LUGS USED FOR THE UTILITY INPUT & THE OUTPUT TO LOAD HAVE THE SAME WIRE RANGE AS THE CIRCUIT BREAKERS.
- VOLTAGE BETWEEN THE AØ AND N MUST BE 120V±10% FOR THE SKRU CIRCUIT TO FUNCTION PROPERLY.
- THIS DRAWING IS TO BE USED FOR ELECTRICAL PURPOSES ONLY AND DOES NOT REPRESENT THE ACTUAL MECHANICAL LAYOUT OF THE EQUIPMENT.

KIRK KEY NOTES:

- THE "E" OR "W" NEXT TO THE INTERLOCK INDICATES THE POSITION OF THE INTERLOCK BOLT WHEN THE KEY IS REMOVABLE. "E" = EXTENDED AND "W" = WITHDRAWN.
- THE KEY OR KEYS NEXT TO THE INTERLOCK INDICATES THE KEY NUMBER THAT FUNCTIONS WITH THE INTERLOCK.

MAINTENANCE BYPASS CABINET FOR LP33 S2 UPS 20-100KVA, 120V/208V, 3Ø/4W/G, 3 BREAKER WITH SKRU INTERLOCK CONFIGURATION 11			
<small>THE INFORMATION CONTAINED IN THIS DRAWING IS THE SOLE PROPERTY OF C&C POWER, INC. ANY REPRODUCTION WITHOUT THE WRITTEN CONSENT OF C&C POWER, INC IS PROHIBITED.</small>			
<small>DIMENSIONS ARE IN INCHES</small> <small>TOLERANCES:</small> <small>DECIMALS: .XX ±.13</small> <small>.XXX ±.082</small>	<small>INITIALS</small> <small>DRAWN CH</small> <small>CHECKED CH</small>	<small>DATE</small> <small>10/23/2019</small> <small>10/23/2019</small>	 <small>Electrification Product Group</small> <small>EP Industrial Solutions Division</small> <small>Manufactured by C&C Power for ABB</small>
<small>SCALE: NTS</small> <small>SHEET 2 OF 2</small>	<small>REV: 5</small>	<small>©2019 C&C POWER, INC. ALL RIGHTS RESERVED</small>	

DRAWING # 99851-F-C11-SD01-2 REV 5