

NOTES:

1. APPROXIMATE WEIGHT: 165 LBS.
2. ASSEMBLY IS UL/CUL LISTED TO UL 891 AND C22.2 NO. 244.
3. NEMA 1 WALL MOUNT ENCLOSURE.
4. THE BOX & TRIM ARE CONSTRUCTED OF GALVANIZED STEEL.
5. THE TRIM FINISH IS POWDER COATED ON ALL EXTERNAL AND VISIBLE SURFACES, BOX AND ALL INTERNAL MOUNT BRACKETS ARE GALVANIZED FINISH
6. THE CABINET IS TO BE MOUNTED THROUGH THE Ø0.531" HOLES IN THE BACK OF THE ENCLOSURE.
7. A MINIMUM CLEARANCE OF 36" IS REQUIRED AT THE FRONT OF THE CABINET.

WALL MOUNT MBP WITH 30 CCT PANELBOARD FOR LP33-II SERIES UPS  
15-50KVA, 208Y/120V, 3Ø/4W/G, 3 BREAKER WITH SKRU

INTERLOCK CONFIGURATION 11

THE INFORMATION CONTAINED IN THIS DRAWING IS THE SOLE PROPERTY OF C&C POWER, INC. ANY REPRODUCTION WITHOUT THE WRITTEN CONSENT OF C&C POWER, INC IS PROHIBITED.

DIMENSIONS ARE IN INCHES		INITIALS	DATE
TOLERANCES:		DRAWN CH	9/21/2017
DECIMALS: .XX ±.13	ANGLES: ±1°	CHECKED CH	9/21/2017
.XXX ±.082			



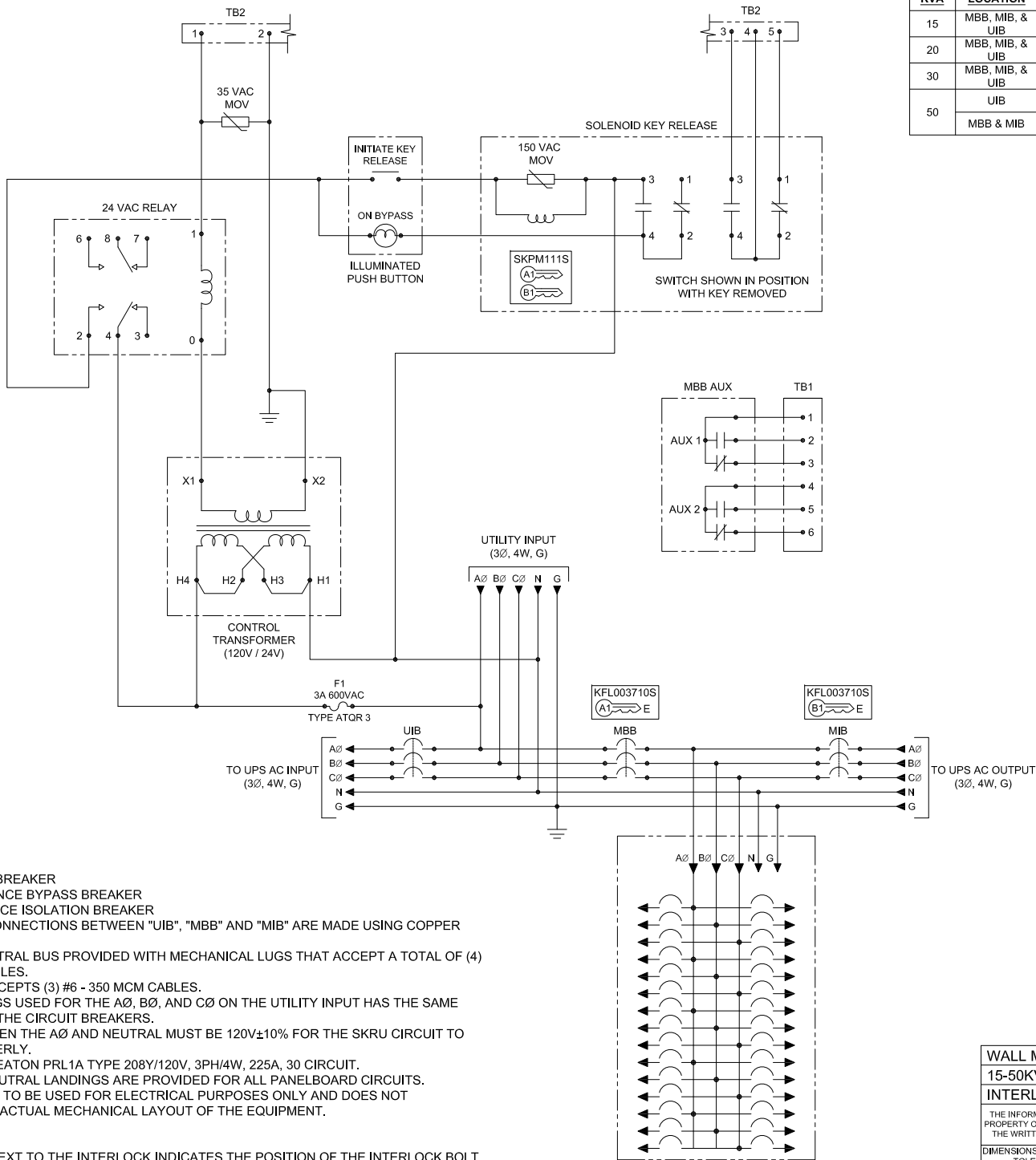
Manufactured by C&C Power for GE

SCALE: SEE A  
NTS

REV: 1

SHEET 1 OF 2

© 2017 C&C POWER, INC. ALL RIGHTS RESERVED



CIRCUIT BREAKER SUMMARY						
KVA	LOCATION	BREAKER MODEL	TRIP	AIC	ASSY AIC	WIRE RANGE
15	MBB, MIB, & UIB	EHD3060	60A	18K @ 240VAC	10K @ 240VAC	(1) 14 - 1/0
20	MBB, MIB, & UIB	EHD3070	70A	18K @ 240VAC		(1) 14 - 1/0
30	MBB, MIB, & UIB	EDB3125	125A	22K @ 240VAC		(1) 4 - 4/0
50	UIB	EDB3200	200A	22K @ 240VAC		(1) 4 - 4/0
	MBB & MIB	EDB3175	175A	22K @ 240VAC		(1) 4 - 4/0

**NOTES:**

- "UIB" UPS INPUT BREAKER
- "MBB" MAINTENANCE BYPASS BREAKER
- "MIB" MAINTENANCE ISOLATION BREAKER
- ALL INTERNAL CONNECTIONS BETWEEN "UIB", "MBB" AND "MIB" ARE MADE USING COPPER BUS BARS.
- 600A RATED NEUTRAL BUS PROVIDED WITH MECHANICAL LUGS THAT ACCEPT A TOTAL OF (4) #6 - 350 MCM CABLES.
- GROUND LUG ACCEPTS (3) #6 - 350 MCM CABLES.
- MECHANICAL LUGS USED FOR THE AØ, BØ, AND CØ ON THE UTILITY INPUT HAS THE SAME WIRE RANGE AS THE CIRCUIT BREAKERS.
- VOLTAGE BETWEEN THE AØ AND NEUTRAL MUST BE 120V±10% FOR THE SKRU CIRCUIT TO FUNCTION PROPERLY.
- PANELBOARD IS EATON PRL1A TYPE 208Y/120V, 3PH/4W, 225A, 30 CIRCUIT.
- GROUND AND NEUTRAL LANDINGS ARE PROVIDED FOR ALL PANELBOARD CIRCUITS.
- THIS DRAWING IS TO BE USED FOR ELECTRICAL PURPOSES ONLY AND DOES NOT REPRESENT THE ACTUAL MECHANICAL LAYOUT OF THE EQUIPMENT.

**KIRK KEY NOTES:**

- THE "E" OR "W" NEXT TO THE INTERLOCK INDICATES THE POSITION OF THE INTERLOCK BOLT WHEN THE KEY IS REMOVABLE. "E" = EXTENDED AND "W" = WITHDRAWN.
- THE KEY OR KEYS NEXT TO THE INTERLOCK INDICATES THE KEY NUMBER THAT FUNCTIONS WITH THE INTERLOCK.

WALL MOUNT MBP WITH 30 CCT PANELBOARD FOR LP33-II SERIES UPS  
15-50KVA, 208Y/120V, 3Ø/4W/G, 3 BREAKER WITH SKRU

**INTERLOCK CONFIGURATION 11**

THE INFORMATION CONTAINED IN THIS DRAWING IS THE SOLE PROPERTY OF C&C POWER, INC. ANY REPRODUCTION WITHOUT THE WRITTEN CONSENT OF C&C POWER, INC IS PROHIBITED.			
DIMENSIONS ARE IN INCHES		INITIALS	DATE
TOLERANCES:		DRAWN	9/21/2017
DECIMALS: .XX ±.13	ANGLES: ±1°	CHECKED	9/21/2017
.XXX ±.082			
SCALE: SEE A	REV: 1	SHEET 2 OF 2	



Manufactured by C&C Power for GE  
©2017 C&C POWER, INC. ALL RIGHTS RESERVED

DRAWING #: 99841-FC-11-SD01-2 REV 1