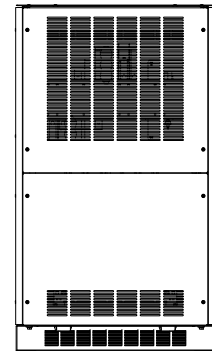
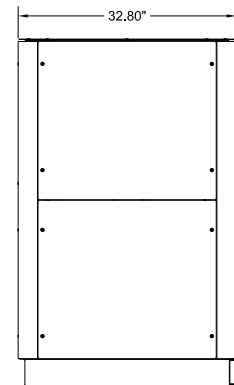


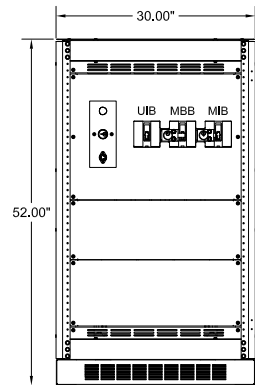
TOP VIEW



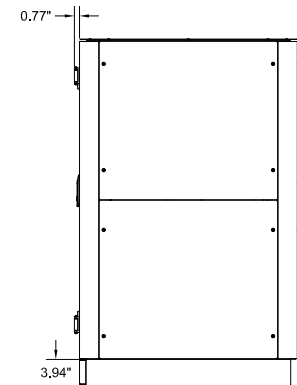
REAR VIEW



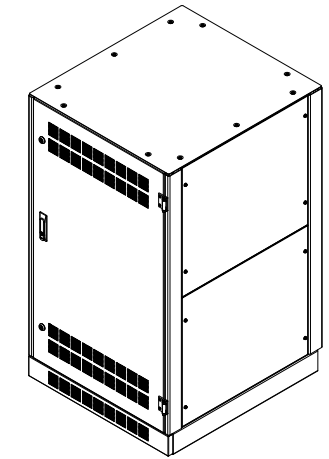
LEFT SIDE VIEW



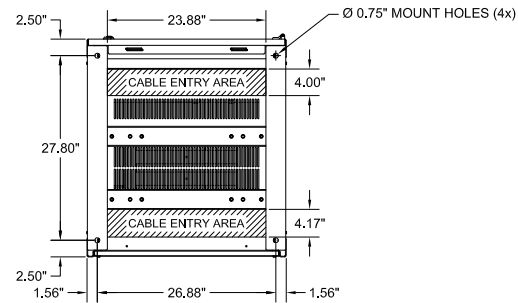
FRONT VIEW



RIGHT SIDE VIEW



ISOMETRIC VIEW



BOTTOM VIEW

- NOTES:
1. APPROXIMATE WEIGHT: 650 LBS.
 2. ASSEMBLY IS UL/CUL LISTED TO UL 891 AND C22.2 NO. 244.
 3. NEMA 1 TYPE ENCLOSURE.
 4. THE CABINET IS CONSTRUCTED FROM GALVANIZED STEEL.
 5. THE CABINET IS TO BE MOUNTED THROUGH THE 0.750" HOLES IN THE CABINET LEGS. THE LEGS ARE FORMED FROM 10 GAUGE STEEL.
 6. FINISH IS POWDER COAT ON ALL EXTERNAL AND VISIBLE SURFACES, INTERIOR PANELS AND MOUNT BRACKETS ARE GALVANIZED FINISH.
 7. A MINIMUM REAR CLEARANCE OF 6" IS REQUIRED FOR OPTIMAL COOLING OF THE EQUIPMENT.

MAINTENANCE BYPASS CABINET WITH XFRMR FOR LP33-II SERIES UPS			
15KVA 3 BREAKER BYPASS WITH SKRU			
480D/600D-208Y/120V INPUT TRANSFORMER			
THE INFORMATION CONTAINED IN THIS DRAWING IS THE SOLE PROPERTY OF C&C POWER, INC. ANY REPRODUCTION WITHOUT THE WRITTEN CONSENT OF C&C POWER, INC IS PROHIBITED.			
DIMENSIONS ARE IN INCHES		INITIALS	DATE
TOLERANCES:		DRAWN CH	9/8/2016
DECIMALS: .XX ±.13	ANGLES: ±1°	CHECKED CH	9/6/2016
SCALE: SEE A	REV: 1	SHEET 1 OF 2	
NTS		©2016 C&C POWER, INC. ALL RIGHTS RESERVED	



Manufactured by C&C Power for GE

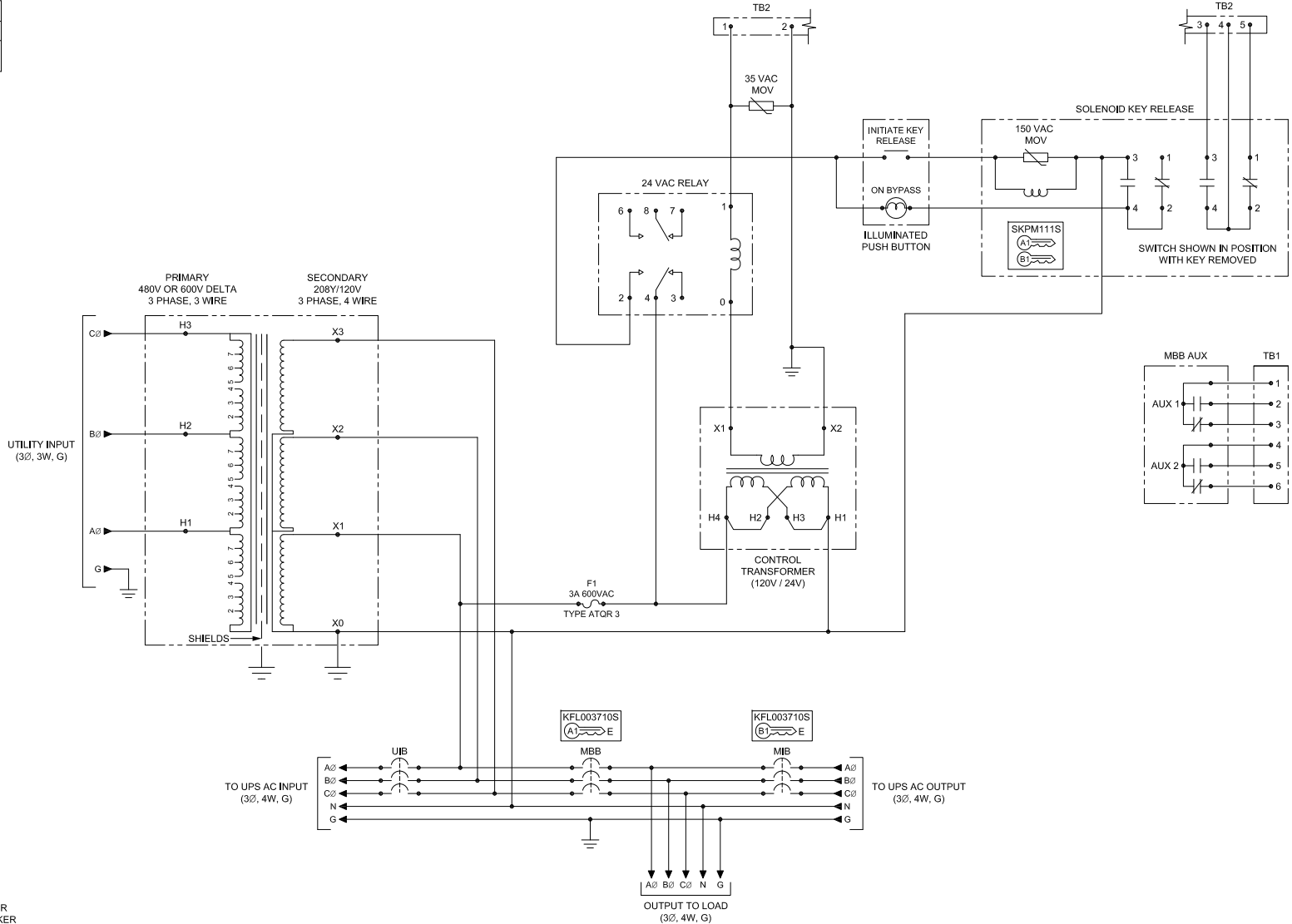
DRAWING # 99811-15KVA-480D-600D-208Y-C11-SD01-1 REV 1

CIRCUIT BREAKER SUMMARY					
UPS KVA	LOCATION	BREAKER MODEL	TRIP	AIC	WIRE RANGE
15	UIB, MBB, & MB	EHD3060	60A	18K @ 240VAC	(1) 14 - 1/0

CABLE KIT SUMMARY				
UPS KVA	UIB TO UPS AC INPUT	MBB TO UPS AC OUTPUT	N TO UPS	TB2 TO UPS
15	(1) 8 AWG THHN PER PHASE (12 FT. EA.)	(1) 8 AWG THHN PER PHASE (12 FT. EA.)	(1) 2 AWG THHN (12 FT. EA.)	(5) 18 AWG MTW (20 FT. EA.)

TRANSFORMER RATINGS								
UPS KVA	XFRMR KVA	PRIMARY VOLTAGE	SECONDARY VOLTAGE	FREQUENCY	MATERIAL	TEMP RISE	K FACTOR	NEUTRAL
15	33	480 600	208Y/120	60 HZ	AL	150°C	K13	250A RATED ACCEPTS (4) 6 - 250

UTILITY INPUT CONNECTION SUMMARY	
UPS KVA	WIRE RANGE
15	(1) 14 - 1/0 PER PHASE



- NOTES:
- "UIB" UPS INPUT BREAKER
 - "MBB" MAINTENANCE BYPASS BREAKER
 - "MIB" MAINTENANCE ISOLATION BREAKER
 - ALL INTERNAL ELECTRICAL CONNECTIONS BETWEEN "UIB", "MBB" AND "MIB" ARE MADE USING COPPER BUS BARS.
 - GROUND LUG ACCEPTS (4) #6 - 350 MCM CABLES.
 - MECHANICAL LUGS USED FOR THE OUTPUT TO LOAD HAVE THE SAME WIRE RANGE AS THE "MIB" CIRCUIT BREAKERS.
 - VOLTAGE BETWEEN THE A0 AND NEUTRAL MUST BE 120V±10% FOR THE SKRU CIRCUIT TO FUNCTION PROPERLY.
 - THIS DRAWING IS TO BE USED FOR ELECTRICAL PURPOSES ONLY AND DOES NOT REPRESENT THE ACTUAL MECHANICAL LAYOUT OF THE EQUIPMENT.

- KIRK KEY NOTES:
- THE "E" OR "W" NEXT TO THE INTERLOCK INDICATES THE POSITION OF THE INTERLOCK BOLT WHEN THE KEY IS REMOVABLE. "E" = EXTENDED AND "W" = WITHDRAWN.
 - THE KEY OR KEYS NEXT TO THE INTERLOCK INDICATES THE KEY NUMBER THAT FUNCTIONS WITH THE INTERLOCK.

MAINTENANCE BYPASS CABINET WITH XFRMR FOR LP33-II SERIES UPS			
15KVA 3 BREAKER BYPASS WITH SKRU			
480D/600D-208Y/120V INPUT TRANSFORMER			
THE INFORMATION CONTAINED IN THIS DRAWING IS THE SOLE PROPERTY OF C&C POWER, INC. ANY REPRODUCTION WITHOUT THE WRITTEN CONSENT OF C&C POWER, INC IS PROHIBITED.			
DIMENSIONS ARE IN INCHES		INITIALS	DATE
TOLERANCES:		DRAWN CH	9/8/2016
DECIMALS: .XX ±.13	ANGLES: ±1°	CHECKED CH	9/6/2016
SCALE: SEE A	REV: 1	SHEET 2 OF 2	
NTS		©2016 C&C POWER, INC. ALL RIGHTS RESERVED	



Manufactured by C&C Power for GE

DRAWING # 98811-15KVA-480D-600D-208Y-C11-SD01-2 REV 1