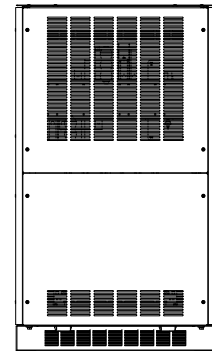
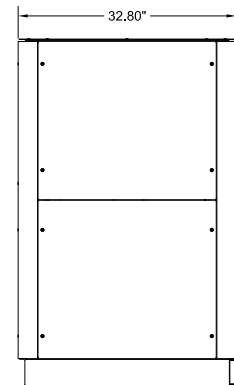


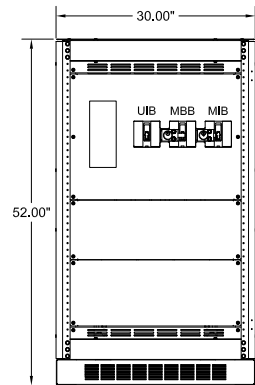
TOP VIEW



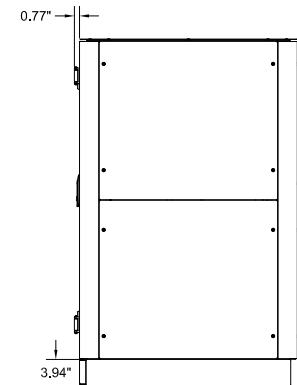
REAR VIEW



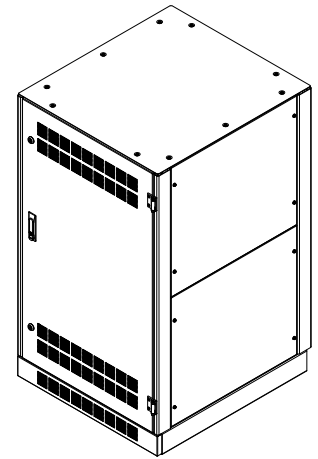
LEFT SIDE VIEW



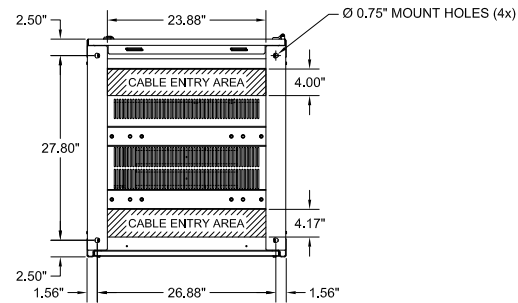
FRONT VIEW



RIGHT SIDE VIEW




ISOMETRIC VIEW



BOTTOM VIEW

- NOTES:
1. APPROXIMATE WEIGHT: 650 LBS.
 2. ASSEMBLY IS UL/CUL LISTED TO UL 891 AND C22.2 NO. 244.
 3. NEMA 1 TYPE ENCLOSURE.
 4. THE CABINET IS CONSTRUCTED FROM GALVANIZED STEEL.
 5. THE CABINET IS TO BE MOUNTED THROUGH THE 0.750" HOLES IN THE CABINET LEGS. THE LEGS ARE FORMED FROM 10 GAUGE STEEL.
 6. FINISH IS POWDER COAT ON ALL EXTERNAL AND VISIBLE SURFACES, INTERIOR PANELS AND MOUNT BRACKETS ARE GALVANIZED FINISH.
 7. A MINIMUM REAR CLEARANCE OF 6" IS REQUIRED FOR OPTIMAL COOLING OF THE EQUIPMENT.

MAINTENANCE BYPASS CABINET WITH XFRMR FOR LP33-II SERIES UPS			
15KVA 3 BREAKER BYPASS			
480D/600D-208Y/120V INPUT TRANSFORMER			
THE INFORMATION CONTAINED IN THIS DRAWING IS THE SOLE PROPERTY OF C&C POWER, INC. ANY REPRODUCTION WITHOUT THE WRITTEN CONSENT OF C&C POWER, INC IS PROHIBITED.			
DIMENSIONS ARE IN INCHES		INITIALS	DATE
TOLERANCES:	DECIMALS: .XX ±.13	DRAWN CH	9/20/2017
ANGLES: .XXX ±.082	±1"	CHECKED CH	9/20/2017
SCALE: SEE A	REV: 1	SHEET 1 OF 2	



Manufactured by C&C Power for GE

©2017 C&C POWER, INC. ALL RIGHTS RESERVED

DRAWING # 99811-15KVA-480D-600D-208Y-C2-SD01-1 REV 1

CIRCUIT BREAKER SUMMARY

UPS KVA	LOCATION	BREAKER MODEL	TRIP	AIC	WIRE RANGE
15	UIB, MBB, & MIB	EHD3060	60A	18K @ 240VAC	(1) 14 - 1/0

CABLE KIT SUMMARY

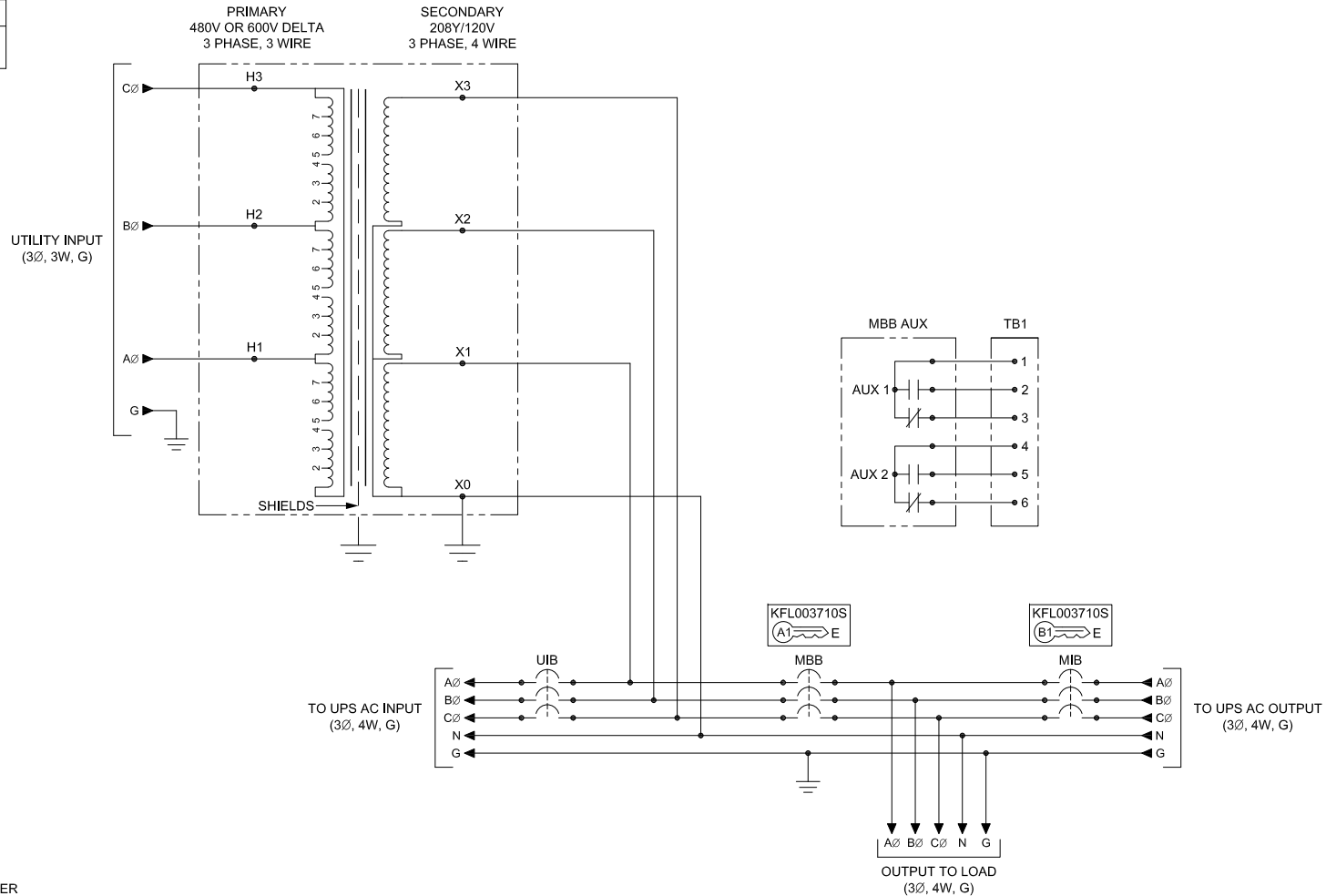
UPS KVA	UIB TO UPS AC INPUT	MIB TO UPS AC OUTPUT	N TO UPS
15	(1) 8 AWG THHN PER PHASE (12 FT. EA.)	(1) 8 AWG THHN PER PHASE (12 FT. EA.)	(1) 2 AWG THHN (12 FT. EA.)

TRANSFORMER RATINGS

UPS KVA	XFRMR KVA	PRIMARY VOLTAGE	SECONDARY VOLTAGE	FREQUENCY	MATERIAL	TEMP RISE	K FACTOR	NEUTRAL
15	33	480 600	208Y/120	60 HZ	AL	150°C	K13	250A RATED ACCEPTS (4) 6 - 250

UTILITY INPUT CONNECTION SUMMARY

UPS KVA	WIRE RANGE
15	(1) 14 - 1/0 PER PHASE



NOTES:

- "UIB" UPS INPUT BREAKER
- "MBB" MAINTENANCE BYPASS BREAKER
- "MIB" MAINTENANCE ISOLATION BREAKER
- ALL INTERNAL ELECTRICAL CONNECTIONS BETWEEN "UIB", "MBB" AND "MIB" ARE MADE USING COPPER BUS BARS.
- GROUND LUG ACCEPTS (4) #6 - 350 MCM CABLES.
- MECHANICAL LUGS USED FOR THE OUTPUT TO LOAD HAVE THE SAME WIRE RANGE AS THE "MIB" CIRCUIT BREAKERS.
- THIS DRAWING IS TO BE USED FOR ELECTRICAL PURPOSES ONLY AND DOES NOT REPRESENT THE ACTUAL MECHANICAL LAYOUT OF THE EQUIPMENT.

KIRK KEY NOTES:

- THE "E" OR "W" NEXT TO THE INTERLOCK INDICATES THE POSITION OF THE INTERLOCK BOLT WHEN THE KEY IS REMOVABLE. "E" = EXTENDED AND "W" = WITHDRAWN.
- THE KEY OR KEYS NEXT TO THE INTERLOCK INDICATES THE KEY NUMBER THAT FUNCTIONS WITH THE INTERLOCK.

**MAINTENANCE BYPASS CABINET WITH XFRMR FOR LP33-II SERIES UPS
15KVA 3 BREAKER BYPASS**

480D/600D-208Y/120V INPUT TRANSFORMER

THE INFORMATION CONTAINED IN THIS DRAWING IS THE SOLE PROPERTY OF C&C POWER, INC. ANY REPRODUCTION WITHOUT THE WRITTEN CONSENT OF C&C POWER, INC IS PROHIBITED.



DIMENSIONS ARE IN INCHES	INITIALS	DATE
TOLERANCES: DECIMALS: .XX ±.13 XXX ±.082	DRAWN CH	9/20/2017
ANGLES: ±1°	CHECKED CH	9/20/2017

Manufactured by C&C Power for GE