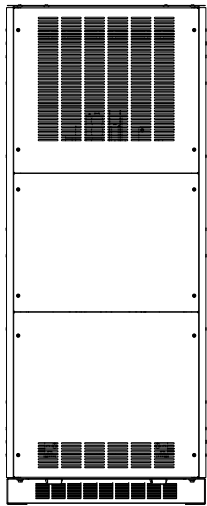
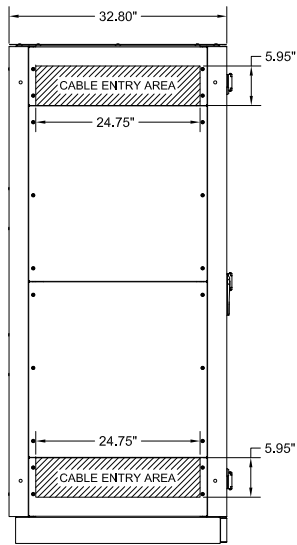


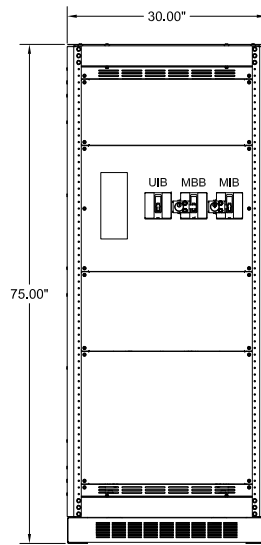
TOP VIEW



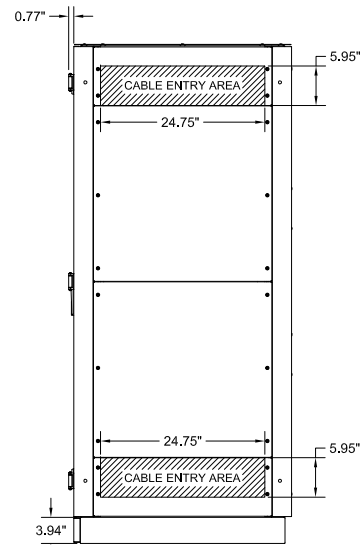
REAR VIEW



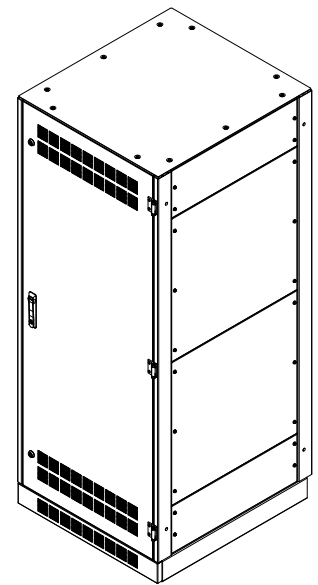
LEFT SIDE VIEW



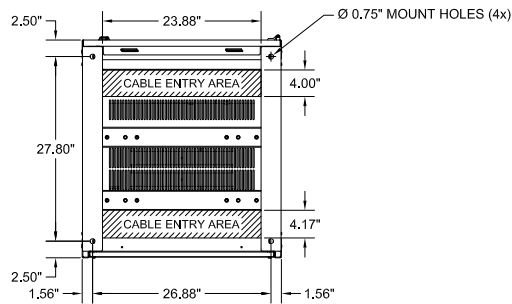
FRONT VIEW



RIGHT SIDE VIEW




ISOMETRIC VIEW



BOTTOM VIEW

NOTES:

1. APPROXIMATE WEIGHT: 800-1400 LBS.
2. ASSEMBLY IS UL/CUL LISTED TO UL 891 AND C22.2 NO. 244.
3. NEMA 1 TYPE ENCLOSURE.
4. THE CABINET IS CONSTRUCTED FROM GALVANIZED STEEL.
5. THE CABINET IS TO BE MOUNTED THROUGH THE 0.750" HOLES IN THE CABINET LEGS. THE LEGS ARE FORMED FROM 10 GAUGE STEEL.
6. FINISH IS POWDER COAT ON ALL EXTERNAL AND VISIBLE SURFACES, INTERIOR PANELS AND MOUNT BRACKETS ARE GALVANIZED FINISH.
7. A MINIMUM REAR CLEARANCE OF 6" IS REQUIRED FOR OPTIMAL COOLING OF THE EQUIPMENT.

| | | | |
|---|------------|---|------------|
| MAINTENANCE BYPASS CABINET WITH XFRMR FOR LP33-II SERIES UPS | | | |
| 20KVA-100KVA 3 BREAKER BYPASS | | | |
| 480D/600D-208Y/120V INPUT TRANSFORMER | | | |
| THE INFORMATION CONTAINED IN THIS DRAWING IS THE SOLE PROPERTY OF C&C POWER, INC. ANY REPRODUCTION WITHOUT THE WRITTEN CONSENT OF C&C POWER, INC IS PROHIBITED. | | | |
| DIMENSIONS ARE IN INCHES | | INITIALS | DATE |
| TOLERANCES: | DECIMALS: | DRAWN CH | 12/14/2016 |
| ANGLES: | XX ±.13 | CHECKED CH | 12/14/2016 |
| | .XXX ±.082 | | |
| SCALE: SEE A | REV: 1 | SHEET 1 OF 2 | |
| | |  Manufactured by C&C Power for GE | |
| ©2016 C&C POWER, INC. ALL RIGHTS RESERVED | | | |

DRAWING # 99811-20KVA-100KVA-480D-600D-208Y-C2-SD01-1 REV 1

TRANSFORMER RATINGS

| UPS KVA | XFRMR KVA | PRIMARY VOLTAGE | SECONDARY VOLTAGE | FREQUENCY | MATERIAL | TEMP RISE | K FACTOR | NEUTRAL | | | |
|---------|-----------|-----------------|-------------------|-----------|----------|-----------|----------|-----------------------------------|--|--|-----------------------------------|
| 20 | 33 | 480 | 208Y/120 | 60 HZ | AL | 150°C | K13 | 250A RATED ACCEPTS (4) 6 - 250 | | | |
| | | 600 | | | | | | 250A RATED ACCEPTS (4) 6 - 350 | | | |
| 30 | 56 | 480 | | | | | | | | | |
| | | 600 | | | | | | 750A RATED ACCEPTS (8) 6 - 350 | | | |
| 50 & 60 | 80 | 480 | | | | | | | | | |
| | | 600 | | | | | | 800A RATED ACCEPTS (8) 6 - 500 | | | |
| 80 | 100 | 480 | | | CU | | | | | | 800A RATED ACCEPTS (8) 4 - 600 |
| | | 600 | | | | | | | | | |
| 100 | 120 | 480 | | | | | | | | | |
| | | 600 | | | | | | | | | |

CABLE KIT SUMMARY

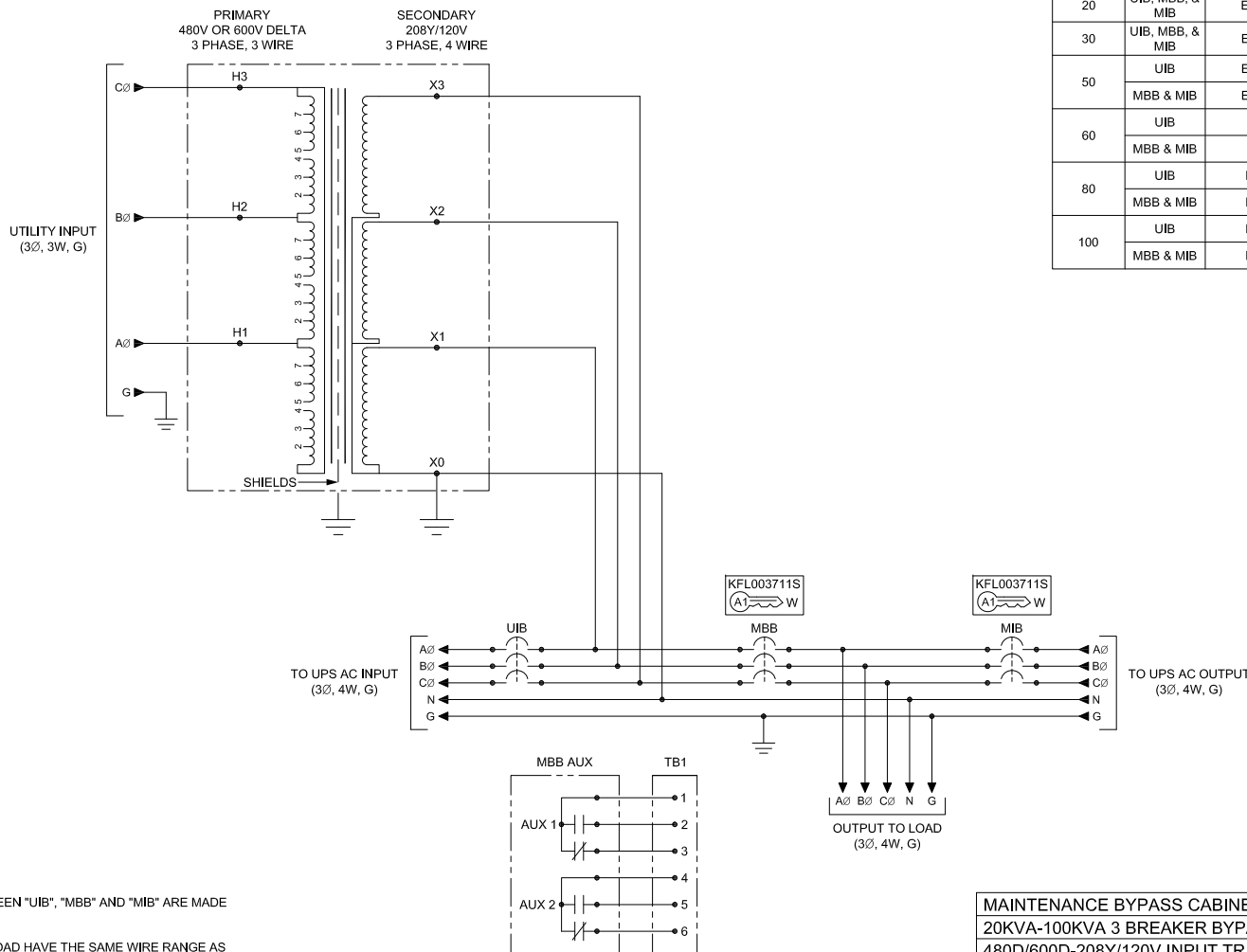
| UPS KVA | UIB TO UPS AC INPUT | MIB TO UPS AC OUTPUT | N TO UPS |
|---------|--|--|----------------------------------|
| 20 | (1) 8 AWG THHN PER PHASE (12 FT. EA.) | (1) 8 AWG THHN PER PHASE (12 FT. EA.) | (1) 2 AWG THHN (12 FT. EA.) |
| 30 | (1) 4 AWG THHN PER PHASE (12 FT. EA.) | (1) 4 AWG THHN PER PHASE (12 FT. EA.) | (1) 2/0 AWG THHN (12 FT. EA.) |
| 50 | (1) 1/0 AWG THHN PER PHASE (12 FT. EA.) | (1) 1 AWG THHN PER PHASE (12 FT. EA.) | (1) 4/0 AWG THHN (12 FT. EA.) |
| 60 | (1) 2/0 AWG THHN PER PHASE (12 FT. EA.) | (1) 1/0 AWG THHN PER PHASE (12 FT. EA.) | (2) 1/0 AWG THHN (12 FT. EA.) |
| 80 | (1) 4/0 AWG THHN PER PHASE (12 FT. EA.) | (1) 3/0 AWG THHN PER PHASE (12 FT. EA.) | (2) 3/0 AWG THHN (12 FT. EA.) |
| 100 | (1) 250 AWG THHN PER PHASE (12 FT. EA.) | (1) 4/0 AWG THHN PER PHASE (12 FT. EA.) | (2) 4/0 AWG THHN (12 FT. EA.) |

UTILITY INPUT CONNECTION SUMMARY

| UPS KVA | WIRE RANGE |
|---------|------------------------|
| 20 | (1) 14 - 1/0 PER PHASE |
| 30 | (1) 6 - 250 PER PHASE |
| 50 | (1) 6 - 250 PER PHASE |
| 60 | (1) 6 - 250 PER PHASE |
| 80 | (1) 6 - 250 PER PHASE |
| 100 | (1) 6 - 250 PER PHASE |

CIRCUIT BREAKER SUMMARY

| UPS KVA | LOCATION | BREAKER MODEL | TRIP | AIC | WIRE RANGE |
|---------|-----------------|---------------|------|--------------|---------------|
| 20 | UIB, MBB, & MIB | EHD3070 | 70A | 18K @ 240VAC | (1) 14 - 1/0 |
| 30 | UIB, MBB, & MIB | EDB3125 | 125A | 22K @ 240VAC | (1) 4 - 4/0 |
| 50 | UIB | EDB3200 | 200A | 22K @ 240VAC | (1) 4 - 4/0 |
| | MBB & MIB | EDB3175 | 175A | 22K @ 240VAC | (1) 4 - 4/0 |
| 60 | UIB | JD3250 | 250A | 65K @ 240VAC | (1) 4 - 350 |
| | MBB & MIB | JD3225 | 225A | 65K @ 240VAC | (1) 4 - 350 |
| 80 | UIB | KD3350 | 350A | 65K @ 240VAC | (1) 250 - 500 |
| | MBB & MIB | KD3300 | 300A | 65K @ 240VAC | (1) 250 - 500 |
| 100 | UIB | KD3400 | 400A | 65K @ 240VAC | (2) 3/0 - 250 |
| | MBB & MIB | KD3350 | 350A | 65K @ 240VAC | (1) 250 - 500 |



- NOTES:**
- "UIB" UPS INPUT BREAKER
 - "MBB" MAINTENANCE BYPASS BREAKER
 - "MIB" MAINTENANCE ISOLATION BREAKER
 - ALL INTERNAL ELECTRICAL CONNECTIONS BETWEEN "UIB", "MBB" AND "MIB" ARE MADE USING COPPER BUS BARS.
 - GROUND LUG ACCEPTS (4) #6 - 350 MCM CABLES.
 - MECHANICAL LUGS USED FOR THE OUTPUT TO THE LOAD HAVE THE SAME WIRE RANGE AS THE "MIB" CIRCUIT BREAKERS.
 - THIS DRAWING IS TO BE USED FOR ELECTRICAL PURPOSES ONLY AND DOES NOT REPRESENT THE ACTUAL MECHANICAL LAYOUT OF THE EQUIPMENT.

- KIRK KEY NOTES:**
- THE "E" OR "W" NEXT TO THE INTERLOCK INDICATES THE POSITION OF THE INTERLOCK BOLT WHEN THE KEY IS REMOVABLE. "E" = EXTENDED AND "W" = WITHDRAWN.
 - THE KEY OR KEYS NEXT TO THE INTERLOCK INDICATES THE KEY NUMBER THAT FUNCTIONS WITH THE INTERLOCK.

**MAINTENANCE BYPASS CABINET WITH XFRMR FOR LP33-II SERIES UPS
20KVA-100KVA 3 BREAKER BYPASS
480D/600D-208Y/120V INPUT TRANSFORMER**

THE INFORMATION CONTAINED IN THIS DRAWING IS THE SOLE PROPERTY OF C&C POWER, INC. ANY REPRODUCTION WITHOUT THE WRITTEN CONSENT OF C&C POWER, INC IS PROHIBITED.

| | | |
|--|------------|------------|
| DIMENSIONS ARE IN INCHES | INITIALS | DATE |
| TOLERANCES: DECIMALS: .XX ±.13 XXX ±.082 | DRAWN CH | 12/14/2016 |
| | CHECKED CH | 12/14/2016 |

SCALE: SEE A REV: 1 SHEET 2 OF 2

©2016 C&C POWER, INC. ALL RIGHTS RESERVED



Manufactured by C&C Power for GE