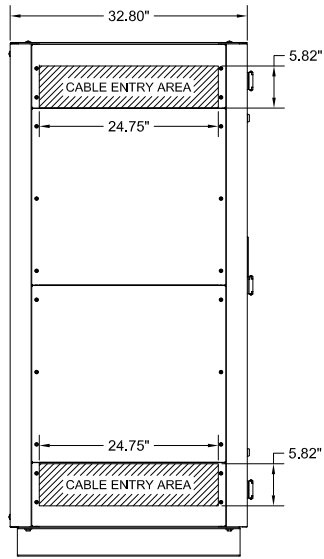
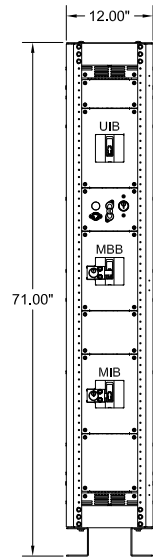


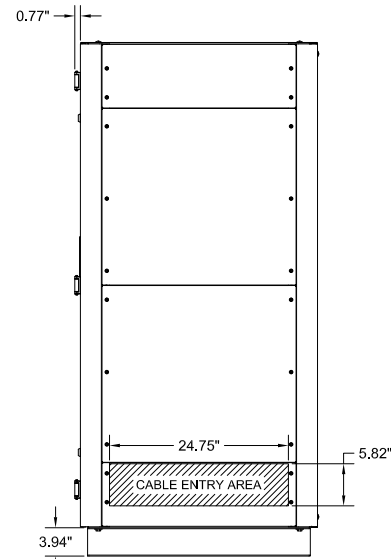
TOP VIEW



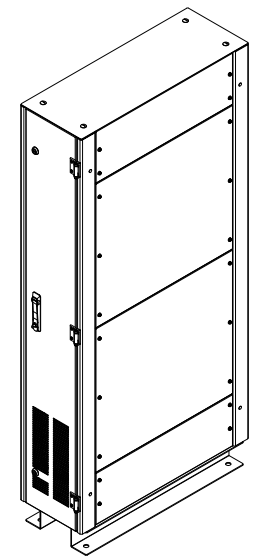
LEFT SIDE VIEW



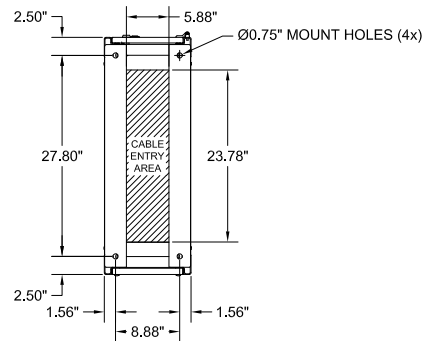
FRONT VIEW



RIGHT SIDE VIEW



ISOMETRIC VIEW




BOTTOM VIEW

NOTES:

1. APPROXIMATE WEIGHT: 325 LBS.
2. ASSEMBLY IS UL/CUL LISTED TO UL 891 AND C22.2 NO. 244.
3. NEMA 1 TYPE ENCLOSURE.
4. THE CABINET IS CONSTRUCTED FROM GALVANIZED STEEL.
5. THE CABINET IS TO BE MOUNTED THROUGH THE 0.750" HOLES IN THE CABINET LEGS. THE LEGS ARE FORMED FROM 10 GAUGE STEEL.
6. FINISH IS POWDER COAT ON ALL EXTERNAL AND VISIBLE SURFACES. INTERIOR PANELS AND MOUNT BRACKETS ARE GALVANIZED FINISH.
7. CABINET LEGS ARE REVERSIBLE FOR EASY ACCESS TO CABINET FLOOR MOUNTING HARDWARE.

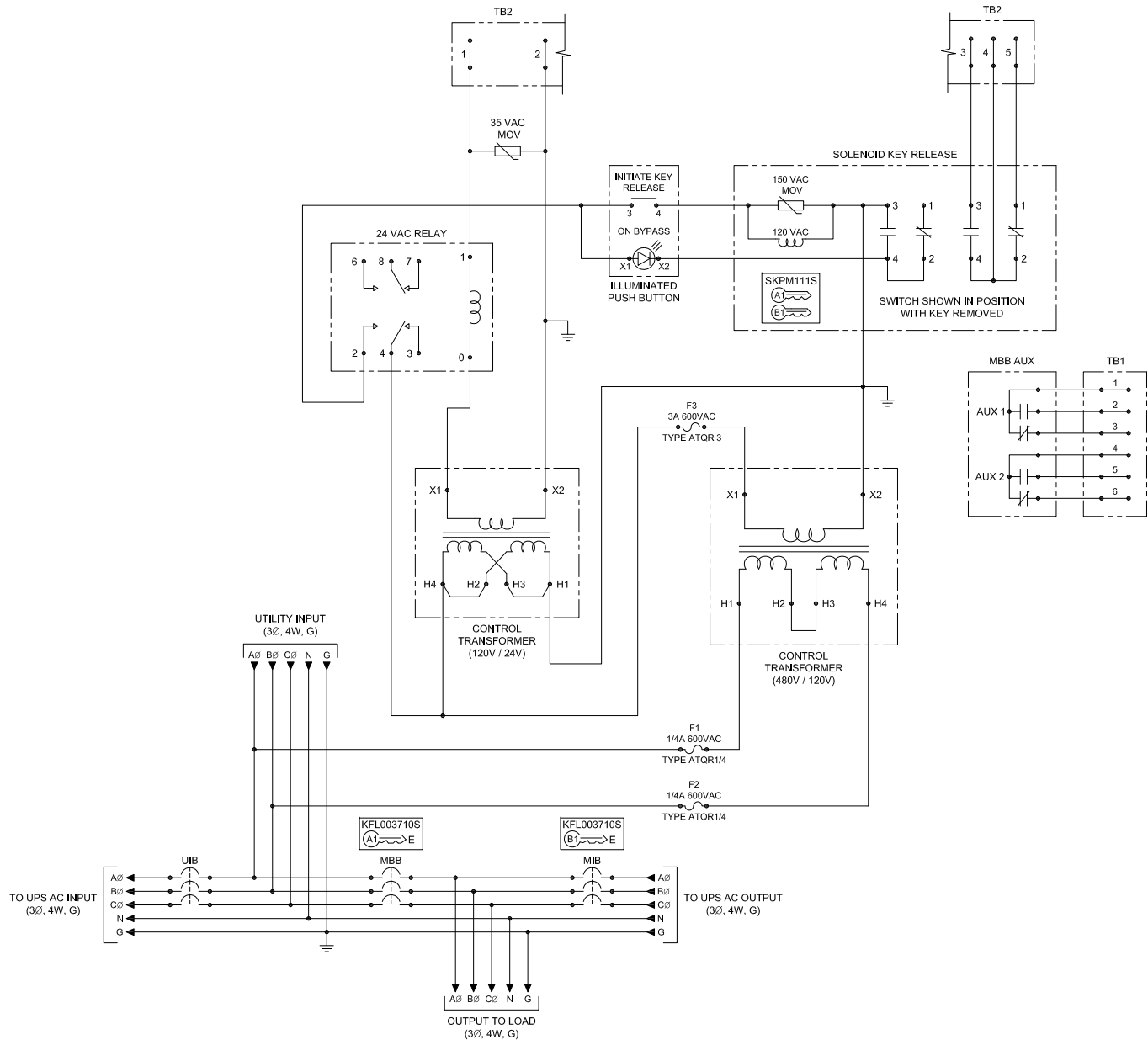
MAINTENANCE BYPASS CABINET FOR SG SERIES UPS 10-100KVA, 277V/480V, 3Ø/4W/G, 3 BREAKER WITH SKRU INTERLOCK CONFIGURATION 12			
<small>THE INFORMATION CONTAINED IN THIS DRAWING IS THE SOLE PROPERTY OF C&C POWER, INC. ANY REPRODUCTION WITHOUT THE WRITTEN CONSENT OF C&C POWER, INC IS PROHIBITED.</small>			
<small>DIMENSIONS ARE IN INCHES</small>		<small>INITIALS</small> TD	<small>DATE</small> 10/24/2019
<small>TOLERANCES:</small> DECIMALS: .XX ±.13 .XXX ±.082	<small>ANGLES:</small> ±1°	<small>CHECKED</small> CH	<small>DATE</small> 10/24/2019
<small>SCALE:</small> NTS: A	<small>REV:</small> 1	SHEET 1 OF 2	



Electrification Product Group
 EP Industrial Solutions Division
 Manufactured by C&C Power for ABB

©2019 C&C POWER, INC. ALL RIGHTS RESERVED

DRAWING # 9830-C-12-SD01-1 REV 1



CIRCUIT BREAKER SUMMARY					
KVA	AIC	BREAKER MODEL	LOCATION	TRIP	WIRE RANGE
10	14K @ 480VAC	EHD3025	UIB	25A	(1) 14 - 1/0
		EHD3015	MBB & MIB	15A	
	65K @ 480VAC	HFD3025	UIB	25A	
		HFD3015	MBB & MIB	15A	
20	14K @ 480VAC	EHD3050	UIB	50A	(1) 14 - 1/0
		EHD3030	MBB & MIB	30A	
	65K @ 480VAC	HFD3050	UIB	50A	
		HFD3030	MBB & MIB	30A	
30	14K @ 480VAC	EHD3070	UIB	70A	(1) 14 - 1/0
		EHD3050	MBB & MIB	50A	
	65K @ 480VAC	HFD3070	UIB	70A	
		HFD3050	MBB & MIB	50A	
40	14K @ 480VAC	EHD3080	UIB	80A	(1) 14 - 1/0
		EHD3060	MBB & MIB	60A	
	65K @ 480VAC	HFD3080	UIB	80A	
		HFD3060	MBB & MIB	60A	
50	14K @ 480VAC	FDB3125	UIB	125A	(1) 4 - 4/0
		EHD3080	MBB & MIB	80A	
	65K @ 480VAC	HFD3125	UIB	125A	
		HFD3080	MBB & MIB	80A	
80	35K @ 480VAC	FD3175	UIB	175A	(1) 4 - 4/0
		FD3125	MBB & MIB	125A	
	65K @ 480VAC	HFD3175	UIB	175A	
		HFD3125	MBB & MIB	125A	
100	35K @ 480VAC	FD3200	UIB	200A	(1) 4 - 4/0
		FD3150	MBB & MIB	150A	
	65K @ 480VAC	HFD3200	UIB	200A	
		HFD3150	MBB & MIB	150A	

- NOTES:**
- "UIB" UPS INPUT BREAKER.
 - "MBB" MAINTENANCE BYPASS BREAKER.
 - "MIB" MAINTENANCE ISOLATION BREAKER.
 - ALL INTERNAL ELECTRICAL CONNECTIONS BETWEEN "UIB", "MBB" AND "MIB" ARE MADE USING COPPER BUS BARS.
 - 600A RATED NEUTRAL BUS PROVIDED WITH MECHANICAL LUGS THAT ACCEPT A TOTAL OF (4) #6 - 350 MCM CABLES.
 - GROUND LUG ACCEPTS (4) #6 - 250 MCM CABLES.
 - MECHANICAL LUGS USED FOR THE UTILITY INPUT & THE OUTPUT TO LOAD HAVE THE SAME WIRE RANGE AS THE CIRCUIT BREAKERS.
 - VOLTAGE BETWEEN THE AØ AND BØ MUST BE 480V±10% FOR THE SKRU CIRCUIT TO FUNCTION PROPERLY.
 - THIS DRAWING IS TO BE USED FOR ELECTRICAL PURPOSES ONLY AND DOES NOT REPRESENT THE ACTUAL MECHANICAL LAYOUT OF THE EQUIPMENT.

- KIRK KEY NOTES:**
- THE "E" OR "W" NEXT TO THE INTERLOCK INDICATES THE POSITION OF THE INTERLOCK BOLT WHEN THE KEY IS REMOVABLE. "E" = EXTENDED AND "W" = WITHDRAWN.
 - THE KEY OR KEYS NEXT TO THE INTERLOCK INDICATES THE KEY NUMBER THAT FUNCTIONS WITH THE INTERLOCK.

MAINTENANCE BYPASS CABINET FOR SG SERIES UPS
10-100KVA, 277V/480V, 3Ø/4W/G, 3 BREAKER WITH SKRU
INTERLOCK CONFIGURATION 12

THE INFORMATION CONTAINED IN THIS DRAWING IS THE SOLE PROPERTY OF C&C POWER, INC. ANY REPRODUCTION WITHOUT THE WRITTEN CONSENT OF C&C POWER, INC IS PROHIBITED.

DIMENSIONS ARE IN INCHES	INITIALS	DATE
TOLERANCES:	DRAWN TD	10/24/2019
DECIMALS: .XX ±.13	CHECKED CH	10/24/2019
ANGLES: .XXX ±.082		

SCALE: SEE: A REV: 1 SHEET 2 OF 2

ABB
 Electrifications Product Group
 EP Industrial Solutions Division
 Manufactured by C&C Power for ABB

©2019 C&C POWER, INC. ALL RIGHTS RESERVED

DRAWING #: 98330-FC-12-SD01-2-REV 1