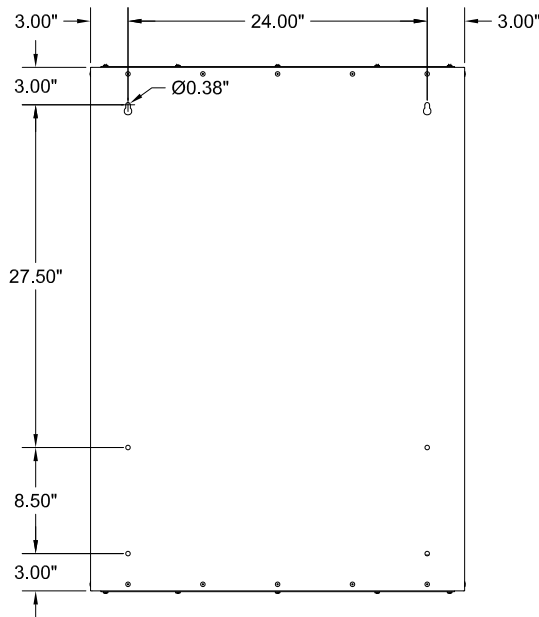
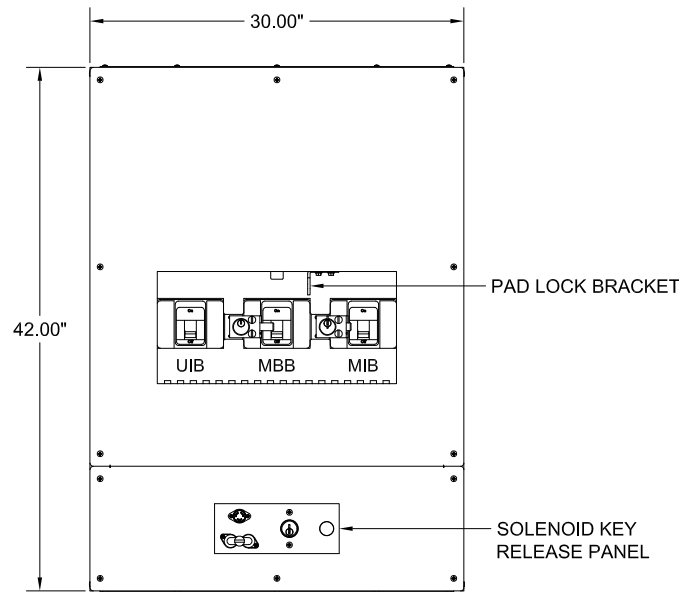


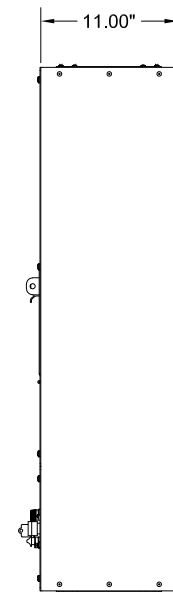
TOP VIEW



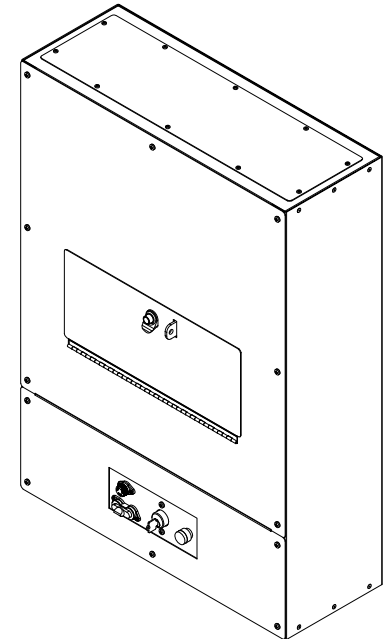
REAR VIEW



FRONT VIEW  
(DOOR REMOVED)



RIGHT SIDE VIEW



NOTES:

1. APPROXIMATE WEIGHT: 130 LBS.
2. ASSEMBLY IS UL/CUL LISTED TO UL 891 AND C22.2 NO. 244.
3. NEMA 1 WALL MOUNT ENCLOSURE.
4. THE BOX & TRIM ARE CONSTRUCTED OF GALVANIZED STEEL.
5. THE TRIM FINISH IS POWDER COATED ON ALL EXTERNAL AND VISIBLE SURFACES, BOX AND ALL INTERNAL MOUNT BRACKETS ARE GALVANIZED FINISH
6. THE CABINET IS TO BE MOUNTED THROUGH THE Ø0.375" HOLES IN THE BACK OF THE ENCLOSURE.

WALL MOUNT MAINTENANCE BYPASS BREAKER PANEL  
120-225KVA, 277V/480V, 3Ø/4W/G, 3 BREAKER WITH SKRU

INTERLOCK CONFIGURATION 12

THE INFORMATION CONTAINED IN THIS DRAWING IS THE SOLE PROPERTY OF C&C POWER, INC. ANY REPRODUCTION WITHOUT THE WRITTEN CONSENT OF C&C POWER, INC IS PROHIBITED.

DIMENSIONS ARE IN INCHES		INITIALS	DATE
TOLERANCES:	ANGLES:	DRAWN CH	4/22/2019
DECIMALS: .XX ±.13	±1°	CHECKED CH	4/22/2019
.XXX ±.082			



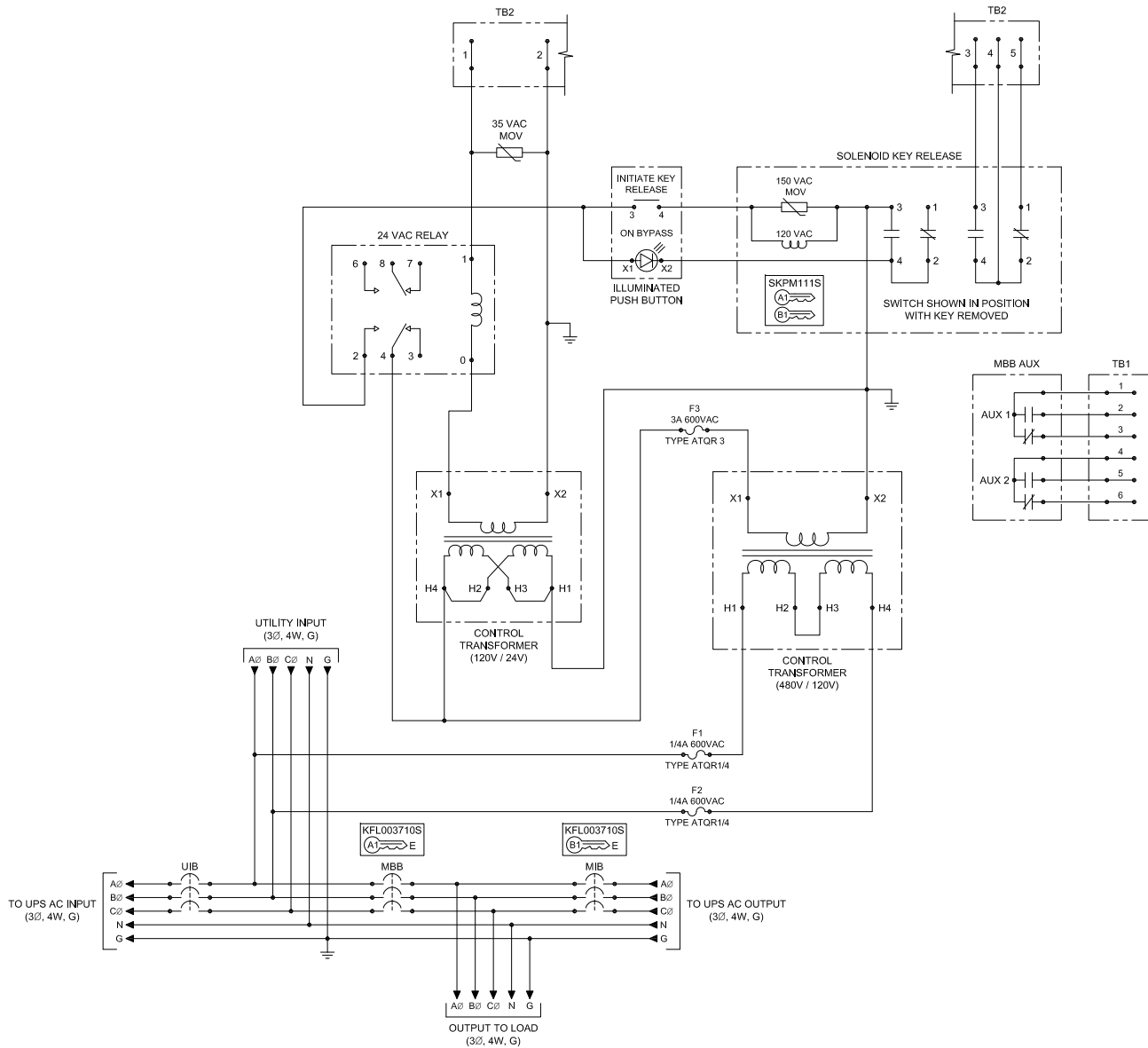
Electrical Solutions Product Group  
EP Industrial Solutions Division  
Manufactured by C&C Power for ABB

SCALE: SEE A NTS

REV: 4

SHEET 2 OF 2

©2019 C&C POWER, INC. ALL RIGHTS RESERVED



- NOTES:**
- "UIB" UPS INPUT BREAKER
  - "MBB" MAINTENANCE BYPASS BREAKER
  - "MIB" MAINTENANCE ISOLATION BREAKER
  - ALL INTERNAL ELECTRICAL CONNECTIONS BETWEEN "UIB", "MBB" AND "MIB" ARE MADE USING COPPER BUS BARS.
  - 800A RATED NEUTRAL BUS PROVIDED WITH MECHANICAL LUGS THAT ACCEPT A TOTAL OF (8) #6 - 350 MCM CABLES.
  - GROUND LUG ACCEPTS (3) #6 - 350 MCM CABLES.
  - MECHANICAL LUGS USED FOR THE UTILITY INPUT & THE OUTPUT TO LOAD HAVE THE SAME WIRE RANGE AS THE CIRCUIT BREAKERS.
  - VOLTAGE BETWEEN THE AØ AND BØ MUST BE 480V±10% FOR THE SKRU CIRCUIT TO FUNCTION PROPERLY.
  - THIS DRAWING IS TO BE USED FOR ELECTRICAL PURPOSES ONLY AND DOES NOT REPRESENT THE ACTUAL MECHANICAL LAYOUT OF THE EQUIPMENT.

- KIRK KEY NOTES:**
- THE "E" OR "W" NEXT TO THE INTERLOCK INDICATES THE POSITION OF THE INTERLOCK BOLT WHEN THE KEY IS REMOVABLE. "E" = EXTENDED AND "W" = WITHDRAWN.
  - THE KEY OR KEYS NEXT TO THE INTERLOCK INDICATES THE KEY NUMBER THAT FUNCTIONS WITH THE INTERLOCK.

CIRCUIT BREAKER SUMMARY						
UPS SERIES	KVA	AIC	BREAKER MODEL	LOCATION	TRIP	WIRE RANGE
SG & TLE	120	35K @ 480VAC	JD3250	UIB	250A	(1) 4 - 350
		65K @ 480VAC	JD3200	MBB & MIB	200A	
	150	35K @ 480VAC	HJD3250	UIB	250A	
		65K @ 480VAC	HJD3200	MBB & MIB	200A	
TLE	160	35K @ 480VAC	KD3300	UIB	300A	(1) 250 - 500
		65K @ 480VAC	KD3250	MBB & MIB	250A	
	200	35K @ 480VAC	KD3300	UIB	300A	(1) 250 - 500
		65K @ 480VAC	KD3350	MBB & MIB	300A	
	225	35K @ 480VAC	KD3400	UIB	400A	(2) 3/0 - 250
			KD3350	MBB & MIB	350A	
		65K @ 480VAC	KD3400	UIB	400A	
			KD3350	MBB & MIB	350A	

**WALL MOUNT MAINTENANCE BYPASS BREAKER PANEL**  
**120-225KVA, 277V/480V, 3Ø/4W/G, 3 BREAKER WITH SKRU**

**INTERLOCK CONFIGURATION 12**

THE INFORMATION CONTAINED IN THIS DRAWING IS THE SOLE PROPERTY OF C&C POWER, INC. ANY REPRODUCTION WITHOUT THE WRITTEN CONSENT OF C&C POWER, INC IS PROHIBITED.

DIMENSIONS ARE IN INCHES		INITIALS	DATE
TOLERANCES:		DRAWN	CH
DECIMALS: .XX ±.13	ANGLES: ±1"	CHECKED	CH
.XXX ±.082			4/22/2019

SCALE: SEE A REV: 6

SHEET 2 OF 2



Electrification Product Group  
 EP Industrial Solutions Division  
 Manufactured by C&C Power for ABB

©2019 C&C POWER, INC. ALL RIGHTS RESERVED