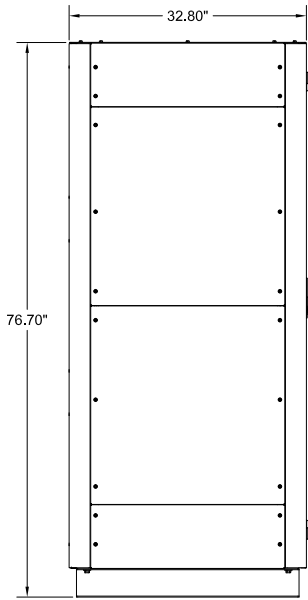
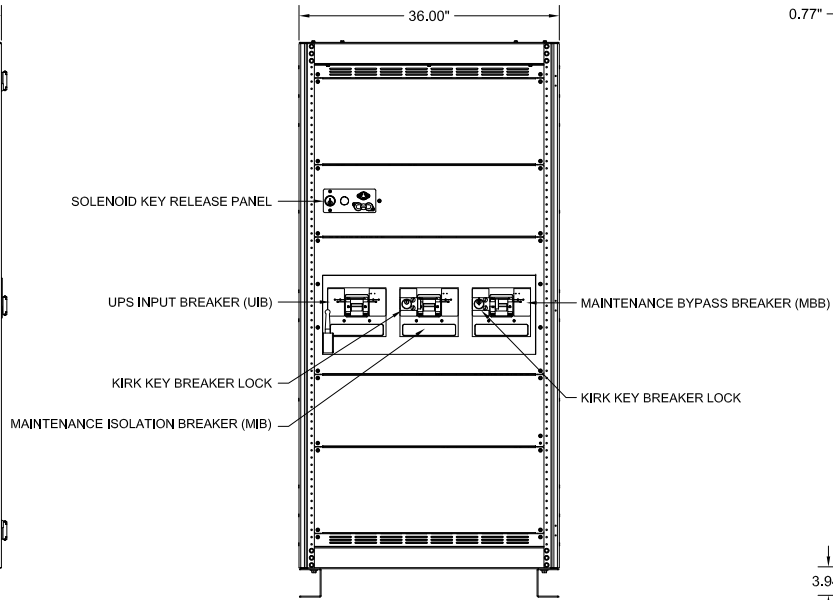


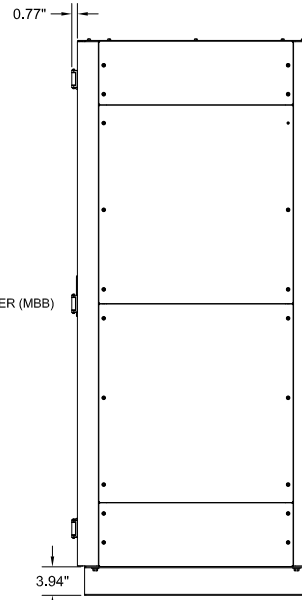
TOP VIEW



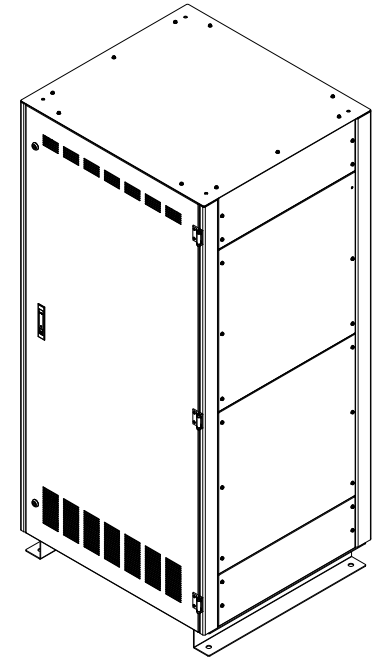
LEFT SIDE VIEW



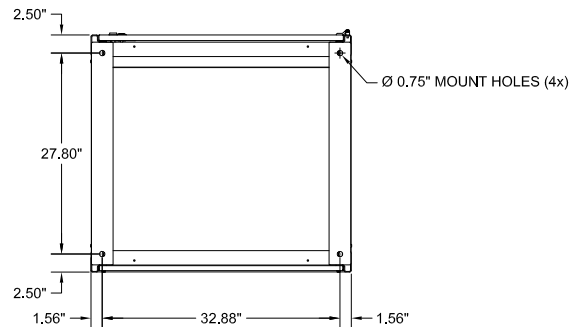
FRONT VIEW



RIGHT SIDE VIEW



ISOMETRIC VIEW



BOTTOM VIEW

NOTES:

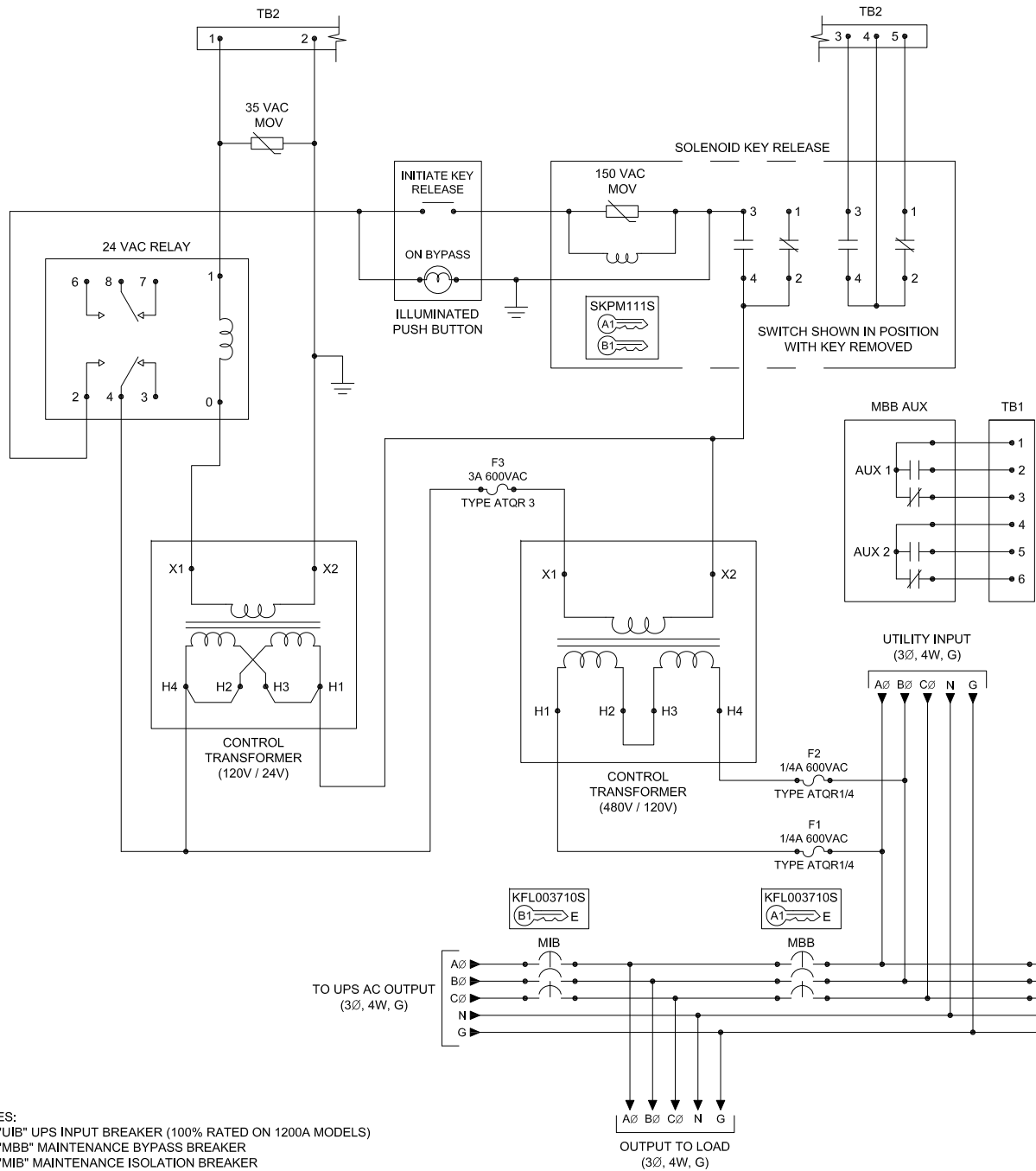
- APPROXIMATE WEIGHT: 730 LBS.
- 1. THE CABINET IS CONSTRUCTED FROM GALVANIZED STEEL.
- 2. THE CABINET IS TO BE MOUNTED THROUGH THE 0.750" HOLES IN THE CABINET LEGS. THE LEGS ARE FORMED FROM 10 GAUGE STEEL.
- 3. FINISH IS POWDER COAT ON ALL EXTERNAL AND VISIBLE SURFACES, INTERIOR PANELS AND MOUNT BRACKETS ARE GALVANIZED FINISH.
- 4. CABINET LEGS ARE REVERSIBLE FOR EASY ACCESS TO CABINET FLOOR MOUNTING HARDWARE.

90833 SERIES MAINTENANCE BYPASS BREAKER CABINET			
700A-1200A, 277V/480V, 3PH/4W, 3 BREAKER WITH SKRU			
INTERLOCK CONFIGURATION 12			
DIMENSIONS ARE IN INCHES	INITIALS	DATE	THE INFORMATION CONTAINED IN THIS DRAWING IS THE SOLE PROPERTY OF C&C POWER, INC. ANY REPRODUCTION WITHOUT THE WRITTEN CONSENT OF C&C POWER, INC IS PROHIBITED.
TOLERANCES:	DRAWN	PJC	
DECIMALS: .XX ±.13 .XXX ±.062	ANGLES: ±1°	CHECKED	
	CH	3/16/12	
MATERIAL: SEE NOTES SHEET 1			
FINISH: SEE NOTES SHEET 1			
CAD GENERATED DRAWING DO NOT MANUALLY UPDATE			
SCALE: NTS	SIZE: A	REV: 2	SHEET 1 OF 2

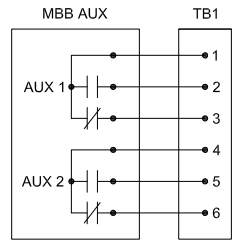


Manufactured by C&C Power for GE

© 2012 C&C POWER, INC. ALL RIGHTS RESERVED



CIRCUIT BREAKER SUMMARY						
BREAKER TYPE	KVA	LOCATION	BREAKER MODEL	TRIP	AIC	WIRE RANGE
EATON SERIES C	400	UIB	MDL3800	800A	50K @ 480VAC	(3) 3/0 - 400
			HMDL3800	800A	65K @ 480VAC	(3) 3/0 - 400
	MBB & MIB	MDL3600	600A	50K @ 480VAC	(2) 1 - 500	
		HMDL3600	600A	65K @ 480VAC	(2) 1 - 500	
	500	UIB	ND312T33	1000A	50K @ 480VAC	(3) 3/0 - 400
			HND312T33	1000A	65K @ 480VAC	(3) 3/0 - 400
750	MBB & MIB	ND312T33	800A	50K @ 480VAC	(3) 3/0 - 400	
		HND312T33	800A	65K @ 480VAC	(3) 3/0 - 400	
	UIB 100% RATED	CND312T33	1200A	50K @ 480VAC	(4) 4/0 - 500	
		CHND312T33	1200A	65K @ 480VAC	(4) 4/0 - 500	
MBB & MIB	ND312T33	1200A	50K @ 480VAC	(4) 4/0 - 500		
	HND312T33	1200A	65K @ 480VAC	(4) 4/0 - 500		



- NOTES:**
- "UIB" UPS INPUT BREAKER (100% RATED ON 1200A MODELS)
 - "MBB" MAINTENANCE BYPASS BREAKER
 - "MIB" MAINTENANCE ISOLATION BREAKER
 - NEUTRAL LUG ACCEPTS (4) #6 - 350 MCM CABLES.
 - GROUND LUG ACCEPTS (4) #6 - 350 MCM CABLES.
 - THIS DRAWING IS TO BE USED FOR ELECTRICAL PURPOSES ONLY AND DOES NOT REPRESENT THE ACTUAL MECHANICAL LAYOUT OF THE EQUIPMENT.

- KIRK KEY NOTES:**
- THE "E" OR "W" NEXT TO THE INTERLOCK INDICATES THE POSITION OF THE INTERLOCK BOLT WHEN THE KEY IS REMOVABLE. "E" = EXTENDED AND "W" = WITHDRAWN.
 - THE KEY OR KEYS NEXT TO THE INTERLOCK INDICATES THE KEY NUMBER THAT FUNCTIONS WITH THE INTERLOCK.

90833 SERIES MAINTENANCE BYPASS BREAKER CABINET			
700A-1200A, 277V/480V, 3PH/4W, 3 BREAKER WITH SKRU			
INTERLOCK CONFIGURATION 12			
DIMENSIONS ARE IN INCHES	INITIALS	DATE	THE INFORMATION CONTAINED IN THIS DRAWING IS THE SOLE PROPERTY OF C&C POWER, INC. ANY REPRODUCTION WITHOUT THE WRITTEN CONSENT OF C&C POWER, INC IS PROHIBITED.
TOLERANCES:	DRAWN	3/13/12	
DECIMALS: .XX ±.13	ANGLES: ±1"	CHECKED	
.XXX ±.062		CH	3/22/12
MATERIAL: SEE NOTES SHEET 1			
FINISH: SEE NOTES SHEET 1			
CAD GENERATED DRAWING DO NOT MANUALLY UPDATE			
SCALE: SEE A	REV: 3	SHEET 2 OF 2	

Manufactured by C&C Power for GE

© 2012 C&C POWER, INC. ALL RIGHTS RESERVED

DRAWING # 90833-C12-SD01-12 REV 3