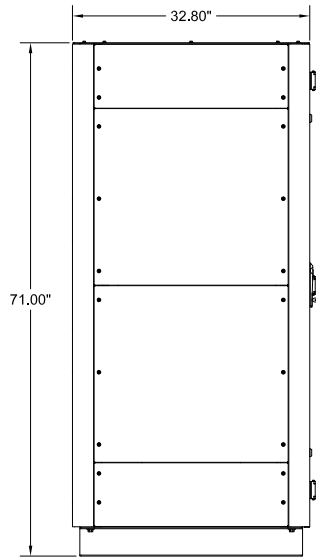
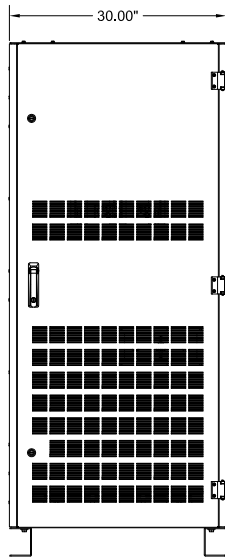


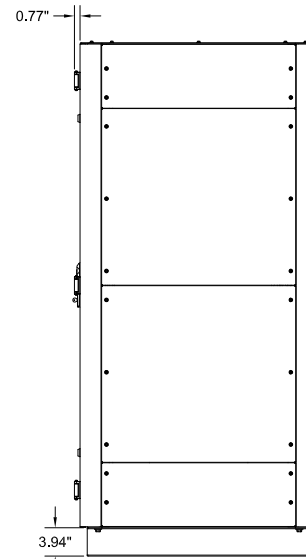
TOP VIEW



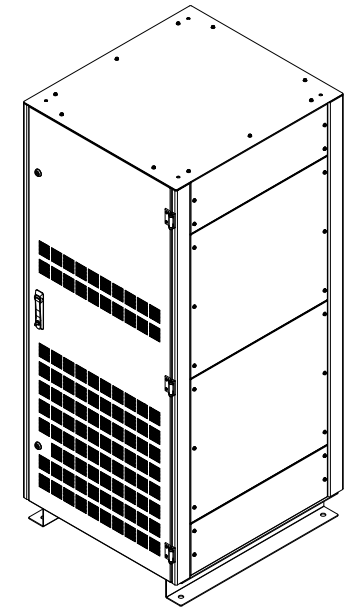
LEFT SIDE VIEW



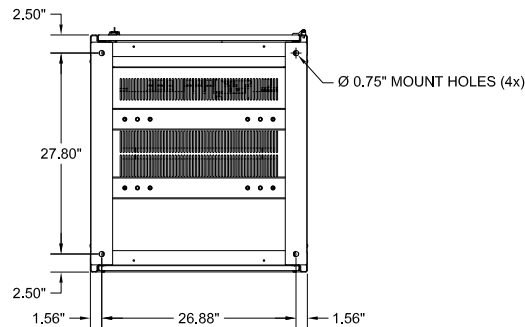
FRONT VIEW



RIGHT SIDE VIEW



ISOMETRIC VIEW



BOTTOM VIEW

- NOTES:  
 APPROXIMATE WEIGHT: 850-1420 LBS.
1. ASSEMBLY IS UL/CUL LISTED TO UL 891 AND C22.2 NO. 244.
  2. THE CABINET IS CONSTRUCTED FROM GALVANIZED STEEL.
  3. THE CABINET IS TO BE MOUNTED THROUGH THE 0.750" HOLES IN THE CABINET LEGS. THE LEGS ARE FORMED FROM 10 GAUGE STEEL.
  4. FINISH IS POWDER COAT ON ALL EXTERNAL AND VISIBLE SURFACES, INTERIOR PANELS AND MOUNT BRACKETS ARE GALVANIZED FINISH.
  5. CABINET LEGS ARE REVERSIBLE FOR EASY ACCESS TO CABINET FLOOR MOUNTING HARDWARE.

4X2 COMBO MAINTENANCE BYPASS CABINET FOR SG SERIES UPS			
30KVA-100KVA 3 BREAKER BYPASS WITH SKRU			
480D-208Y/120V OUTPUT TRANSFORMER			
DIMENSIONS ARE IN INCHES	INITIALS	DATE	THE INFORMATION CONTAINED IN THIS DRAWING IS THE SOLE PROPERTY OF C&C POWER, INC. ANY REPRODUCTION WITHOUT THE WRITTEN CONSENT OF C&C POWER, INC IS PROHIBITED.
TOLERANCES:	DRAWN	PC	
DECIMALS: .XX ±.13	ANGLES: ±1°	CHECKED	
.XXX ±.062		CH	10/18/2013
MATERIAL: SEE NOTES SHEET 1			
FINISH: SEE NOTES SHEET 1			
CAD GENERATED DRAWING DO NOT MANUALLY UPDATE			
SCALE: NTS	SIZE: A	REV: 3	SHEET 1 OF 2



Manufactured by C&C Power for GE

© 2013 C&C POWER, INC. ALL RIGHTS RESERVED

