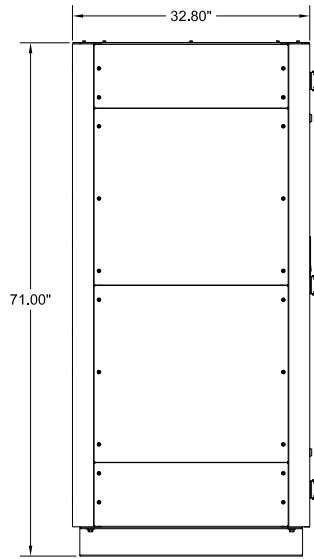
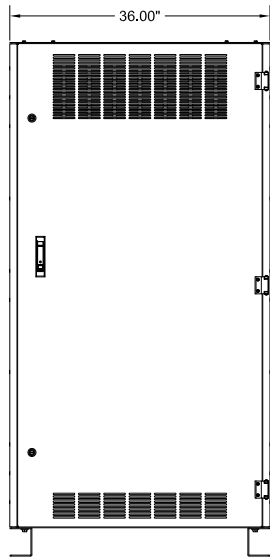


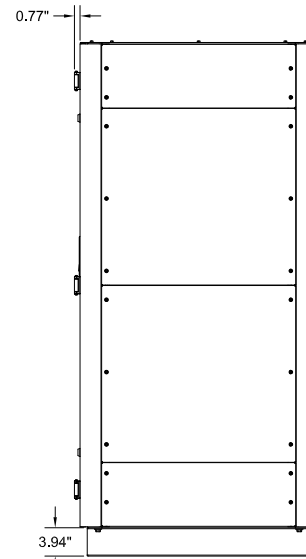
TOP VIEW



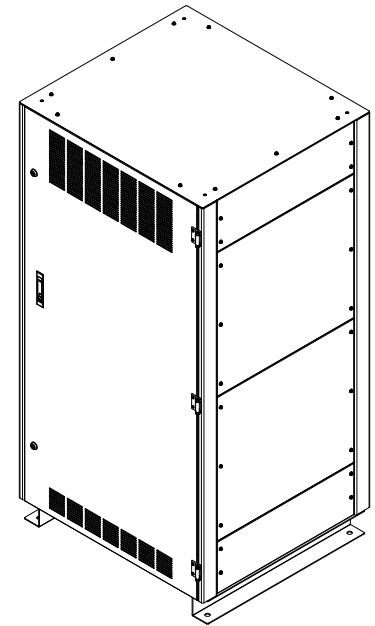
LEFT SIDE VIEW



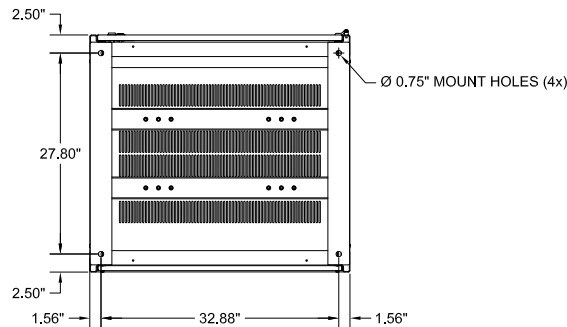
FRONT VIEW



RIGHT SIDE VIEW



ISOMETRIC VIEW



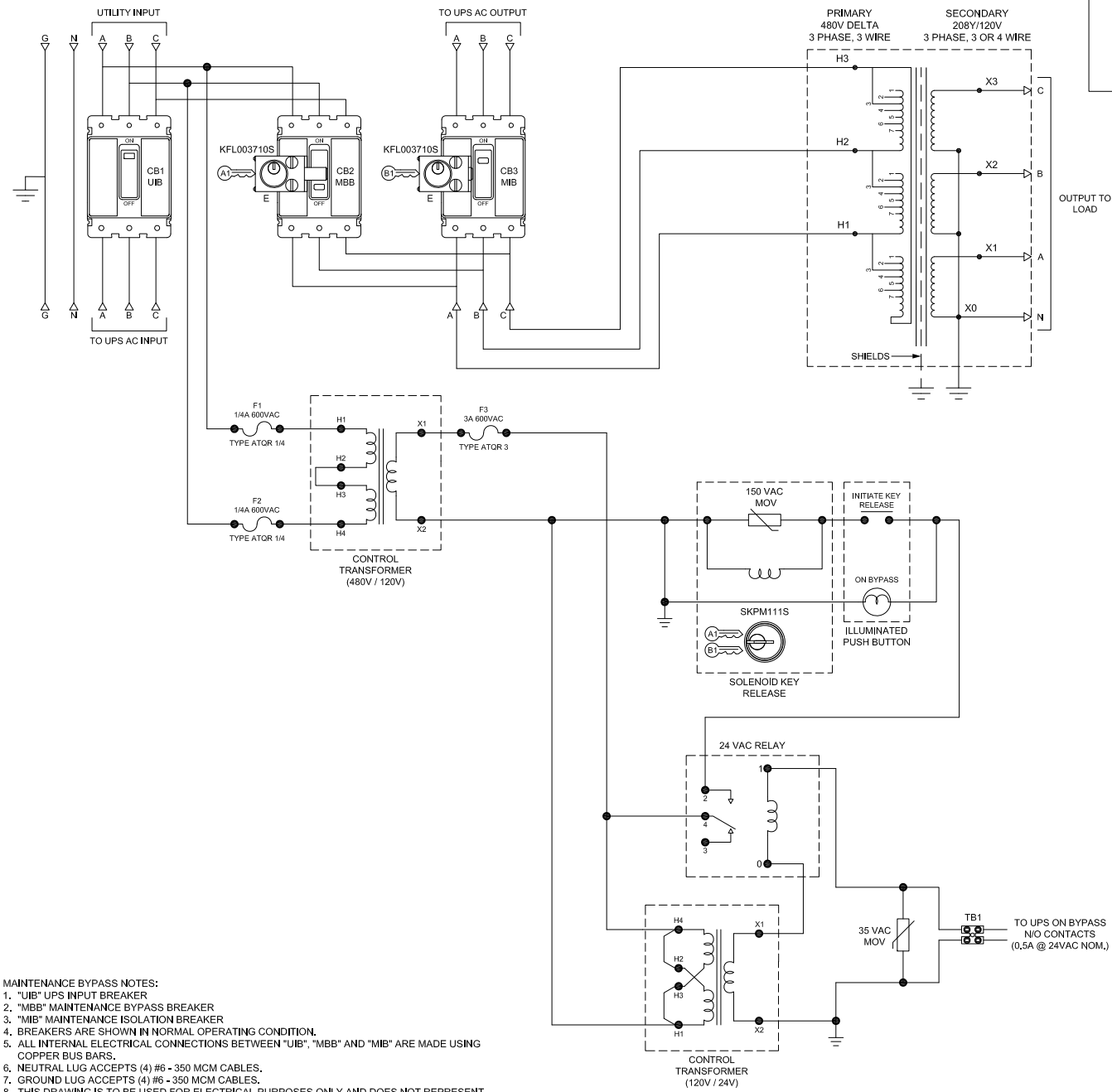
BOTTOM VIEW

- NOTES:
 APPROXIMATE WEIGHT: 1000-2200 LBS.
 1. THE CABINET IS CONSTRUCTED FROM GALVANIZED STEEL.
 2. THE CABINET IS TO BE MOUNTED THROUGH THE 0.750" HOLES IN THE CABINET LEGS. THE LEGS ARE FORMED FROM 10 GAUGE STEEL.
 3. FINISH IS POWDER COAT ON ALL EXTERNAL AND VISIBLE SURFACES. INTERIOR PANELS AND MOUNT BRACKETS ARE GALVANIZED FINISH.
 4. CABINET LEGS ARE REVERSIBLE FOR EASY ACCESS TO CABINET FLOOR MOUNTING HARDWARE.

4X2 COMBO CABINET FOR GE SERIES SG UPS			
50-225KVA, 3 BREAKER BYPASS WITH SKRU			
480D-208Y/120V OUTPUT TRANSFORMER			
DIMENSIONS ARE IN INCHES		INITIALS	DATE
TOLERANCES:		DRAWN	PJC
DECIMALS: .XX ±.13		CHECKED	CH
ANGLES: ±1°			12/22/2011
.XXX ±.062			2/2/2012
MATERIAL: SEE NOTES			
FINISH: SEE NOTES			
CAD GENERATED DRAWING DO NOT MANUALLY UPDATE			
SCALE:	SIZE:	REV:	
NTS	A	1	
SHEET 1 OF 2			THE INFORMATION CONTAINED IN THIS DRAWING IS THE SOLE PROPERTY OF C&C POWER, INC. ANY REPRODUCTION WITHOUT THE WRITTEN CONSENT OF C&C POWER, INC IS PROHIBITED. C&C POWER ENGINEERED POWER PRODUCTS 949 N. Larch Ave. - Elmhurst, IL 60126 © 2011 C&C POWER, INC. ALL RIGHTS RESERVED

MAINTENANCE BYPASS CIRCUIT BREAKER SUMMARY

BREAKER TYPE	BREAKER FRAME	UPS KVA	BREAKER MODEL	TRIP	AIC	WIRE RANGE
EATON SERIES C	F FRAME	50	FDB3125	125A	14K @ 480VAC	(1) 4 - 4/0
		50	HFD3125	125A	65K @ 480VAC	(1) 4 - 4/0
		100	FD3200	200A	35K @ 480VAC	(1) 4 - 4/0
	K FRAME	100	HFD3200	200A	65K @ 480VAC	(1) 4 - 4/0
		150	KDB3300	300A	35K @ 480VAC	(1) 250 - 500
		150	HKDB3300	300A	65K @ 480VAC	(1) 250 - 500
L FRAME	225	LDB3450	450A	35K @ 480VAC	(2) 4 - 4/0	
	225	HLD3450	450A	65K @ 480VAC	(2) 4 - 4/0	



MAINTENANCE BYPASS NOTES:

- "UIB" UPS INPUT BREAKER
- "MBB" MAINTENANCE BYPASS BREAKER
- "MIB" MAINTENANCE ISOLATION BREAKER
- BREAKERS ARE SHOWN IN NORMAL OPERATING CONDITION.
- ALL INTERNAL ELECTRICAL CONNECTIONS BETWEEN "UIB", "MBB" AND "MIB" ARE MADE USING COPPER BUS BARS.
- NEUTRAL LUG ACCEPTS (4) #6 - 350 MCM CABLES.
- GROUND LUG ACCEPTS (4) #6 - 350 MCM CABLES.
- THIS DRAWING IS TO BE USED FOR ELECTRICAL PURPOSES ONLY AND DOES NOT REPRESENT THE ACTUAL MECHANICAL LAYOUT OF THE EQUIPMENT.

KIRK KEY NOTES:

- THE "E" OR "W" NEXT TO THE INTERLOCK INDICATES THE POSITION OF THE INTERLOCK BOLT WHEN THE KEY IS REMOVABLE. "E" = EXTENDED AND "W" = WITHDRAWN.
- THE KEY OR KEYS NEXT TO THE INTERLOCK INDICATES THE KEY NUMBER THAT FUNCTIONS WITH THE INTERLOCK.

4X2 COMBO CABINET FOR GE SERIES SG UPS			
50-225KVA, 3 BREAKER BYPASS WITH SKRU			
480D-208Y/120V OUTPUT TRANSFORMER			
DIMENSIONS ARE IN INCHES	INITIALS	DATE	THE INFORMATION CONTAINED IN THIS DRAWING IS THE SOLE PROPERTY OF C&C POWER, INC. ANY REPRODUCTION WITHOUT THE WRITTEN CONSENT OF C&C POWER, INC IS PROHIBITED.
TOLERANCES: DECIMALS: .XX ±.13 .XXX ±.062	DRAWN CDH CHECKED CH	2/1/2012 2/2/2012	
MATERIAL: SEE NOTES SHEET 1			
FINISH: SEE NOTES SHEET 1			
CAD GENERATED DRAWING DO NOT MANUALLY UPDATE			
SCALE: NTS	SHEET: A	REV: 1	SHEET 2 OF 2
C&C POWER ENGINEERED POWER PRODUCTS 949 N. Larch Ave. - Elmhurst, IL 60126			© 2011 C&C POWER, INC. ALL RIGHTS RESERVED

DRAWING # 90835-480D-208Y/120V-3-BREAKER BYPASS WITH SKRU-2 REV 1