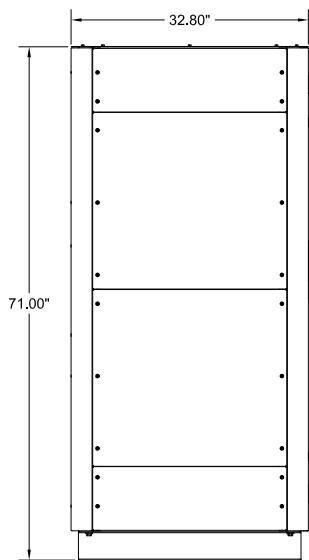
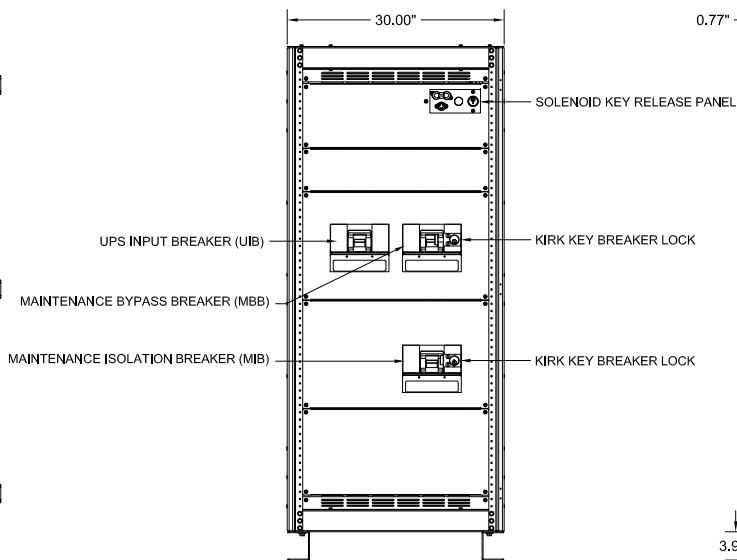


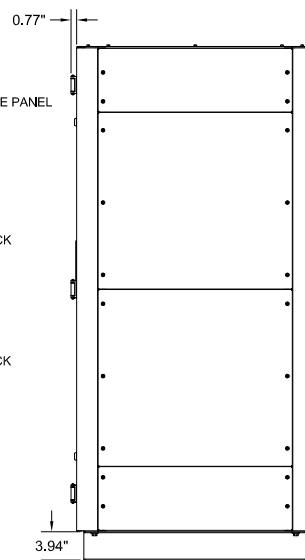
TOP VIEW



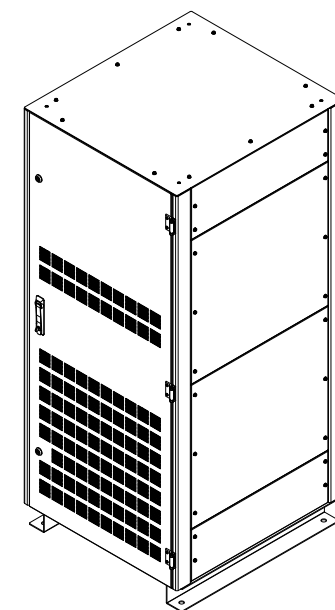
LEFT SIDE VIEW



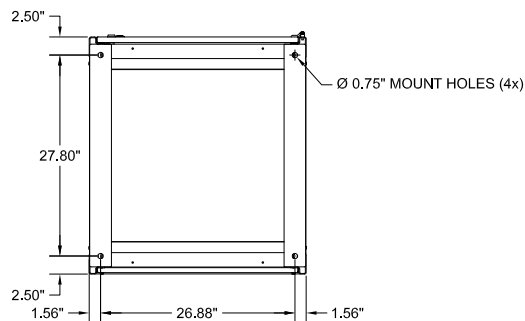
FRONT VIEW



RIGHT SIDE VIEW




ISOMETRIC VIEW



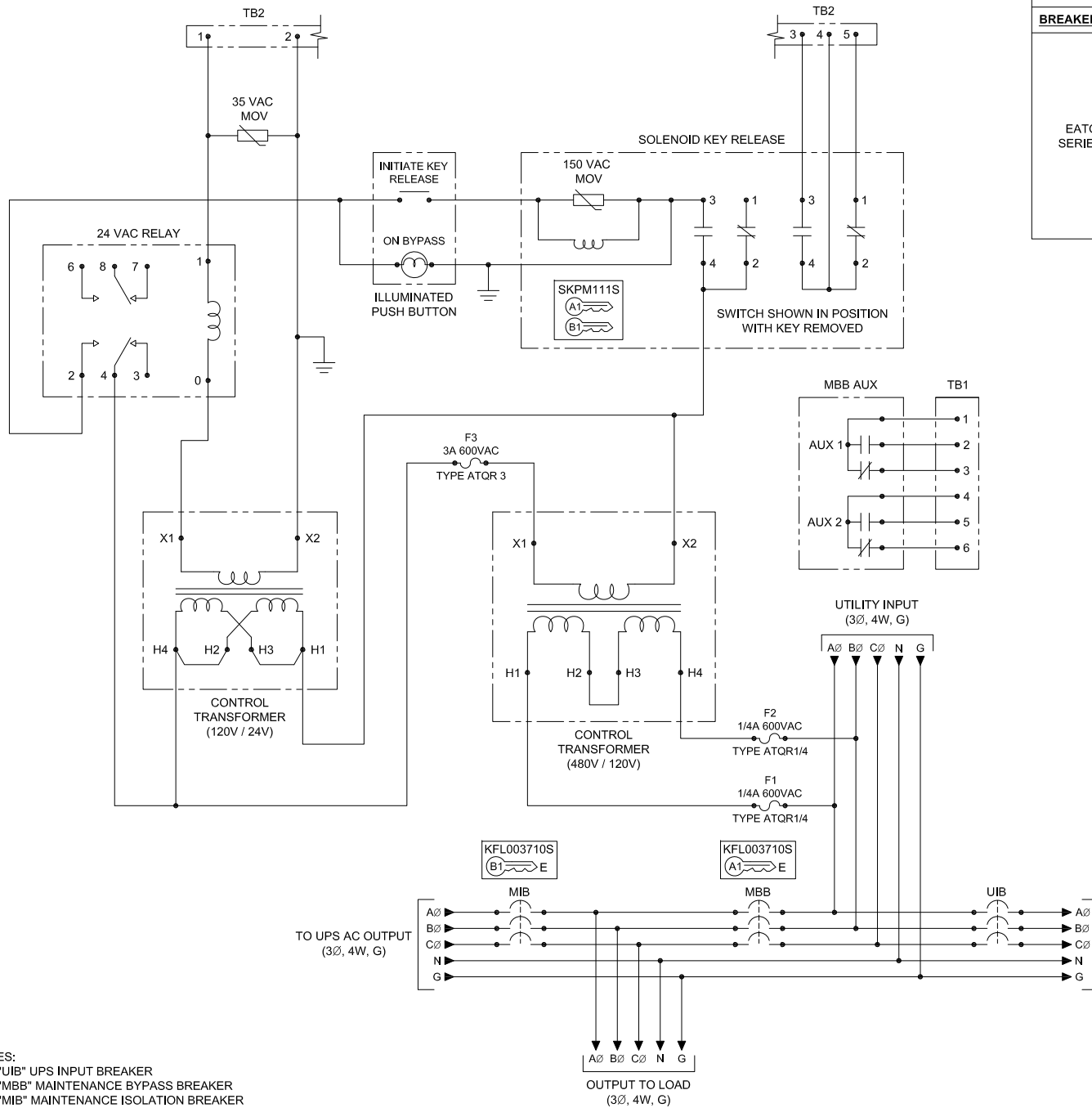
BOTTOM VIEW

NOTES:

- 1. APPROXIMATE WEIGHT: 400 LBS.
- 2. THE CABINET IS CONSTRUCTED FROM GALVANIZED STEEL.
- 3. THE CABINET IS TO BE MOUNTED THROUGH THE 0.750" HOLES IN THE CABINET LEGS. THE LEGS ARE FORMED FROM 10 GAUGE STEEL.
- 4. FINISH IS POWDER COAT ON ALL EXTERNAL AND VISIBLE SURFACES, INTERIOR PANELS AND MOUNT BRACKETS ARE GALVANIZED FINISH.
- 5. CABINET LEGS ARE REVERSIBLE FOR EASY ACCESS TO CABINET FLOOR MOUNTING HARDWARE.

<b>MAINTENANCE BYPASS CABINET FOR SG SERIES UPS</b> <b>225-300KVA, 277V/480V, 3Ø/4W/G, 3 BREAKER WITH SKRU</b> <b>INTERLOCK CONFIGURATION 12</b>				
DIMENSIONS ARE IN INCHES		INITIALS	DATE	<small>THE INFORMATION CONTAINED IN THIS DRAWING IS THE SOLE PROPERTY OF C&amp;C POWER, INC. ANY REPRODUCTION WITHOUT THE WRITTEN CONSENT OF C&amp;C POWER, INC IS PROHIBITED.</small>
TOLERANCES:		DRAWN		
DECIMALS: .XX ±.13	ANGLES: ±1°	PJC	3/13/12	
.XXX ±.062		CHECKED	CH	4/30/12
MATERIAL: SEE NOTES SHEET 1				 Manufactured by C&C Power for GE
FINISH: SEE NOTES SHEET 1				
CAD GENERATED DRAWING DO NOT MANUALLY UPDATE				
SCALE: NTS	SIZE: A	REV: 3	SHEET 1 OF 2	
				© 2012 C&C POWER, INC. ALL RIGHTS RESERVED

DRAWING # 9832-C12-SD01-1 REV 3



CIRCUIT BREAKER SUMMARY						
BREAKER TYPE	KVA	LOCATION	BREAKER MODEL	TRIP	AIC	WIRE RANGE
EATON SERIES C	225	UIB	LDB3450	450A	35K @ 480VAC	(2) 400 - 500
			HLD3450	450A	65K @ 480VAC	(2) 400 - 500
		MBB & MIB	LDB3350	350A	35K @ 480VAC	(2) 400 - 500
			HLD3350	350A	65K @ 480VAC	(2) 400 - 500
	300	UIB	LDB3600	600A	35K @ 480VAC	(2) 400 - 500
			HLD3600	600A	65K @ 480VAC	(2) 400 - 500
MBB & MIB	500A	LDB3500	500A	35K @ 480VAC	(2) 400 - 500	
		HLD3500	500A	65K @ 480VAC	(2) 400 - 500	

- NOTES:
- "UIB" UPS INPUT BREAKER
  - "MBB" MAINTENANCE BYPASS BREAKER
  - "MIB" MAINTENANCE ISOLATION BREAKER
  - NEUTRAL LUG ACCEPTS (8) #6 - 500 MCM CABLES.
  - GROUND LUG ACCEPTS (4) #6 - 350 MCM CABLES.
  - THIS DRAWING IS TO BE USED FOR ELECTRICAL PURPOSES ONLY AND DOES NOT REPRESENT THE ACTUAL MECHANICAL LAYOUT OF THE EQUIPMENT.

- KIRK KEY NOTES:
- THE "E" OR "W" NEXT TO THE INTERLOCK INDICATES THE POSITION OF THE INTERLOCK BOLT WHEN THE KEY IS REMOVABLE. "E" = EXTENDED AND "W" = WITHDRAWN.
  - THE KEY OR KEYS NEXT TO THE INTERLOCK INDICATES THE KEY NUMBER THAT FUNCTIONS WITH THE INTERLOCK.

<b>MAINTENANCE BYPASS CABINET FOR SG SERIES UPS</b> <b>225-300KVA, 277V/480V, 3Ø/4W/G, 3 BREAKER WITH SKRU</b>			
<b>INTERLOCK CONFIGURATION 12</b>			
DIMENSIONS ARE IN INCHES TOLERANCES: DECIMALS: .XX ±.13 .XXX ±.062		INITIALS DRAWN PJC CHECKED CH	
DATE 3/13/12		THE INFORMATION CONTAINED IN THIS DRAWING IS THE SOLE PROPERTY OF C&C POWER, INC. ANY REPRODUCTION WITHOUT THE WRITTEN CONSENT OF C&C POWER, INC IS PROHIBITED.	
MATERIAL: SEE NOTES SHEET 1			
FINISH: SEE NOTES SHEET 1			
CAD GENERATED DRAWING DO NOT MANUALLY UPDATE			
SCALE: NTS	SIZE: A	REV: 4	SHEET 2 OF 2



Manufactured by C&C Power for GE

DRAWING # 9832-C12-SD01-12 REV 4