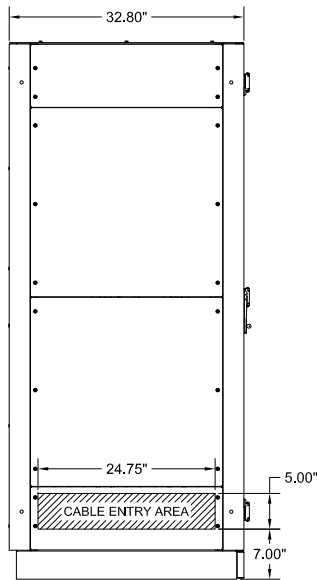
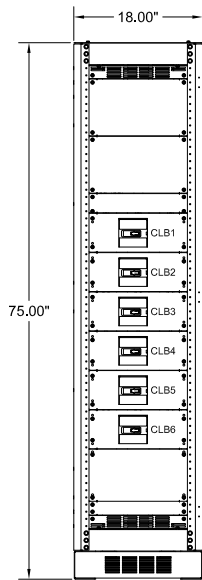


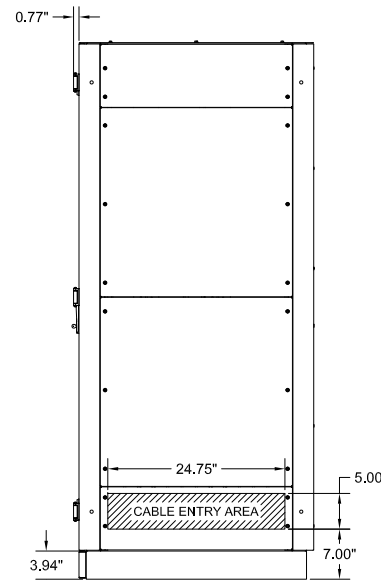
TOP VIEW



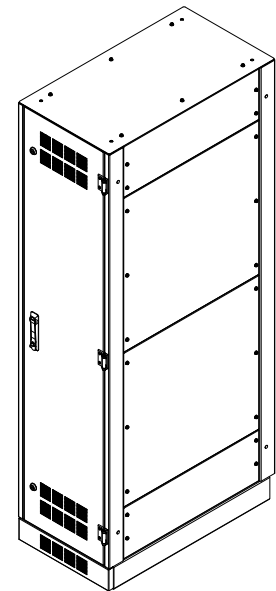
LEFT SIDE VIEW



FRONT VIEW  
(DOOR REMOVED)



RIGHT SIDE VIEW



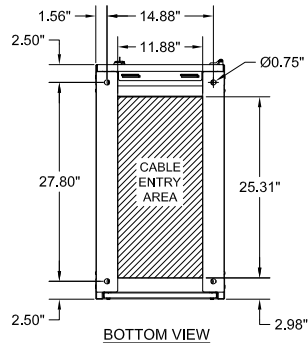
ISOMETRIC VIEW

CIRCUIT BREAKER OPTIONS FOR 480Y/277V DISTRIBUTION			
BREAKER MODEL	TRIP	AIC	WIRE RANGE
EHD3XXX	15-100A	14K @ 480VAC	(1) 14 - 1/0
FDB3XXX	110-150A	14K @ 480VAC	(1) 4 - 4/0
FD3XXX	175-225A	35K @ 480VAC	(1) 4 - 4/0
HFD3XXX	15-100A	65K @ 480VAC	(1) 14 - 1/0
HFD3XXX	110-225A	65K @ 480VAC	(1) 4 - 4/0

CIRCUIT BREAKER OPTIONS FOR 208Y/120V DISTRIBUTION			
BREAKER MODEL	TRIP	AIC	WIRE RANGE
EHD3XXX	15-100A	18K @ 240VAC	(1) 14 - 1/0
EDB3XXX	125-225A	22K @ 240VAC	(1) 4 - 4/0
ED3XXX	15-60A	65K @ 240VAC	(1) 14 - 1/0
FD3XXX	70-90A	65K @ 240VAC	(1) 14 - 1/0
ED3100	100A	65K @ 240VAC	(1) 14 - 1/0
ED3XXX	110-225A	65K @ 240VAC	(1) 4 - 4/0


NOTES:

- CABINET WEIGHT (NO BREAKERS): 340 LBS.  
BREAKER WEIGHT (PER BREAKER): 12 LBS.
- ASSEMBLY IS UL/CUL LISTED TO UL 891 AND C22.2 NO. 244.
- NEMA 1 TYPE ENCLOSURE.
- THE CABINET IS CONSTRUCTED FROM GALVANIZED STEEL.
- THE CABINET IS TO BE MOUNTED THROUGH THE 0.750" HOLES IN THE CABINET LEGS. THE LEGS ARE FORMED FROM 10 GAUGE STEEL.
- FINISH IS BLACK POWDER COAT ON ALL EXTERNAL AND VISIBLE SURFACES, INTERIOR PANELS AND MOUNT BRACKETS ARE GALVANIZED FINISH.
- THE DISTRIBUTION CABINET CAN BE CONFIGURED WITH 1-6 BREAKERS RANGING FROM 15-225A PER BREAKER WITH A TOTAL SYSTEM CAPACITY OF 800A.
- 1875A RATED NEUTRAL BUS PROVIDED WITH MECHANICAL LUGS THAT ACCEPT A TOTAL OF (6) #2 - 600 MCM CABLES, (12) #6 - 300 MCM CABLES & (7) #14 - #4 AWG CABLES.
- GROUND LUGS ACCEPT (2) #14 - 2/0 AWG CABLES & (10) #14 - #4 AWG CABLES.
- CABLES PROVIDED TO CONNECT INPUT POWER TO ADJACENT UPS MODULE OR MAINTENANCE BYPASS CABINET.



BOTTOM VIEW

OUTPUT DISTRIBUTION CABINET FOR TLE SERIES UPS			
480Y/277V OR 208Y/120V, 3Ø/4W/G			
800A MAIN BUS, UP TO 6 BREAKERS			
THE INFORMATION CONTAINED IN THIS DRAWING IS THE SOLE PROPERTY OF C&C POWER, INC. ANY REPRODUCTION WITHOUT THE WRITTEN CONSENT OF C&C POWER, INC IS PROHIBITED.			
DIMENSIONS ARE IN INCHES		INITIALS	DATE
TOLERANCES:		DRAWN CH	9/29/2017
DECIMALS: .XX ±.13	ANGLES: ±1°	CHECKED CH	10/2/2017
SCALE: SEE NTS	SHEET: A	REV: 1	SHEET 1 OF 1



Manufactured by C&C Power for GE

©2017 C&C POWER, INC. ALL RIGHTS RESERVED