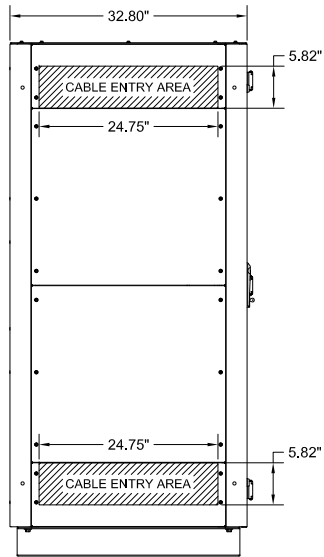
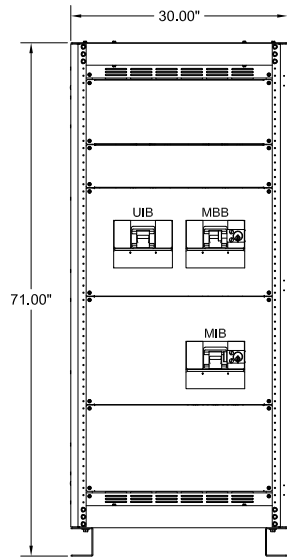


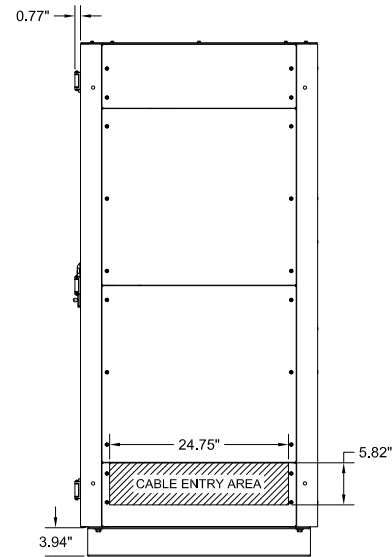
TOP VIEW



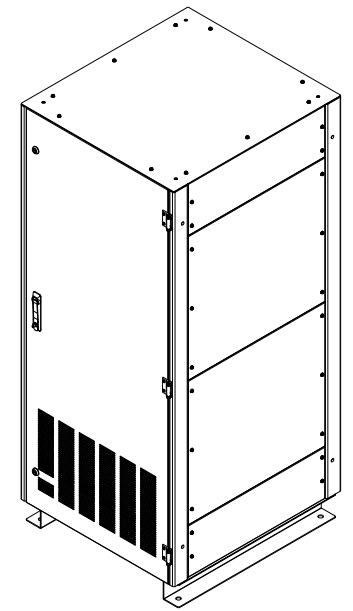
LEFT SIDE VIEW



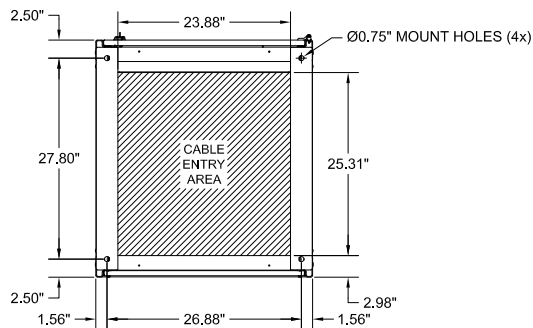
FRONT VIEW  
(DOOR REMOVED)



RIGHT SIDE VIEW




ISOMETRIC VIEW



BOTTOM VIEW

NOTES:

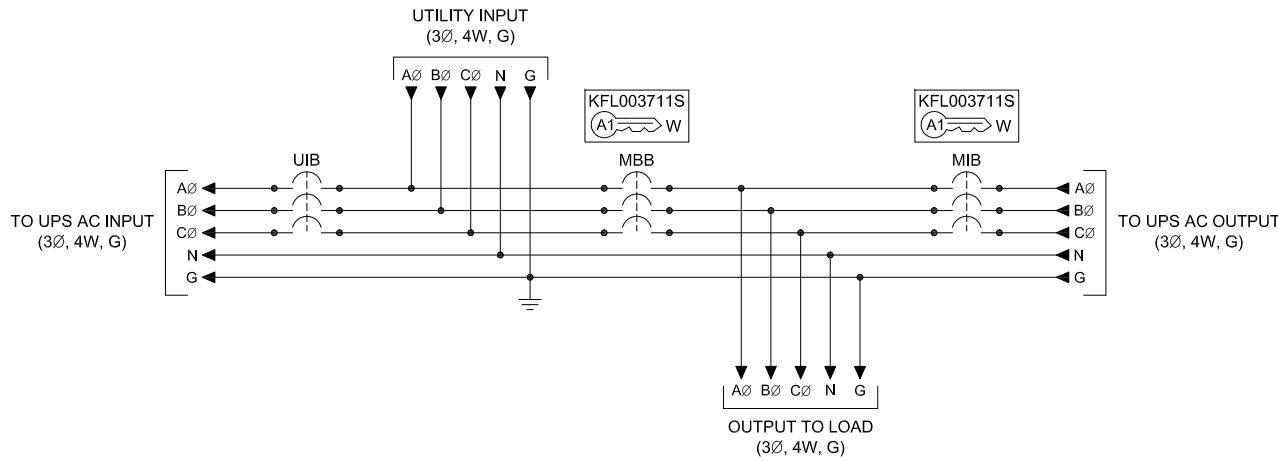
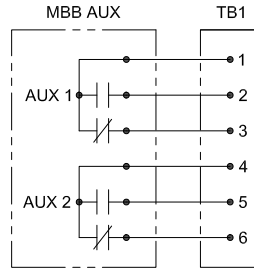
1. APPROXIMATE WEIGHT: 520 LBS.
2. ASSEMBLY IS UL/CUL LISTED TO UL 891 AND C22.2 NO. 244.
3. NEMA 1 TYPE ENCLOSURE.
4. THE CABINET IS CONSTRUCTED FROM GALVANIZED STEEL.
5. THE CABINET IS TO BE MOUNTED THROUGH THE 0.750" HOLES IN THE CABINET LEGS. THE LEGS ARE FORMED FROM 10 GAUGE STEEL.
6. FINISH IS POWDER COAT ON ALL EXTERNAL AND VISIBLE SURFACES. INTERIOR PANELS AND MOUNT BRACKETS ARE GALVANIZED FINISH.
7. CABINET LEGS ARE REVERSIBLE FOR EASY ACCESS TO CABINET FLOOR MOUNTING HARDWARE.

<b>MAINTENANCE BYPASS CABINET FOR SG SERIES UPS</b> <b>225-300KVA, 277V/480V, 3Ø/4W/G, 3 BREAKER</b>			
<b>INTERLOCK CONFIGURATION 2</b>			
<small>THE INFORMATION CONTAINED IN THIS DRAWING IS THE SOLE PROPERTY OF C&amp;C POWER, INC. ANY REPRODUCTION WITHOUT THE WRITTEN CONSENT OF C&amp;C POWER, INC IS PROHIBITED.</small>			
<small>DIMENSIONS ARE IN INCHES</small> <small>TOLERANCES:</small> <small>DECIMALS: .XX ±.13</small> <small>.XXX ±.082</small>	<small>ANGLES:</small> <small>±1°</small>	<small>INITIALS</small> <small>DRAWN TD</small> <small>CHECKED CH</small>	<small>DATE</small> <small>10/24/2019</small> <small>10/24/2019</small>
<small>SCALE: NTS</small> <small>SHEET 1 OF 2</small>	<small>REV: 5</small>	<small>©2019 C&amp;C POWER, INC. ALL RIGHTS RESERVED</small>	

DRAWING # 9832-C2-S001-1 REV 5

**CIRCUIT BREAKER SUMMARY**

KVA	AIC	BREAKER MODEL	LOCATION	TRIP	WIRE RANGE
225	35K @ 480VAC	LD3450	UIB	450A (TMAG)	(2) 4 - 4/0
		LD3350	MBB & MIB	350A (TMAG)	(1) 4/0 - 600
	65K @ 480VAC	HLD3450	UIB	450A (TMAG)	(2) 4 - 4/0
		HLD3350	MBB & MIB	350A (TMAG)	(1) 4/0 - 600
300	35K @ 480VAC	LD3600	UIB	600A (TMAG)	(2) 400 - 500
		LD3500	MBB & MIB	500A (TMAG)	(2) 3/0 - 350
	65K @ 480VAC	HLD3600	UIB	600A (TMAG)	(2) 400 - 500
		HLD3500	MBB & MIB	500A (TMAG)	(2) 3/0 - 350



**NOTES:**

- "UIB" UPS INPUT BREAKER.
- "MBB" MAINTENANCE BYPASS BREAKER.
- "MIB" MAINTENANCE ISOLATION BREAKER.
- ALL INTERNAL ELECTRICAL CONNECTIONS BETWEEN "UIB", "MBB" AND "MIB" ARE MADE USING COPPER BUS BARS.
- 800A RATED NEUTRAL BUS PROVIDED WITH MECHANICAL LUGS THAT ACCEPT A TOTAL OF (8) #6 - 500 MCM CABLES.
- GROUND LUG ACCEPTS (4) #6 - 250 MCM CABLES.
- MECHANICAL LUGS USED FOR THE UTILITY INPUT & THE OUTPUT TO LOAD HAVE THE SAME WIRE RANGE AS THE CIRCUIT BREAKERS.
- THIS DRAWING IS TO BE USED FOR ELECTRICAL PURPOSES ONLY AND DOES NOT REPRESENT THE ACTUAL MECHANICAL LAYOUT OF THE EQUIPMENT.

**KIRK KEY NOTES:**

- THE "E" OR "W" NEXT TO THE INTERLOCK INDICATES THE POSITION OF THE INTERLOCK BOLT WHEN THE KEY IS REMOVABLE. "E" = EXTENDED AND "W" = WITHDRAWN.
- THE KEY OR KEYS NEXT TO THE INTERLOCK INDICATES THE KEY NUMBER THAT FUNCTIONS WITH THE INTERLOCK.

<b>MAINTENANCE BYPASS CABINET FOR SG SERIES UPS</b>			
<b>225-300KVA, 277V/480V, 3Ø/4W/G, 3 BREAKER</b>			
<b>INTERLOCK CONFIGURATION 2</b>			
THE INFORMATION CONTAINED IN THIS DRAWING IS THE SOLE PROPERTY OF C&C POWER, INC. ANY REPRODUCTION WITHOUT THE WRITTEN CONSENT OF C&C POWER, INC IS PROHIBITED.			
DIMENSIONS ARE IN INCHES		INITIALS	DATE
TOLERANCES:		DRAWN TD	10/24/2019
DECIMALS: .XX ±.13	ANGLES: ±1°	CHECKED CH	10/24/2019
.XXX ±.082			
SCALE: SEE A	REV: 5	SHEET 2 OF 2	
NTS		©2019 C&C POWER, INC. ALL RIGHTS RESERVED	



Electrification Product Group  
EP Industrial Solutions Division  
Manufactured by C&C Power for ABB

DRAWING #: 9832-FC2-S001-2 REV 5