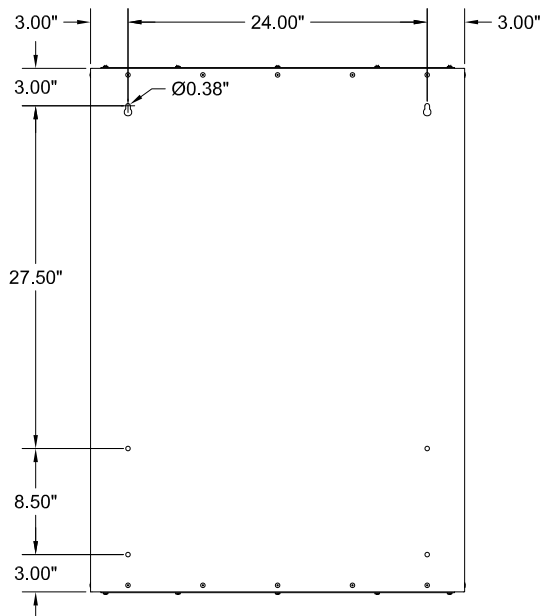
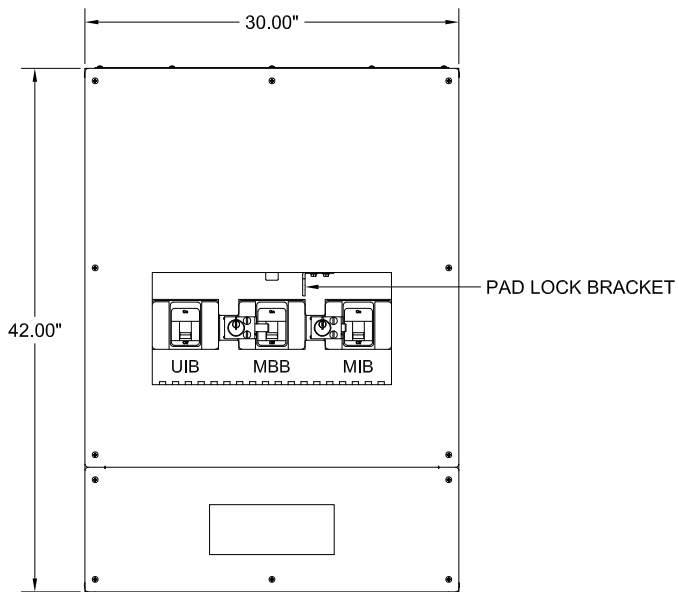


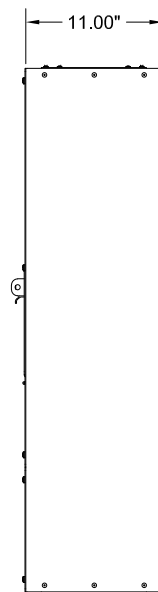
TOP VIEW



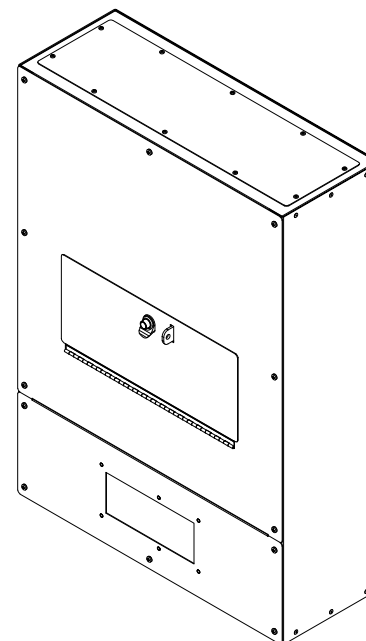
REAR VIEW



FRONT VIEW
(DOOR REMOVED)



RIGHT SIDE VIEW



NOTES:

1. APPROXIMATE WEIGHT: 130 LBS.
2. ASSEMBLY IS UL/CUL LISTED TO UL 891 AND C22.2 NO. 244.
3. NEMA 1 WALL MOUNT ENCLOSURE.
4. THE BOX & TRIM ARE CONSTRUCTED OF GALVANIZED STEEL.
5. THE TRIM FINISH IS POWDER COATED ON ALL EXTERNAL AND VISIBLE SURFACES, BOX AND ALL INTERNAL MOUNT BRACKETS ARE GALVANIZED FINISH
6. THE CABINET IS TO BE MOUNTED THROUGH THE Ø0.375" HOLES IN THE BACK OF THE ENCLOSURE.

WALL MOUNT MAINTENANCE BYPASS BREAKER PANEL
120-225KVA, 277V/480V, 3Ø/4W/G, 3 BREAKER

INTERLOCK CONFIGURATION 2

THE INFORMATION CONTAINED IN THIS DRAWING IS THE SOLE PROPERTY OF C&C POWER, INC. ANY REPRODUCTION WITHOUT THE WRITTEN CONSENT OF C&C POWER, INC IS PROHIBITED.

DIMENSIONS ARE IN INCHES		INITIALS	DATE
TOLERANCES:		DRAWN CH	4/22/2019
DECIMALS: .XX ±.13	ANGLES: ±1°	CHECKED CH	4/22/2019
.XXX ±.082			

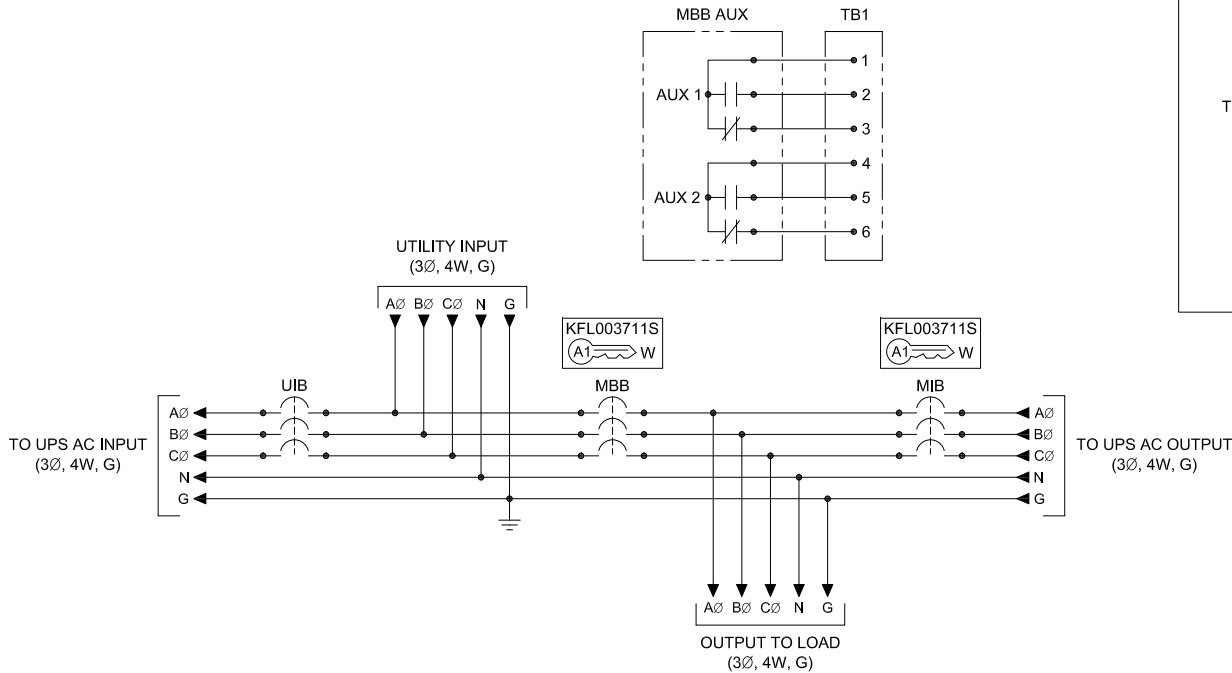


Electrical Products Group
EP Industrial Solutions Division
Manufactured by C&C Power for ABB

SCALE: SEE A NTS

REV: 2 SHEET 1 OF 2

©2019 C&C POWER, INC. ALL RIGHTS RESERVED



NOTES:

1. "UIB" UPS INPUT BREAKER
2. "MBB" MAINTENANCE BYPASS BREAKER
3. "MIB" MAINTENANCE ISOLATION BREAKER
4. ALL INTERNAL ELECTRICAL CONNECTIONS BETWEEN "UIB", "MBB" AND "MIB" ARE MADE USING COPPER BUS BARS.
5. 800A RATED NEUTRAL BUS PROVIDED WITH MECHANICAL LUGS THAT ACCEPT A TOTAL OF (8) #6 - 350 MCM CABLES.
6. GROUND LUG ACCEPTS (3) #6 - 350 MCM CABLES.
7. MECHANICAL LUGS USED FOR THE UTILITY INPUT & THE OUTPUT TO LOAD HAVE THE SAME WIRE RANGE AS THE CIRCUIT BREAKERS.
8. THIS DRAWING IS TO BE USED FOR ELECTRICAL PURPOSES ONLY AND DOES NOT REPRESENT THE ACTUAL MECHANICAL LAYOUT OF THE EQUIPMENT.

KIRK KEY NOTES:

1. THE "E" OR "W" NEXT TO THE INTERLOCK INDICATES THE POSITION OF THE INTERLOCK BOLT WHEN THE KEY IS REMOVABLE. "E" = EXTENDED AND "W" = WITHDRAWN.
2. THE KEY OR KEYS NEXT TO THE INTERLOCK INDICATES THE KEY NUMBER THAT FUNCTIONS WITH THE INTERLOCK.

CIRCUIT BREAKER SUMMARY

UPS SERIES	KVA	AIC	BREAKER MODEL	LOCATION	TRIP	WIRE RANGE
SG & TLE	120	35K @ 480VAC	JD3250	UIB	250A	(1) 4 - 350
			JD3200	MBB & MIB	200A	
		65K @ 480VAC	HJD3250	UIB	250A	
			HJD3200	MBB & MIB	200A	
	150	35K @ 480VAC	KD3300	UIB	300A	(1) 250 - 500
			KD3250	MBB & MIB	250A	
65K @ 480VAC		HKD3300	UIB	300A		
	HKD3250	MBB & MIB	250A			
TLE	160	35K @ 480VAC	KD3300	UIB	300A	(1) 250 - 500
			KD3250	MBB & MIB	250A	
		65K @ 480VAC	HKD3300	UIB	300A	
			HKD3250	MBB & MIB	250A	
	200	35K @ 480VAC	KD3350	UIB	350A	(1) 250 - 500
			KD3300	MBB & MIB	300A	
		65K @ 480VAC	HKD3350	UIB	350A	
			HKD3300	MBB & MIB	300A	
	225	35K @ 480VAC	KD3400	UIB	400A	(2) 3/0 - 250
			KD3350	MBB & MIB	350A	
		65K @ 480VAC	HKD3400	UIB	400A	
			HKD3350	MBB & MIB	350A	

WALL MOUNT MAINTENANCE BYPASS BREAKER PANEL
120-225KVA, 277V/480V, 3Ø/4W/G, 3 BREAKER

INTERLOCK CONFIGURATION 2

THE INFORMATION CONTAINED IN THIS DRAWING IS THE SOLE PROPERTY OF C&G POWER, INC. ANY REPRODUCTION WITHOUT THE WRITTEN CONSENT OF C&G POWER, INC IS PROHIBITED.

DIMENSIONS ARE IN INCHES		INITIALS	DATE
TOLERANCES:		DRAWN	4/22/2019
DECIMALS: .XX ±.13	ANGLES: ±1°	CH	
.XXX ±.082		CHECKED	4/22/2019
CH			

SCALE: SEE A REV: 4 SHEET 2 OF 2

ABB
 Electrifications Product Group
 EP Industrial Solutions Division
 Manufactured by C&G Power for ABB

©2019 C&G POWER, INC. ALL RIGHTS RESERVED

DRAWING #: 99851-FC2-480-SD01-2 REV 4