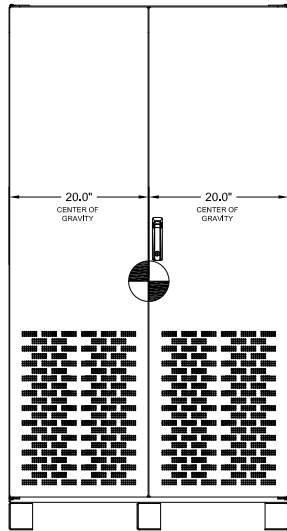
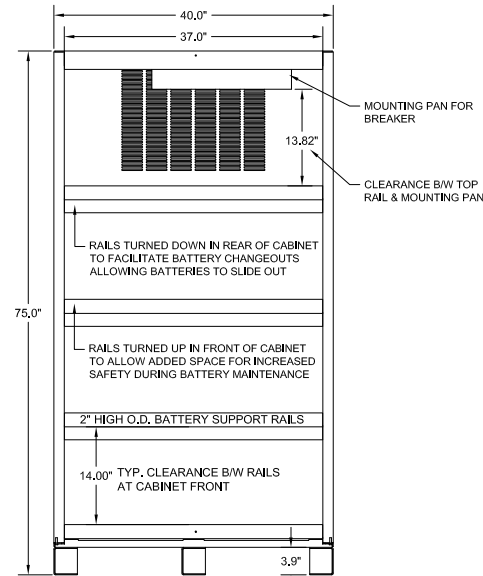


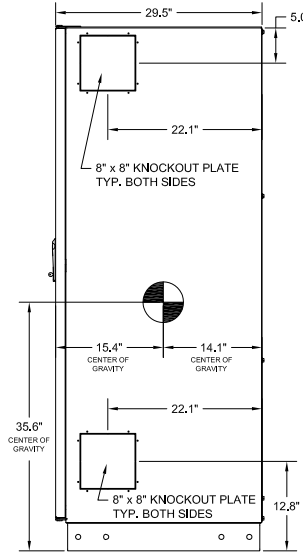
TOP VIEW



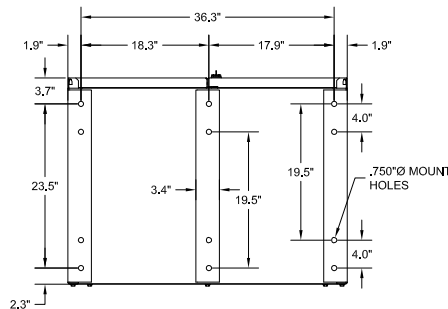
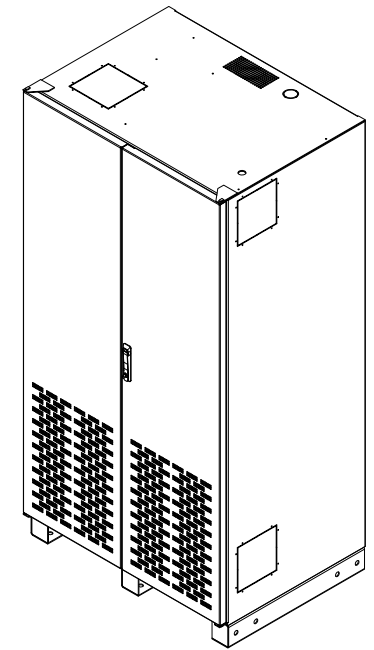
FRONT VIEW



FRONT VIEW (DOORS REMOVED)



RIGHT SIDE VIEW



BOTTOM VIEW

NOTES:

- EMPTY CABINET WEIGHT: 520 LBS
- NEMA 1 ENCLOSED BATTERY CABINET.
- FACTORY ASSEMBLED CABINETS ARE LISTED TO UL 1778.
- HEAVY GAUGE WELDED STEEL CONSTRUCTION.
- FINISH IS BLACK DURABLE CHIP & CORROSION RESISTANT POWDER COAT.
- A MINIMUM REAR CLEARANCE OF 2" IS RECOMMENDED FOR OPTIMAL COOLING OF THE EQUIPMENT.
- FOR EASE OF CONDUIT INSTALLATION, (1) 8" X 8" CONDUIT PLATE IS PROVIDED TO REPLACE A KNOCKOUT IN THE CABINET.
- BATTERIES CAN BE ACCESSED FROM THE FRONT AND REAR.
- CABINET CAN BE MOVED WITH PALLET JACK OR FORK LIFT AT PALLET JACK ACCESS POINTS LOCATED AT FRONT OR REAR OF CABINET. FROM THE SIDES, THE CABINET CAN BE MOVED WITH ROL-A-LIFT TYPE EQUIPMENT MOVER. THE CABINET IS ONLY TO BE LIFTED FROM THE BOTTOM.
- CENTER OF GRAVITY IS FIGURED WITH 540 WATT BATTERIES IN A 480V CONFIGURATION.
- THE BC50S BATTERY CABINET (OPTIONAL CONFIGURATION) HAS BEEN CERTIFIED TO MEET THE 2015 EDITION OF THE INTERNATIONAL BUILDING CODE (IBC) AND THE 2016 EDITION OF THE CALIFORNIA BUILDING CODE (CBC) TO MEET DESIGN CATEGORY F, SS = 2.0 AND IMPORTANCE FACTOR 1.5.

BC50 BATTERY CABINET
FOR USE WITH GE TLE SERIES 50-1000 KVA UPS

MECHANICAL DRAWING

THE INFORMATION CONTAINED IN THIS DRAWING IS THE SOLE PROPERTY OF C&C POWER, INC. ANY REPRODUCTION WITHOUT THE WRITTEN CONSENT OF C&C POWER, INC IS PROHIBITED.

DIMENSIONS ARE IN INCHES		INITIALS	DATE
TOLERANCES:		DRAWN JRL	08/11/2017
DECIMALS: .XX ±.13	ANGLES: ±1°	CHECKED CH	08/11/2017
.XXX ±.082			



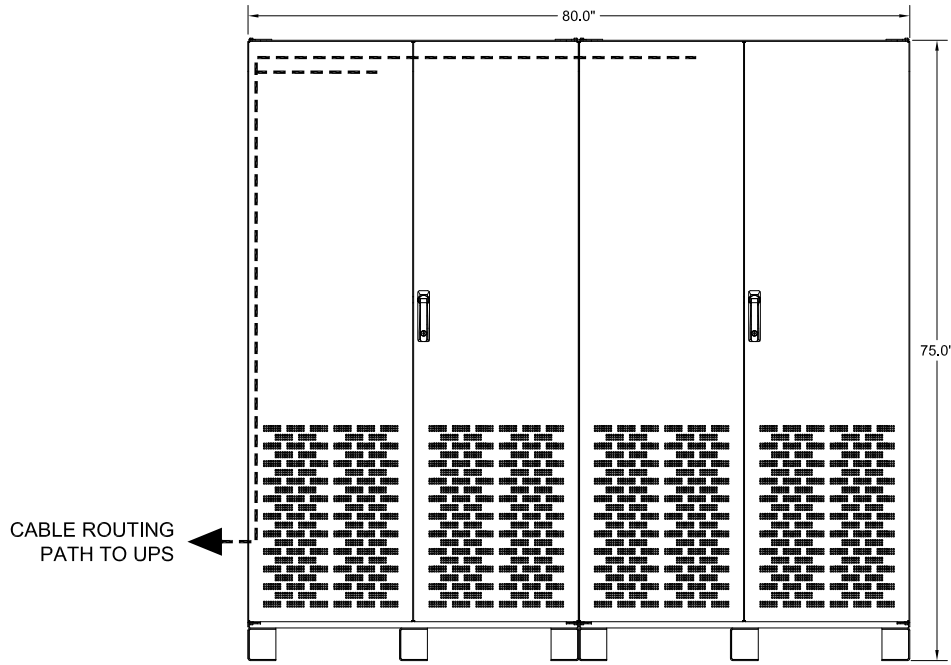
Manufactured by C&C Power for GE

SCALE: SEE A
NTS

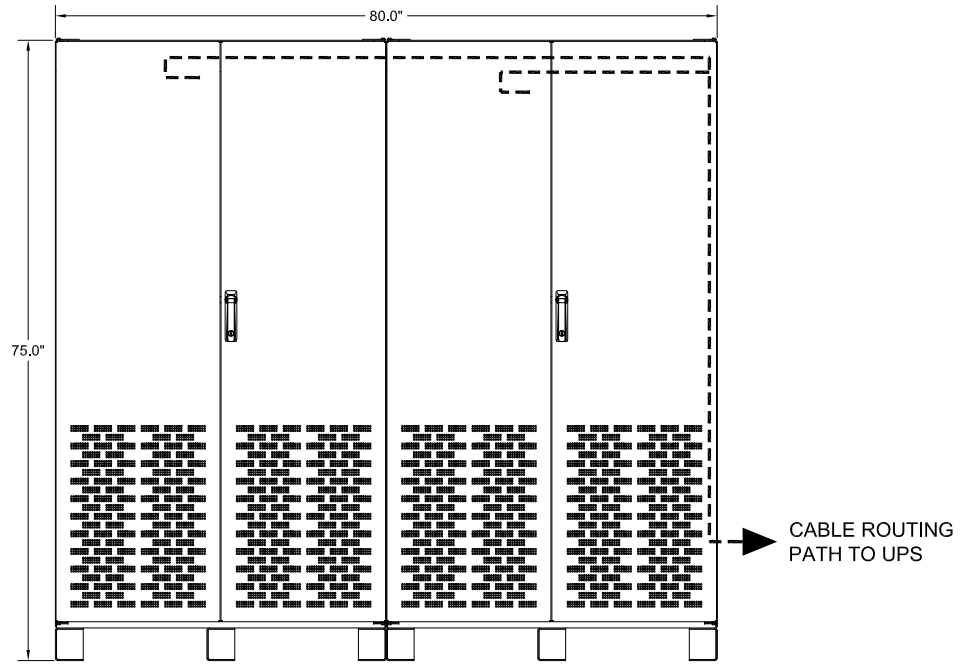
REV: 1
SHEET 1 OF 1

© 2017 C&C POWER, INC. ALL RIGHTS RESERVED

DRAWING # 91459-SDF02-TLEMT REV 1




FRONT VIEW
(UPS ON LEFT SIDE OF LINEUP)



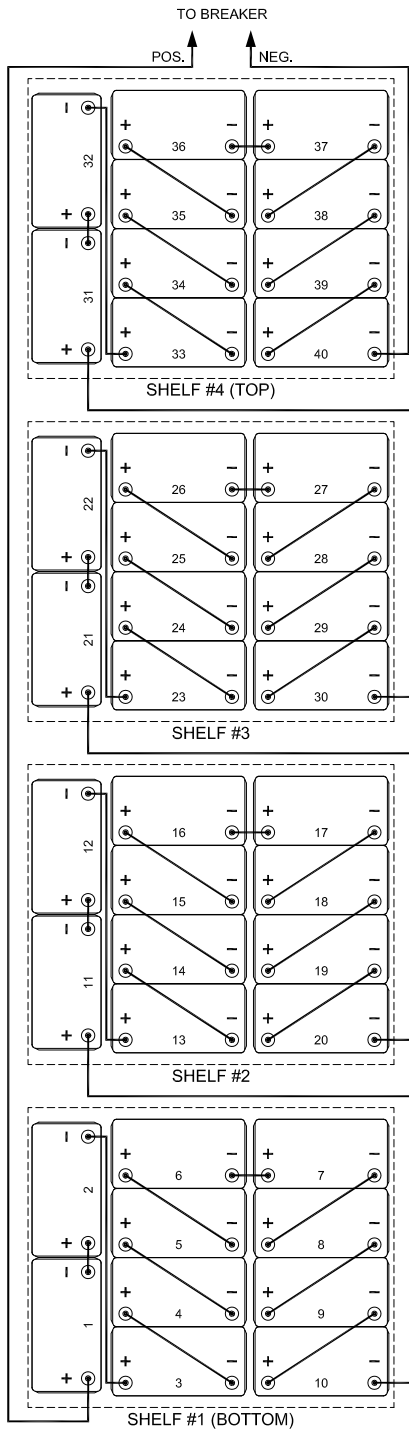
FRONT VIEW
(UPS ON RIGHT SIDE OF LINEUP)

BC50 (2) BATTERY CABINET SYSTEM			
FOR USE WITH GE TLE SERIES 50-400 KVA UPS			
MECHANICAL DRAWING			
THE INFORMATION CONTAINED IN THIS DRAWING IS THE SOLE PROPERTY OF C&C POWER, INC. ANY REPRODUCTION WITHOUT THE WRITTEN CONSENT OF C&C POWER, INC IS PROHIBITED.			
DIMENSIONS ARE IN INCHES		INITIALS	DATE
TOLERANCES:		DRAWN JRL	08/10/2017
DECIMALS: .XX ±.13	ANGLES: ±1°	CHECKED CH	08/10/2017
SCALE: NTS	SIZE: A	REV: 1	SHEET 1 OF 2

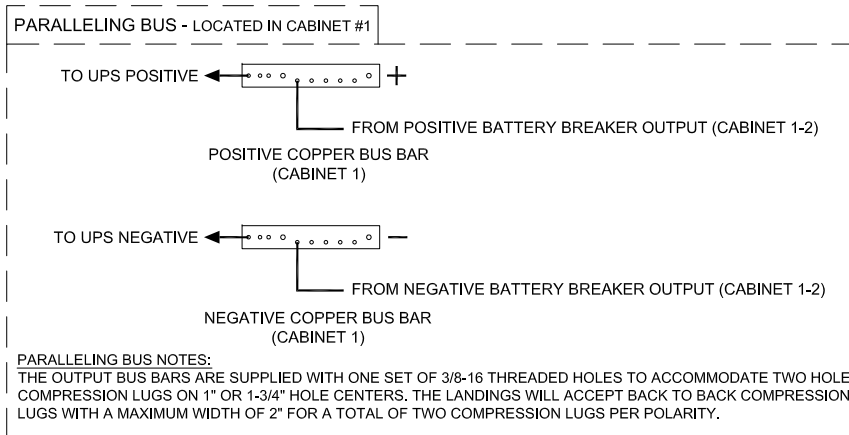


Manufactured by C&C Power for GE

© 2017 C&C POWER, INC. ALL RIGHTS RESERVED



480 VDC WIRING
TYPICAL PER CABINET

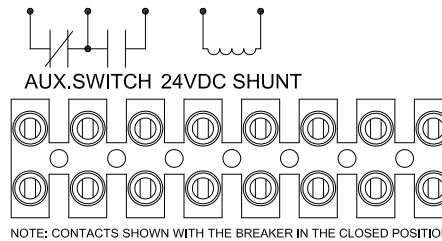
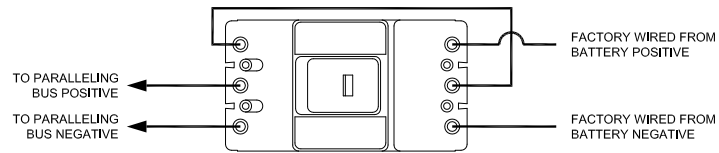


CABLE KIT SIZING		
MAIN BREAKER MAX AMPS	INTERCABINET	MAINS TO UPS
125	4 AWG THHW	1 AWG THHW
150	2 AWG THHW	1/0 AWG THHW
175	1 AWG THHW	2/0 AWG THHW
300	4/0 AWG THHW	(2) 2/0 AWG THHW
400	(2) 1/0 AWG THHW	(2) 4/0 AWG THHW
600	(2) 4/0 AWG THHW	(2) 350 MCM THHW

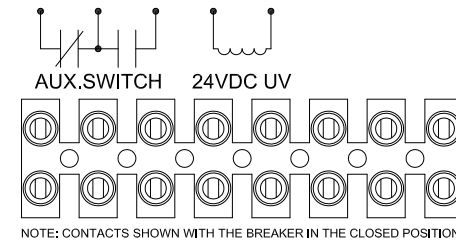
TLE 50KVA - 150KVA
SYSTEMS INCLUDE INTER-CABINET CONNECTING CABLES AND MAINS TO UPS

TLE 200KVA - 225KVA
SYSTEMS DO NOT INCLUDE INTER-CABINET CONNECTING CABLES AND MAINS TO UPS
(CAN BE PURCHASED SEPARATELY)

BREAKER WIRING



**50KVA - 150KVA TLE SERIES
BREAKER ACCESSORIES**



**200KVA - 225KVA TLE SERIES
BREAKER ACCESSORIES**

NOTES:

1. ALL INTERNAL WIRING IS UL LISTED, MTW, STYLE, 105C, EXTRA FLEXIBLE CABLE.
2. BREAKER IS UL LISTED.
3. BATTERY CABINETS WITH BREAKERS ARE SHIPPED WITH BREAKER IN THE OFF/OPEN POSITION.
4. MAIN CABLES FROM BATTERY CABINET TO UPS ARE SIZED FOR A "SIDE BY SIDE" LINEUP WITH THE UPS.
5. BREAKER ACCESSORY TERMINAL BLOCK IS SHOWN WITH OPTIONAL ACCESSORIES.
6. CABINETS ARE SHIPPED WITH A BATTERY JUMPER REMOVED TO BREAK STRING VOLTAGE FOR ADDED SAFETY IN SHIPPING.
7. GROUND CONNECTION IS #14-2/0 AWG MECHANICAL LUG.

BC50 (2) BATTERY CABINET SYSTEM			
FOR USE WITH GE TLE SERIES 50-225 KVA UPS			
ELECTRICAL DRAWING			
THE INFORMATION CONTAINED IN THIS DRAWING IS THE SOLE PROPERTY OF C&C POWER, INC. ANY REPRODUCTION WITHOUT THE WRITTEN CONSENT OF C&C POWER, INC IS PROHIBITED.			
DIMENSIONS ARE IN INCHES	INITIALS	DATE	
TOLERANCES:	DRAWN JRL	08/10/2017	
DECIMALS: .XX ±.13	CHECKED CH	08/10/2017	
ANGLES: ±1"			
SCALE: NTS	SER: A	REV: 1	SHEET 2 OF 2



Manufactured by C&C Power for GE

© 2017 C&C POWER, INC. ALL RIGHTS RESERVED