



## **GEM Prints for Mini-Contactor**

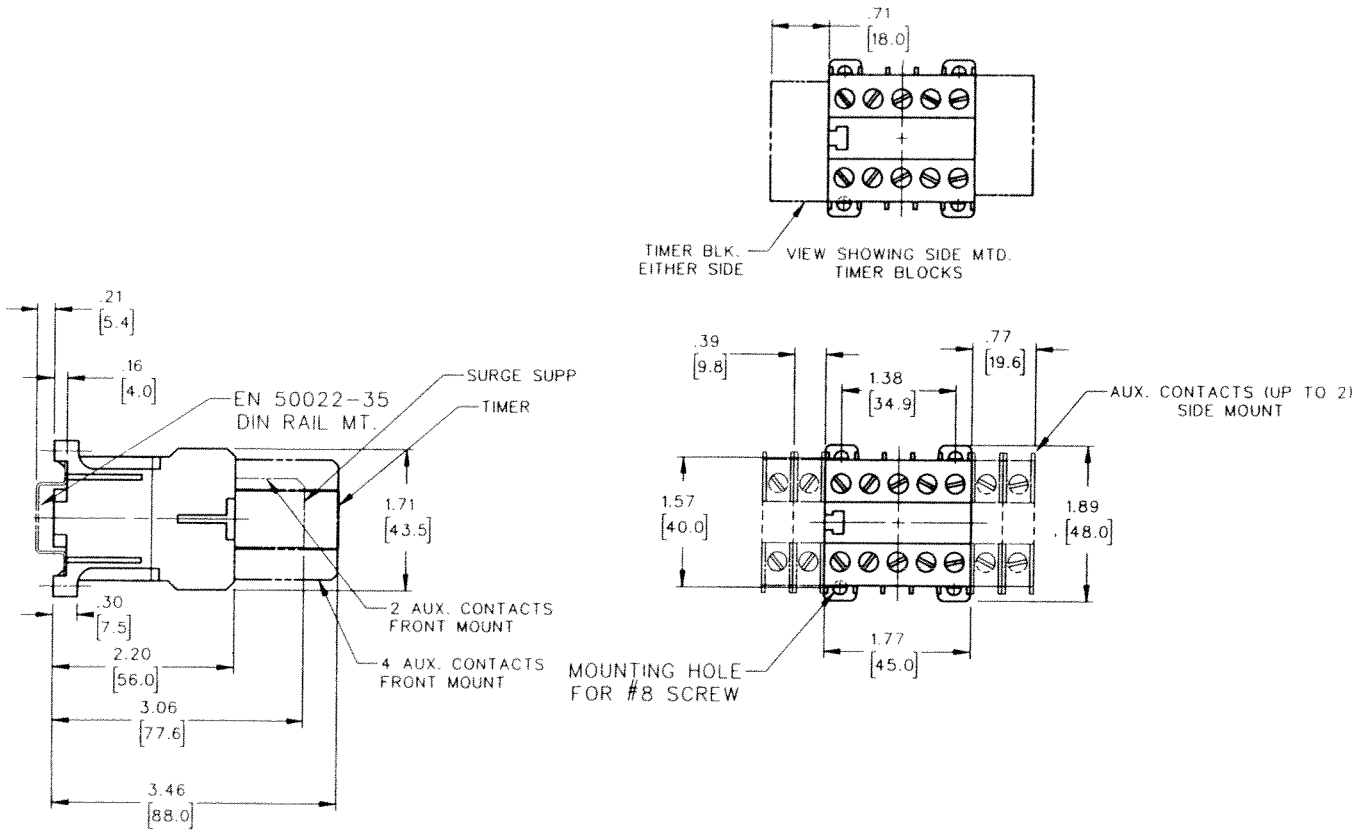
### **Dimensional Data**

GEM-3006	Type CAE AC Operated Contactor
GEM-3007	Type CAEC DC Operated Contactor
GEM-3008	Type CAE_____I AC Contactor for Printed Circuit Board Mounting
GEM-3009	Type CAEC_____I DC Contactor for Printed Circuit Board Mounting
GEM-3010	AC Operated Starter Type CAE Contactor plus Type BRE Overload Relay
GEM-3011	DC Operated Starter Type CAEC Contactor plus Type BRE Overload Relay
GEM-3012	Type TLIE AC Operated Reversing Contactor
GEM-3013	Type TLICE DC Operated Reversing Contactor
GEM-3014	Type TLIE AC Reversing Contactor for Printed Circuit Board Mounting
GEM-3015	Type TLICE DC Reversing Contactor for Printed Circuit Board Mounting
GEM-3016	AC Reversing Starters Type TLIE Reversing Contactor plus Type BRE Overload Relay
GEM-3017	DC Reversing Starters Type TLICE Reversing Contactor plus Type BRE Overload Relay
GEM-3018	Panel Mount Overload Relay Type BRE Overload Relay plus BSIBRE Base plus Type MVEBRE Terminal Block
GEM-3019	Type EAE AC Operated Relay
GEM-3020	Type EAEC DC Operated Relay
GEM-3021	Type EAE_____I AC Relay for Printed Circuit Board Mounting
GEM-3022	Type EAEC_____I DC Relay for Printed Circuit Board Mounting



# Control

## Type CAE AC Operated Contactor



### NOTES:

1. All dimensions for estimating only.
2. Dim's in brackets are metric.
3. Wire size #14-18AWG.



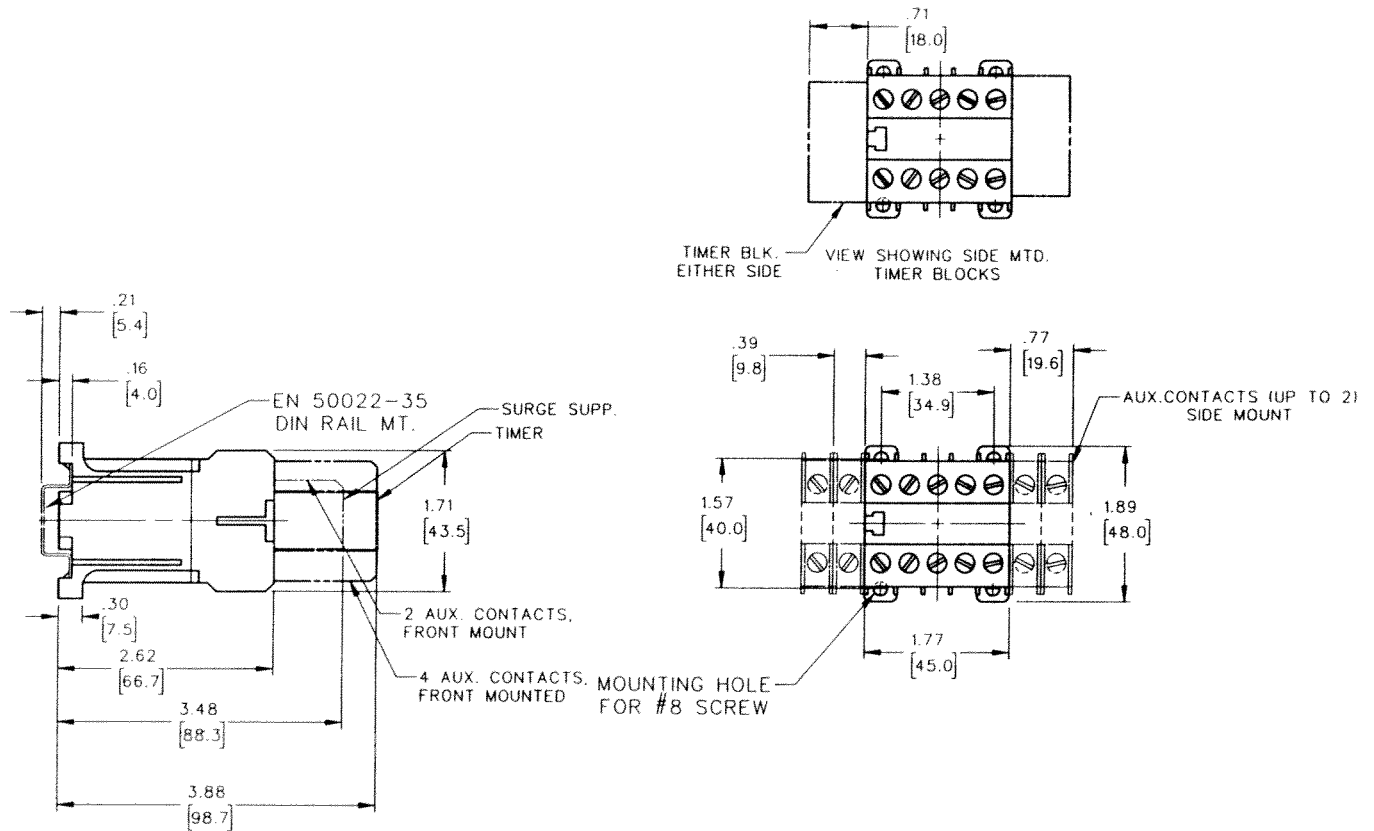
**GE Electrical Distribution & Control**

General Electric Company  
41 Woodford Ave., Plainville, CT 06062



# Control

## Type CAEC DC Operated Contactor



### NOTES:

1. All dimensions for estimating only.
2. Dim's in brackets are metric.
3. Wire size #14-18AWG.



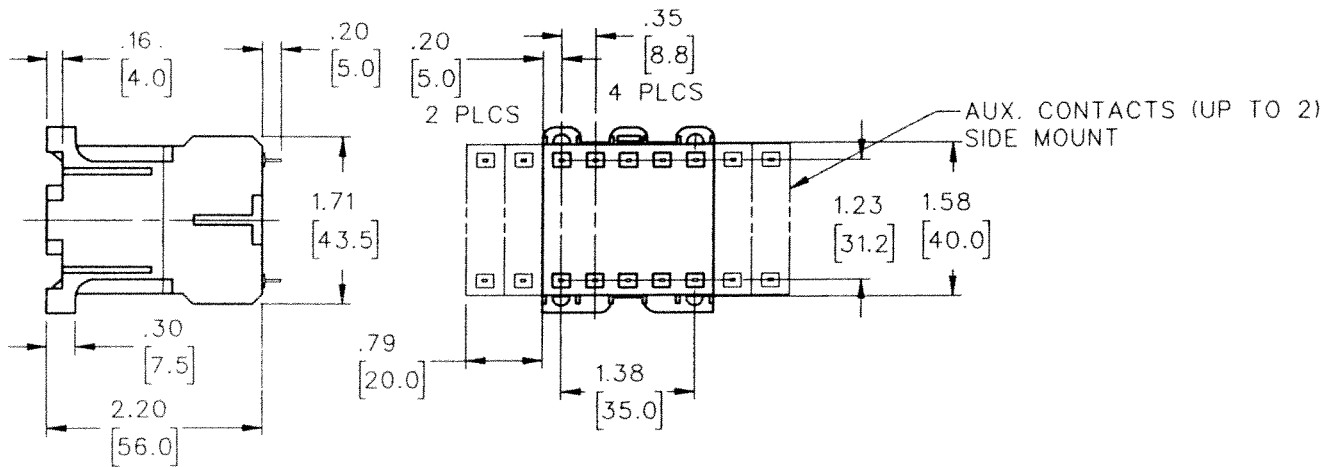
**GE Electrical Distribution & Control**

General Electric Company  
41 Woodford Ave., Plainville, CT 06062



## **Control**

# Type CAE --- I AC Contactor for Printed Circuit Board Mounting



### **NOTES:**

1. All dimensions for estimating only.
2. Dim's in brackets are metric.

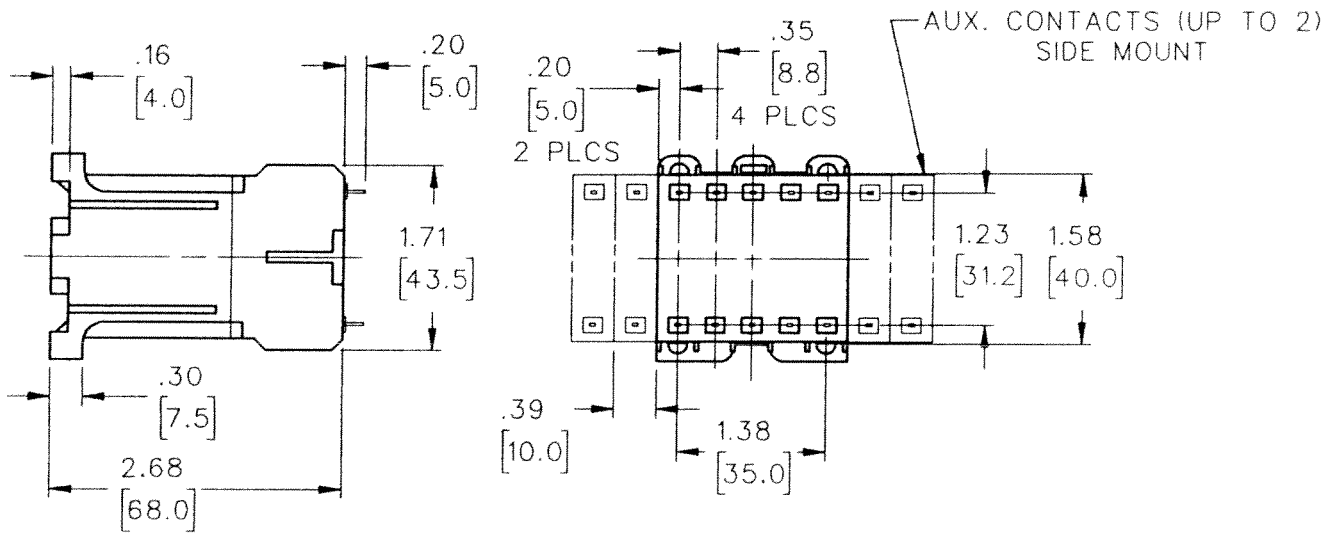


**GE Electrical Distribution & Control**



# Control

## Type CAEC --- I DC Contactor for Printed Circuit Board Mounting



### NOTES:

1. All dimensions for estimating only.
2. Dim's in brackets are metric.



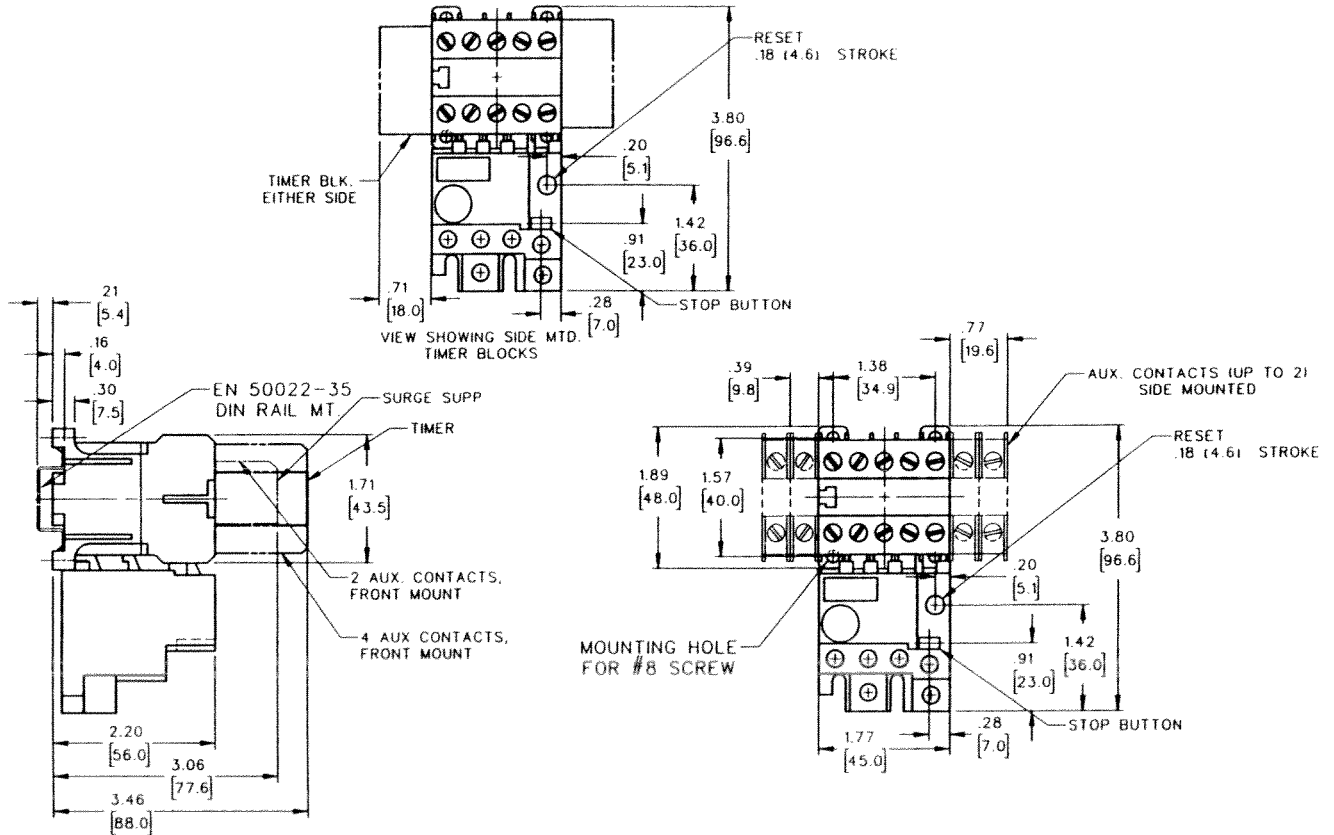
**GE Electrical Distribution & Control**

General Electric Company  
41 Woodford Ave., Plainville, CT 06062



# Control

## AC Operated Starter Type CAE Contactor plus Type BRE Overload Relay



### NOTES:

1. All dimensions for estimating only.
2. Dim's in brackets are metric.
3. Wire size #14-18AWG.



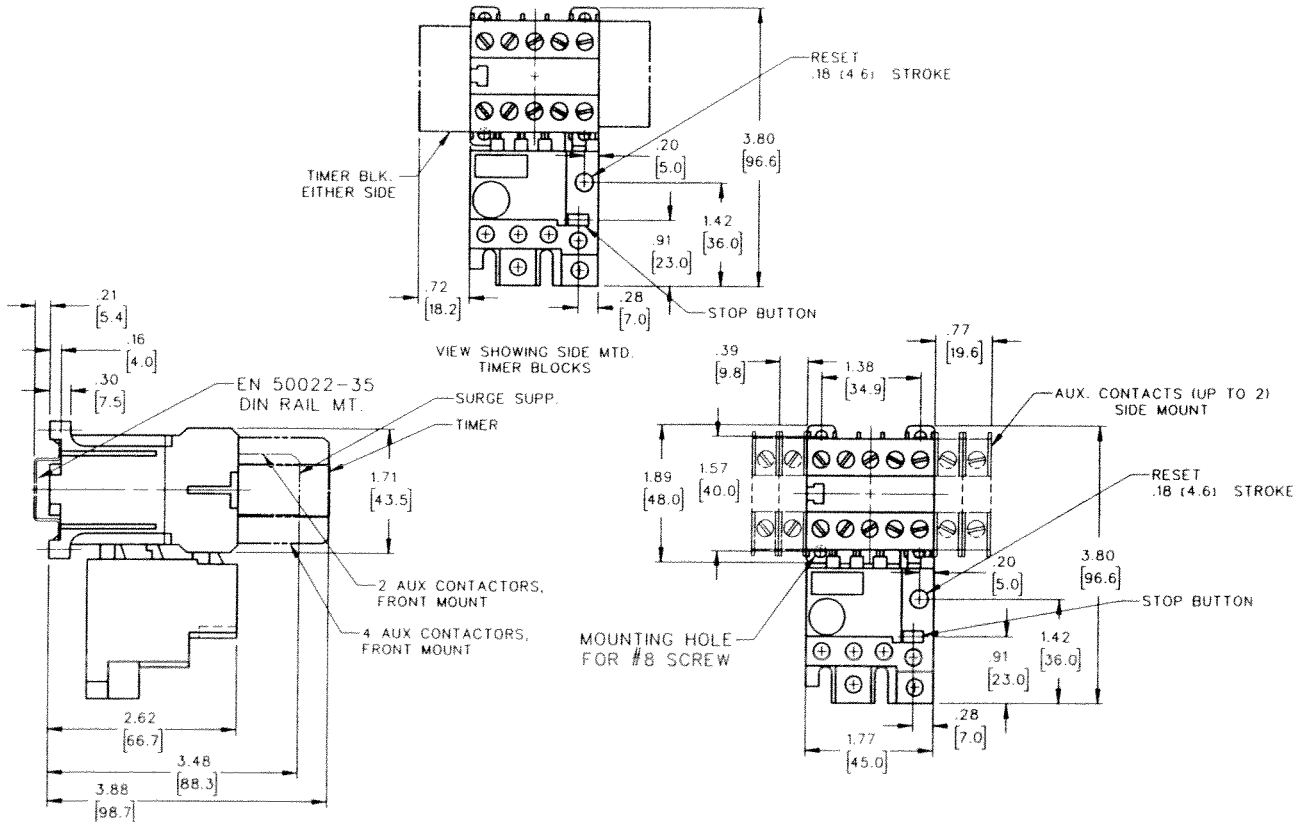
**GE Electrical Distribution & Control**

General Electric Company  
41 Woodford Ave., Plainville, CT 06062



# Control

## DC Operated Starter Type CAEC Contactor plus Type BRE Overload Relay



### NOTES:

1. All dimensions for estimating only.
2. Dim's in brackets are metric.
3. Wire size #14-18AWG.



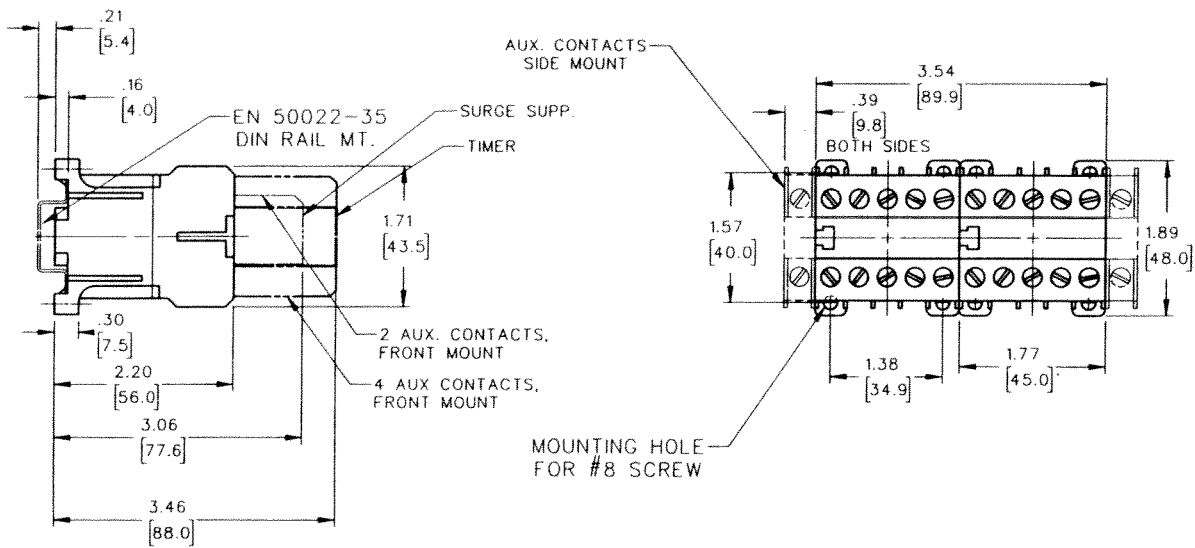
**GE Electrical Distribution & Control**

General Electric Company  
41 Woodford Ave., Plainville, CT 06062



# Control

## Type TLIE AC Operated Reversing Contactor



### NOTES:

1. All dimensions for estimating only.
2. Dim's in brackets are metric.
3. Wire size #14-18AWG.



**GE Electrical Distribution & Control**

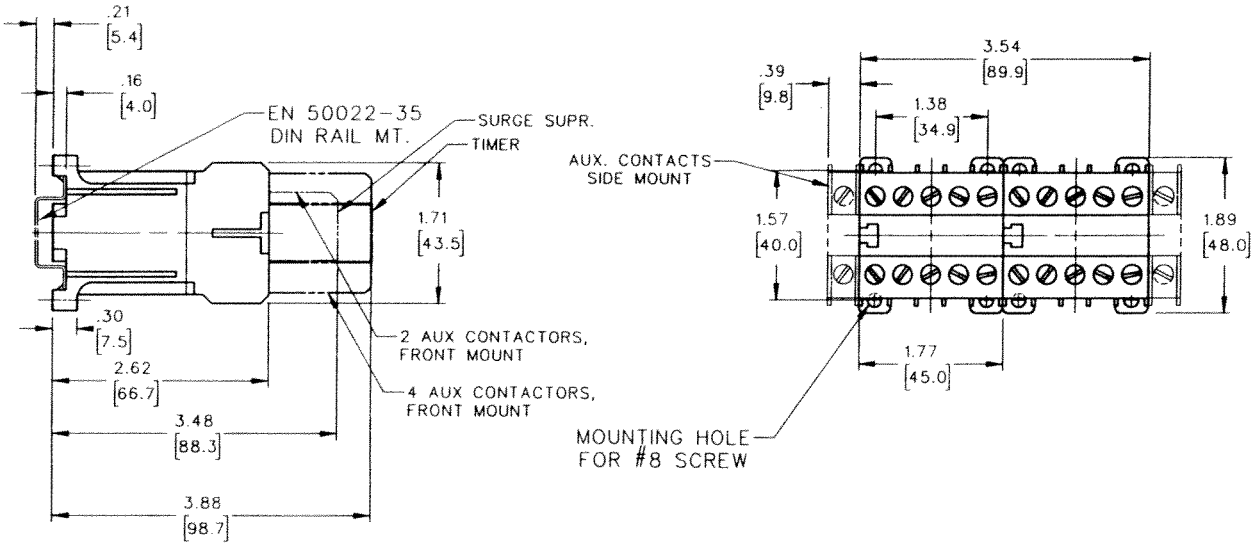
General Electric Company  
41 Woodford Ave., Plainville, CT 06062





# Control

## Type TLICE DC Operated Reversing Contactor



### NOTES:

1. All dimensions for estimating only.
2. Dim's in brackets are metric.
3. Wire size #14-18AWG.



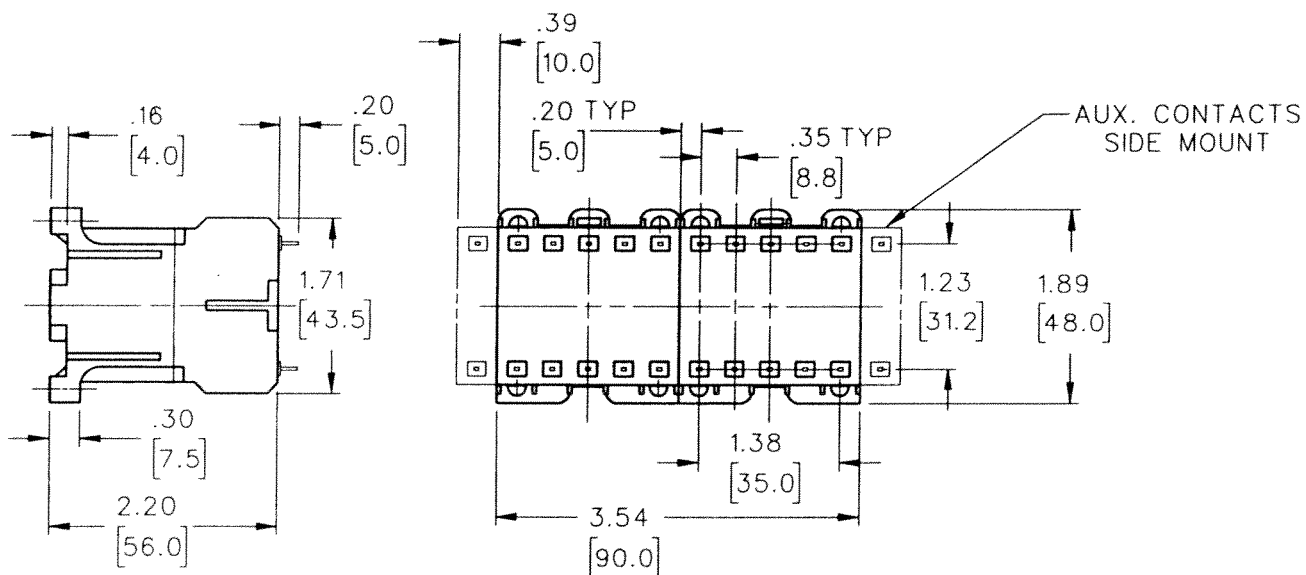
**GE Electrical Distribution & Control**

General Electric Company  
41 Woodford Ave., Plainville, CT 06062



# Control

## Type TLIE AC Reversing Contactor for Printed Circuit Board Mounting



### NOTES:

- 1. All dimensions for estimating only.
- 2. Dim's in brackets are metric.

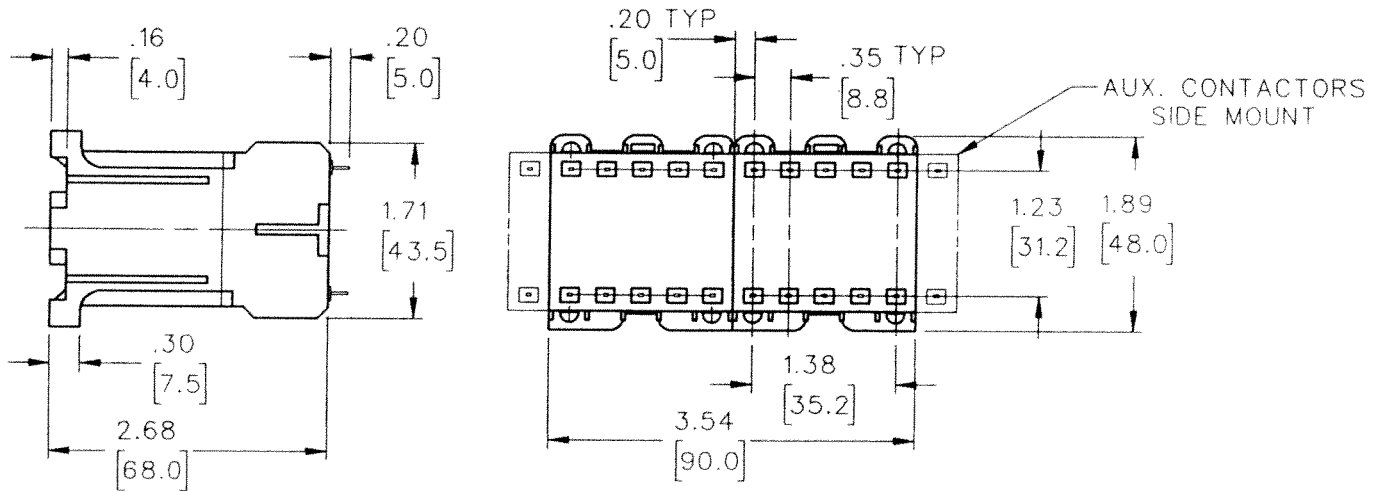


**GE Electrical Distribution & Control**



# Control

## Type TLICE DC Reversing Contactor for Printed Circuit Board Mounting



### NOTES:

1. All dimensions for estimating only.
2. Dim's in brackets are metric.

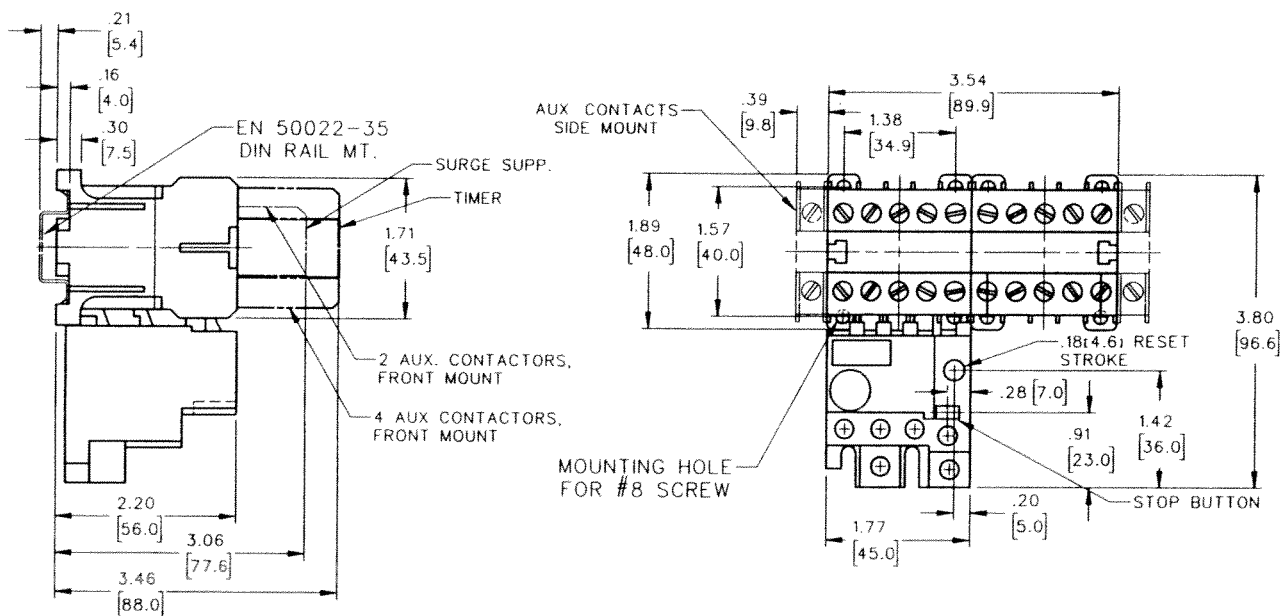


**GE Electrical Distribution & Control**



# Control

## AC Reversing Starters Type TLIE Reversing Contactor plus Type BRE Overload Relay



### NOTES:

1. All dimensions for estimating only.
2. Dim's in brackets are metric.
3. Wire size #14-18AWG.



**GE Electrical Distribution & Control**

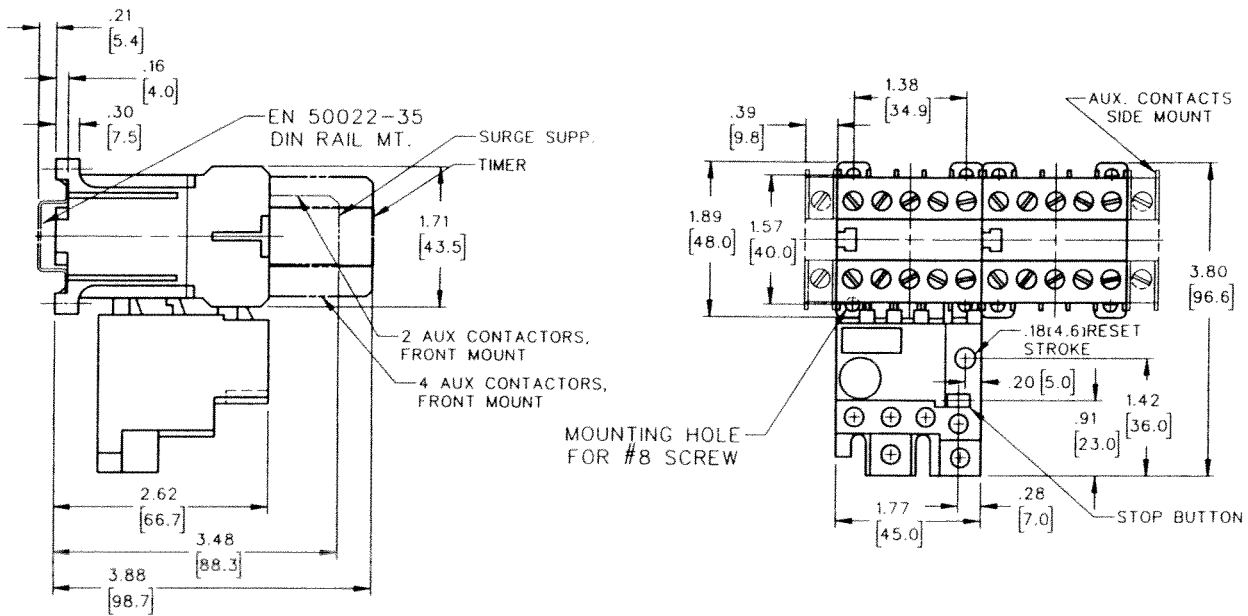
General Electric Company  
41 Woodford Ave., Plainville, CT 06062

© 1992 General Electric Company



# Control

## DC Reversing Starters Type TLICE Reversing Contactor plus Type BRE Overload Relay



### NOTES:

1. All dimensions for estimating only.
2. Dim's in brackets are metric.
3. Wire size #14-18AWG.



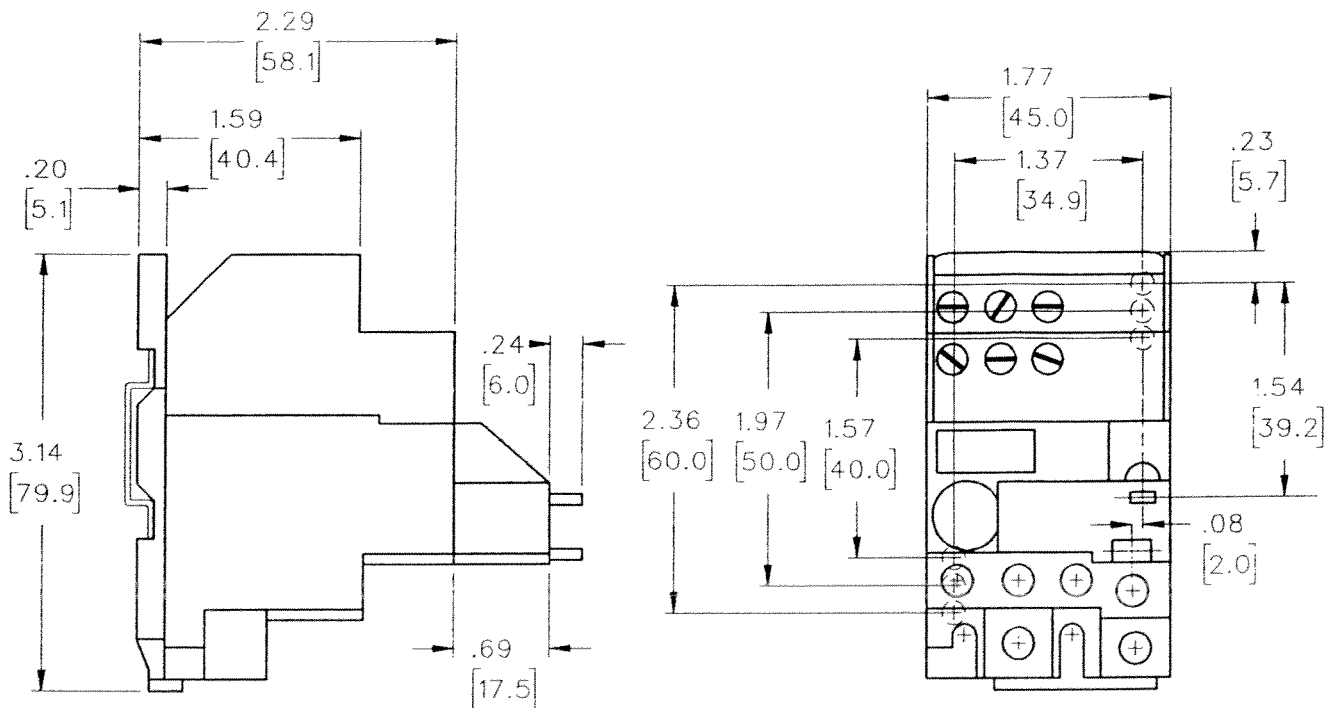
**GE Electrical Distribution & Control**

General Electric Company  
41 Woodford Ave., Plainville, CT 06062



# Control

## Panel Mount Overload Relay Type BRE Overload Relay plus BSIBRE Base plus Type MVEBRE Terminal Block



### NOTES:

1. All dimensions for estimating only.
2. Dim's in brackets are metric.
3. Wire size #14-18AWG.



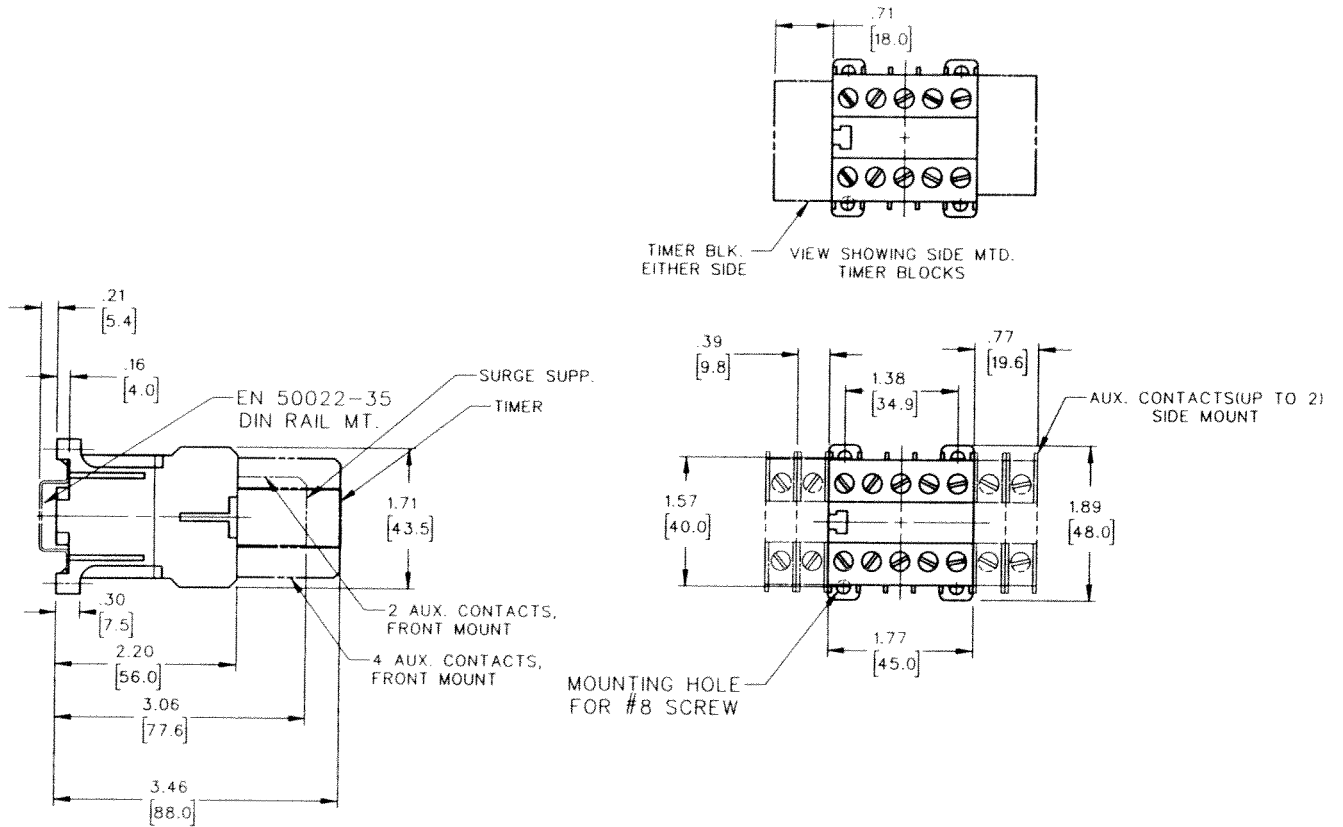
**GE Electrical Distribution & Control**

General Electric Company  
41 Woodford Ave., Plainville, CT 06062



# Control

## Type EAE AC Operated Relay



### NOTES:

1. All dimensions for estimating only.
2. Dim's in brackets are metric.
3. Wire size #14-20AWG.



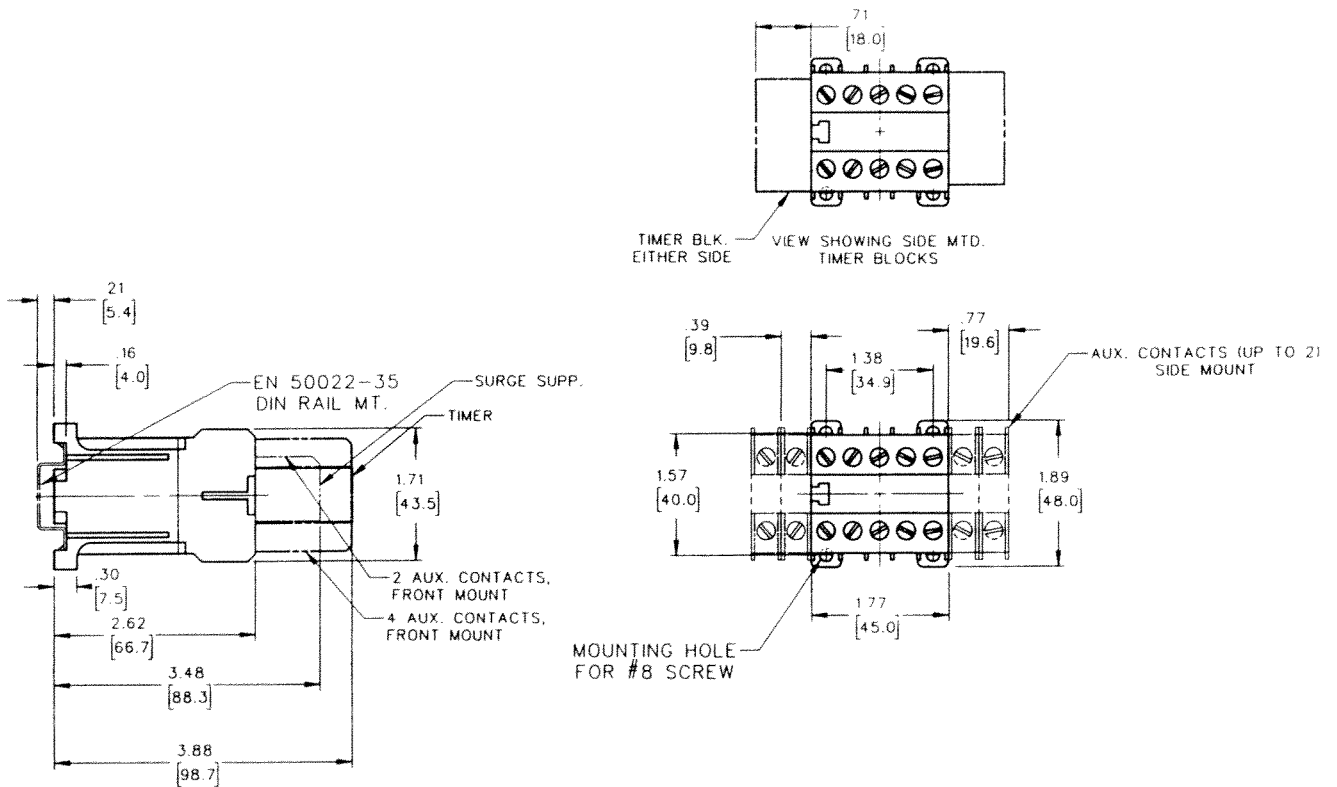
**GE Electrical Distribution & Control**

General Electric Company  
41 Woodford Ave., Plainville, CT 06062



# Control

## Type EAEC DC Operated Relay



### NOTES:

1. All dimensions for estimating only.
2. Dim's in brackets are metric.
3. Wire size #14-20AWG.



**GE Electrical Distribution & Control**

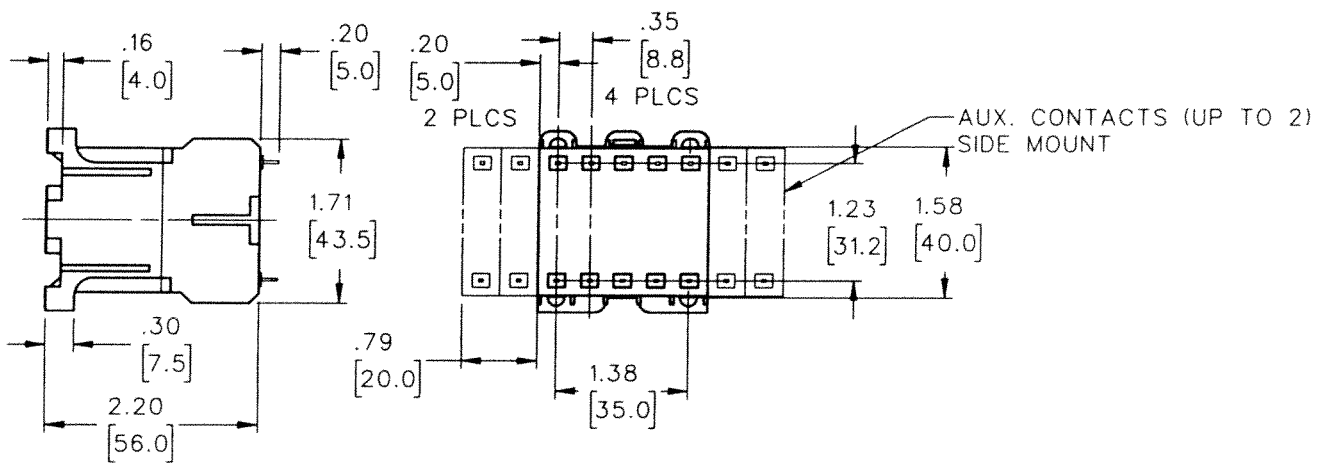
General Electric Company  
41 Woodford Ave., Plainville, CT 06062





# Control

## Type EAE -- I AC Relay for Printed Circuit Board Mounting



### NOTES:

1. All dimensions for estimating only.
2. Dim's in brackets are metric.

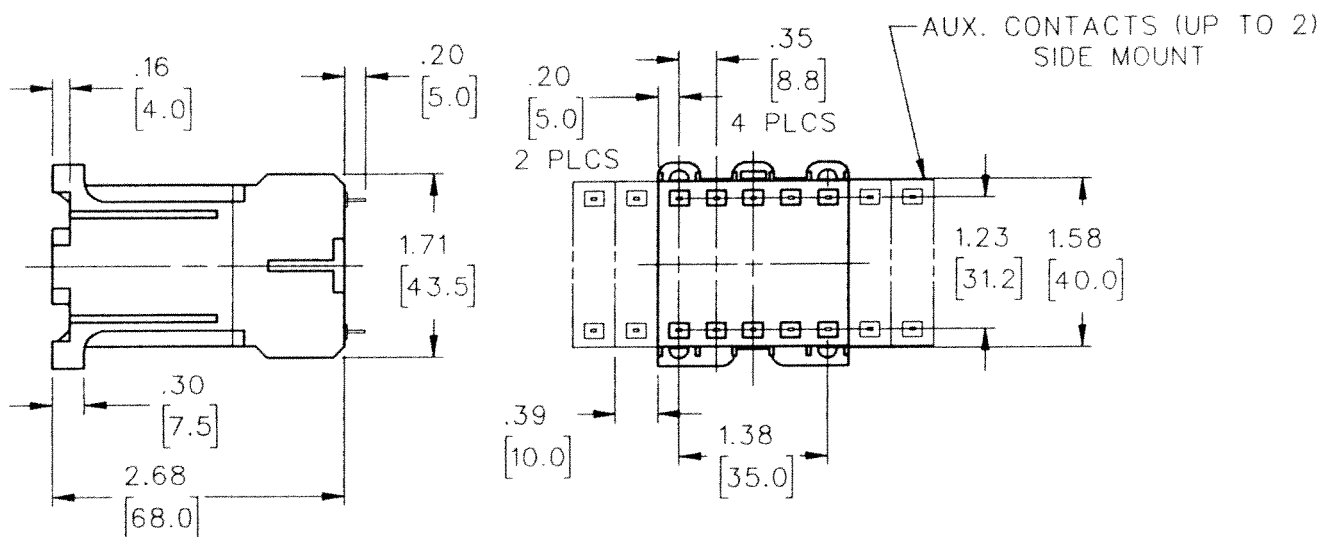


**GE Electrical Distribution & Control**



## Control

### Type EAEC -- I DC Relay for Printed Circuit Board Mounting



#### NOTES:

1. All dimensions for estimating only.
2. Dim's in brackets are metric.



**GE Electrical Distribution & Control**

General Electric Company  
41 Woodford Ave., Plainville, CT 06062