



# Breakmaster™ Load Interrupter Switch with Automatic Transfer Switch

A load interrupter switch that uses advanced digital technology and motor operators to switch to emergency power when normal power fails.

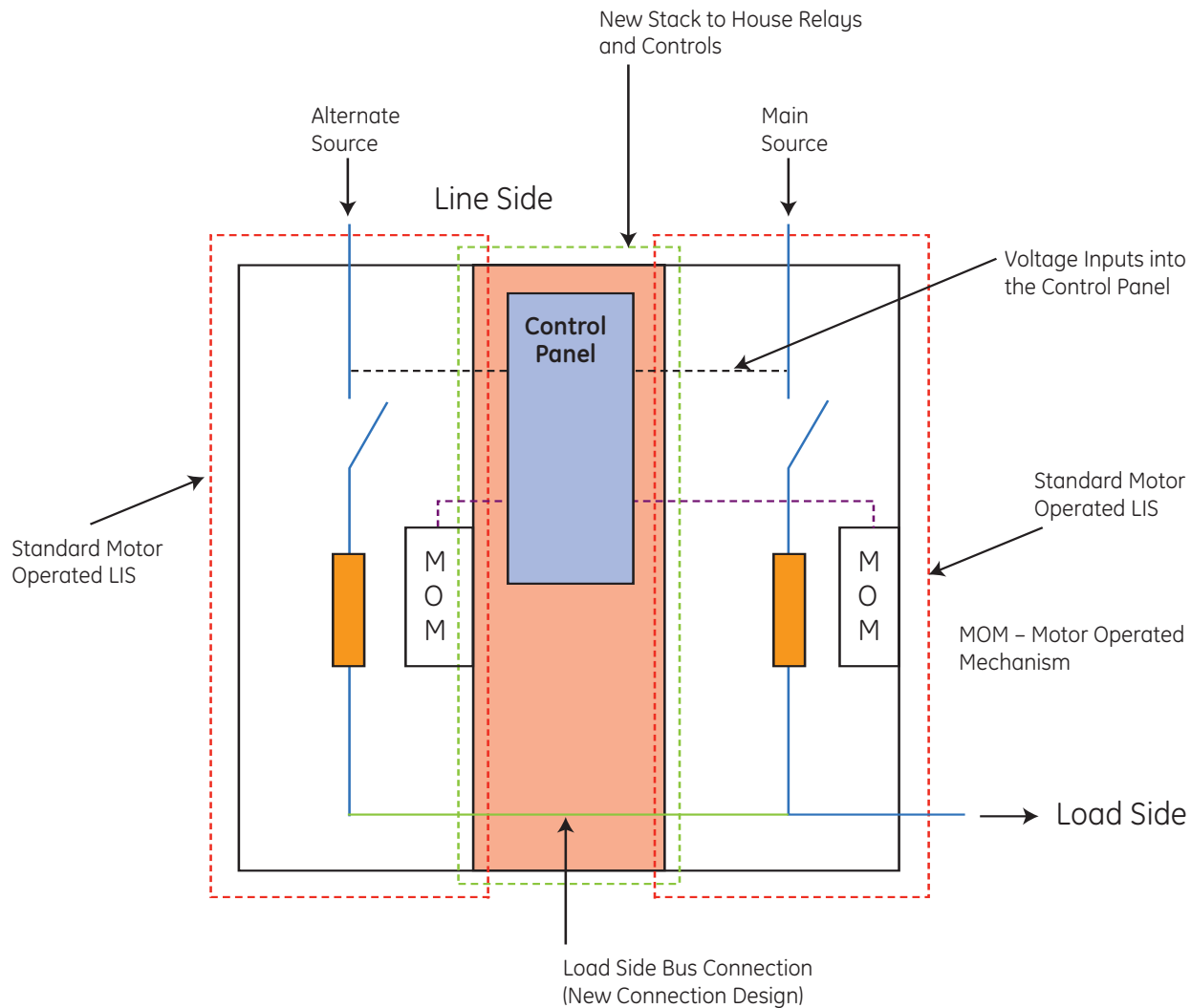
- Multiple switching options
- Solid state controls
- Small footprint
- Economical design



imagination at work

# Breakmaster™ Load Interrupter Switch with Automatic Transfer Switch

- Voltage: 5/15 kv
- Rating current: 600A and 1200A
- Basic impulse level: 60 or 95kv
- Power transfer timing: 7 seconds
- Zenith MX250 control module
- Motor operated switch mechanism
- Testing standards: UL 1008A
- Enclosures: NEMA 1, 3R



Information provided is subject to change without notice. Please verify all details with GE. All values are design or typical values when measured under laboratory conditions, and GE makes no warranty or guarantee, express or implied, that such performance will be obtained under end-user conditions.

**GE Consumer & Industrial**  
41 Woodford Avenue, Plainville, CT 06062  
www.geelectrical.com  
© 2008 General Electric Company

