

# GE Meter in a Box (MIB)

With GE's Meter in a Box, designing or expanding your electrical distribution system just got a whole lot easier...

## Key Product Features

- Ease of ordering – all necessary components to interface with a meter included.
- Internal wiring completed for you, just connect your wires to the terminal board – reduced risk of wiring mistakes and accelerated installation.
- Small enclosure profile allows for increased flexibility when choosing a mounting location.
- Elementary diagrams are available in electronic format... or ask GE for a quote to update your drawing.
- UL/CUL listed.
- Optional: customer-specified meter (GE Multilin™, Schweitzer, Other)

## Product Description

*Subject to change without notice*

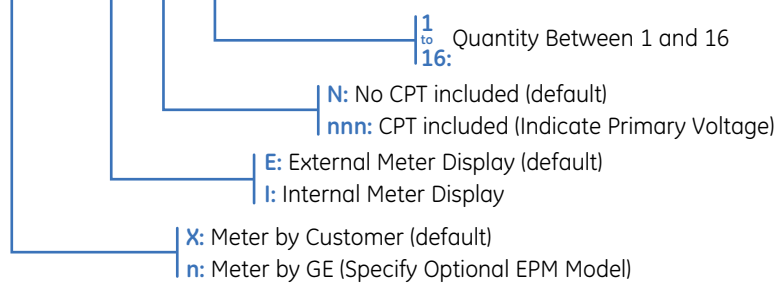
<b>NEMA Rating</b>	Type 12 or Type 4*
<b>Device Rating</b>	Wiring and power terminal block rated for 600V
<b>Dimensions</b>	12" wide x 16" high x 8" deep (Metric: 305 mm x 406 mm x 203 mm)
<b>Latch</b>	Pad Lockable hasp
<b>Wiring</b>	Wired for 3, 4-wire applications: CT shorting terminal block, fused voltage disconnect, control power, and 12 pt. input/output TB.
<b>Optional Features</b>	<b>Control Power Transformer</b> – Provides 50 VA control power supply where monitored voltage is above 265 VAC <b>Internal Hinged Meter Display</b> – preserves NEMA 4 rating if panel is otherwise properly installed <b>Meter</b> – Shown with Optional GE Multilin EPM

\* Internal Display Option Only

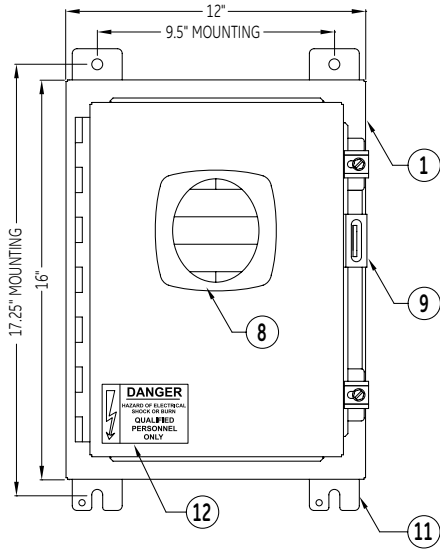


## Ordering

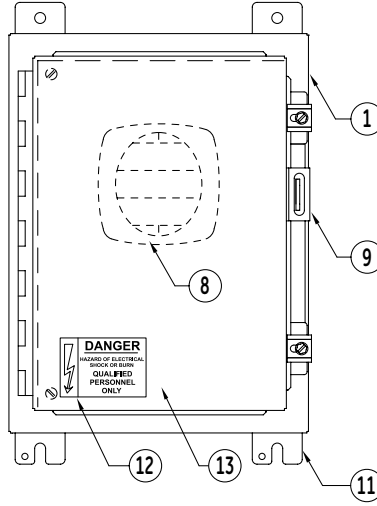
MIB - □□□□ - □ - □ - □ - X - X - X



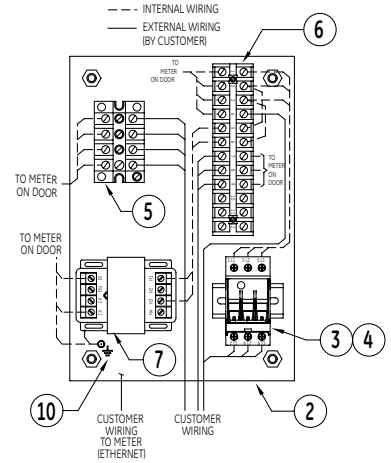
MIB-EPM Style 01W with External Meter Display



MIB-EPM Style 01W with Internal Meter Display

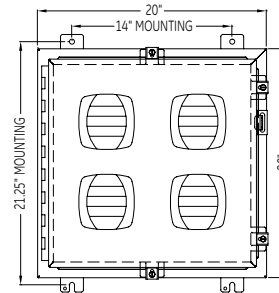


MIB-EPM Style 01W Internal Wiring

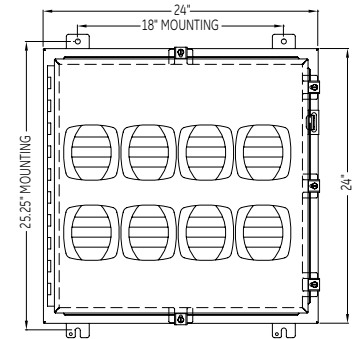


Item # (from drawings)	Standard Component Description <i>Subject to change without notice</i>
1	ENCLOSURE
2	SUBPANEL
3	FUSE BLOCK (FINGER SAFE)
4	FUSES
5	4PT. SHORT CIRCUIT TERMINAL BLOCK
6	12PT. TERMINAL BLOCK
7	CP TRANSFORMER
8	EPM METER LOCATION (METER SUPPLIED SEPARATELY)
9	HASP STYLE DOOR LOCK (CUSTOMER PADLOCK)
10	GROUND
11	ENCLOSURE MOUNTING
12	DANGER, CAUTION, UL LISTED & SERIAL # LABELS
13	<b>OPTION:</b> HINGED METER SUBPLATE FOR INTERNAL METER DISPLAY

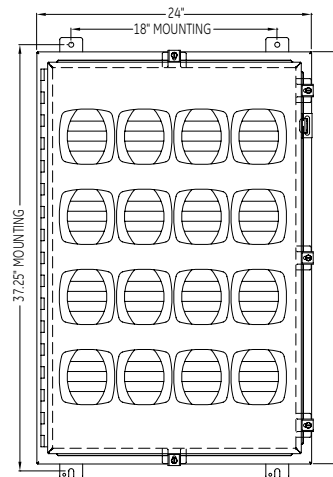
Style 04W (2 to 4 Meters)



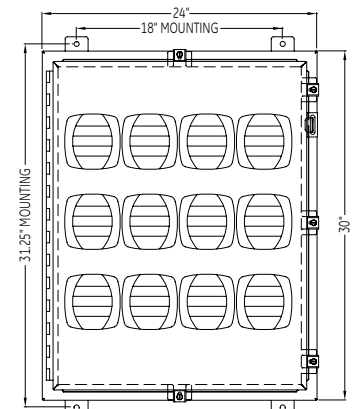
Style 08W (5 to 8 Meters)



Style 16W (13 to 16 Meters)



Style 12W (9 to 12 Meters)



For pricing and details,  
contact your local  
GE representative  
or call 1 (888) GE4-Serv

GE Energy  
1600 West Carson Street, Suite 4  
Pittsburgh, PA 152192  
www.geindustrial.com

© 2012 GE Company



Information provided is subject to change without notice. Please verify all details with GE. All values are design or typical values when measured under laboratory conditions, and GE makes no warranty or guarantee, express or implied, that such performance will be obtained under end-use conditions.