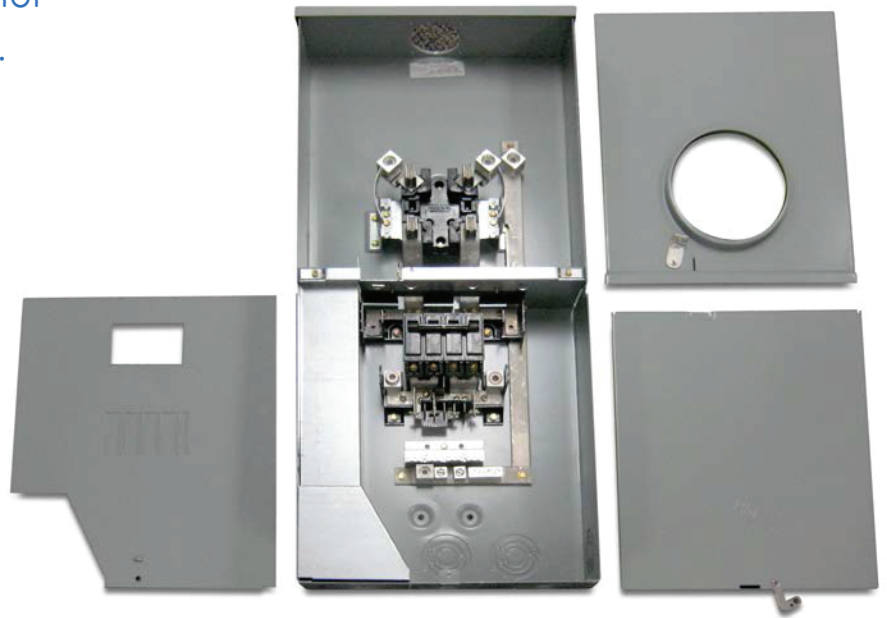
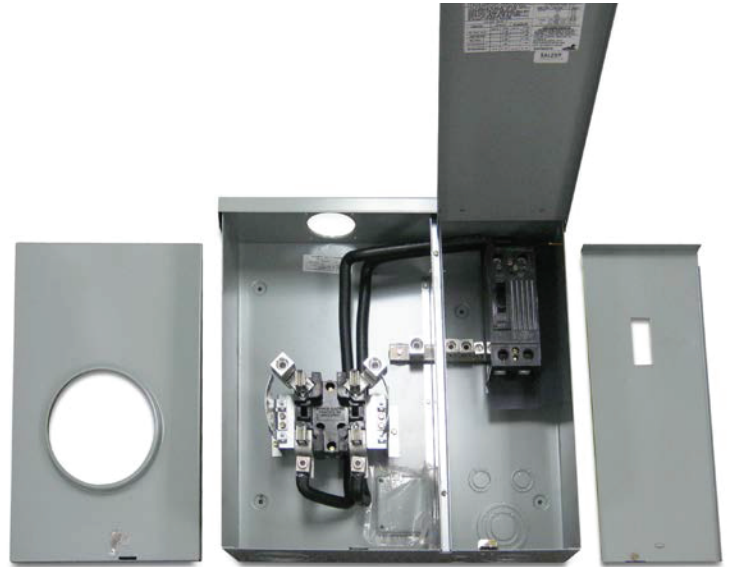


Ringless Meter Socket Load Centers

These new models meet the latest requirements from Georgia Power. They retain the features of the prior models but offer ringless sockets.

Key Product Changes

- Ringless meter cover
- Single latch centrally located hasp on Meter cover

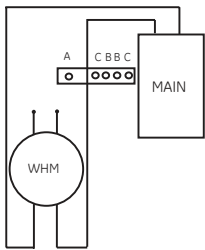


Ringless Cat. No. (New)	UPC	Ring Type (Existing Cat. No.)
TSMR015CSGP	078316443090	TM15RMCGP
TSMR020CSGP	078316443091	TM20RMCGP
TSMR415CSCUGP	078316443092	TSM415CSCUGP
TSMR420CSCUGP	078316443093	TSM420CSCUGP

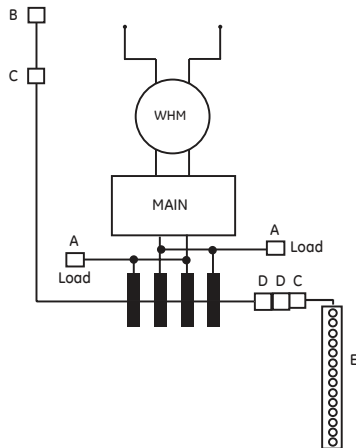


Wiring Diagrams

TSMR015CSGP,
TSMR020CSGP

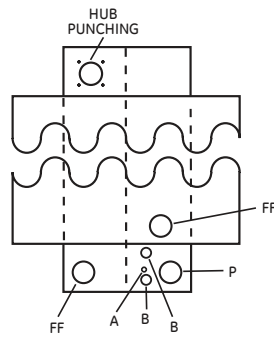


TSMR415CSGUP,
TSMR420CSGUP

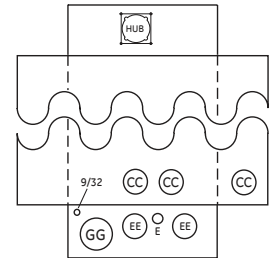


Knockouts

Box R32A



Box R40



Dimensions (in inches)

Box No.	Width	Height	Depth
R32A	18 7/8	18 9/16	5
R40	14	32	4 1/2

Symbol	A	B	E	P	CC	EE	FF	GG
Conduit Size In Inches	5/32	-	-	-	-	-	-	-
	-	-	-	-	-	-	-	-
	-	1/2	-	-	1/2	1/2	-	-
	-	-	3/4	-	3/4	3/4	-	-
	-	-	-	1	1	1	-	-
	-	-	-	1 1/4	1 1/4	1 1/4	1 1/4	1 1/4
	-	-	-	-	1 1/2	1 1/2	1 1/2	1 1/2
	-	-	-	2	2	2	2	2
	-	-	-	2 1/2	-	2 1/2	2 1/2	2 1/2
	-	-	-	-	-	-	-	3

Breaker Symbol	Breaker Fill	
	1" THQL	1/2" THQP
	1	-
	1	2

Terminal Symbol	Wire Range (AWG/kcmil)	
	Cu	Al
o	14-8	12-8
•	14-4	12-4
A	6-2	6-2
B	14-1/0	12-1/0
C	6-2/0	6-2/0
D	1-300	2/0-300
E	1-300	1-300
F	6-1	6-1
G	6-3	6-3

Main Ampere Rating	1-Pole 1" Spaces	2-Pole 1" Spaces	1-Pole 1/2" Spaces	2-Pole, 1/2" Spaces	Total 1-Pole Spaces	Enclosure Type	Front Type	Bypass Type	UL Incoming	Agency Certification	Product Number	List Price GO-137B
150	-	-	-	-	-	Outdoor (NEMA 3R)	Surface	None	OH/UG	UL Georgia Power	TSMR015CSGP	\$845.00
200	-	-	-	-	-	Outdoor (NEMA 3R)	Surface	None	OH/UG	UL Georgia Power	TSMR020CSGP	\$845.00
150	4	2	8	3	8	Outdoor (NEMA 3R)	Surface	None	OH/UG	UL Georgia Power	TSMR415CSGUP	\$980.00
200	4	2	8	3	8	Outdoor (NEMA 3R)	Surface	None	OH/UG	UL Georgia Power	TSMR420CSGUP	\$980.00

Product Number	Box Number	Unit Width	Unit Height	Depth	Factory installed Service Disconnect	Field installed Service Disconnect	Main Wire Size	Equipment Ground Kit
TSMR015CSGP	R32A	18 7/8	18 9/16	5	TQD	None	2-250	-
TSMR020CSGP	R32A	18 7/8	18 9/16	5	TQD	None	2-250	-
TSMR415CSGUP	R40	14	32	4 1/2	THQMV	None	6-350	TGL2 included
TSMR420CSGUP	R40	14	32	4 1/2	THQMV	None	6-350	TGL2 included

GE

Industrial Solutions

41 Woodford Avenue
Plainville, CT 06062
www.geindustrial.com

© 2015 General Electric Company



Information provided is subject to change without notice. Please verify all details with GE. All values are design or typical values when measured under laboratory conditions, and GE makes no warranty or guarantee, express or implied, that such performance will be obtained under end-use conditions.

DEE-588A 2/15