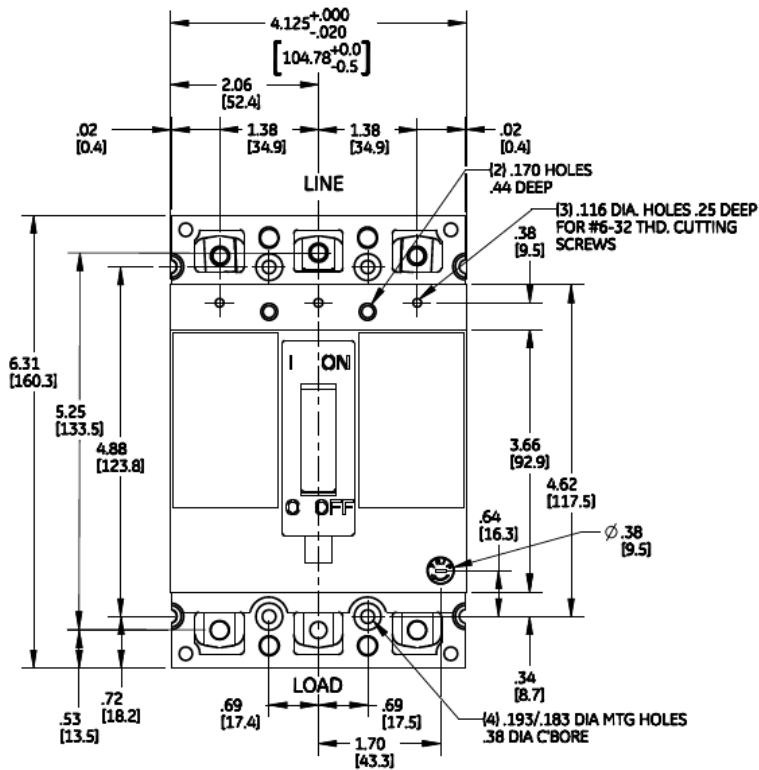
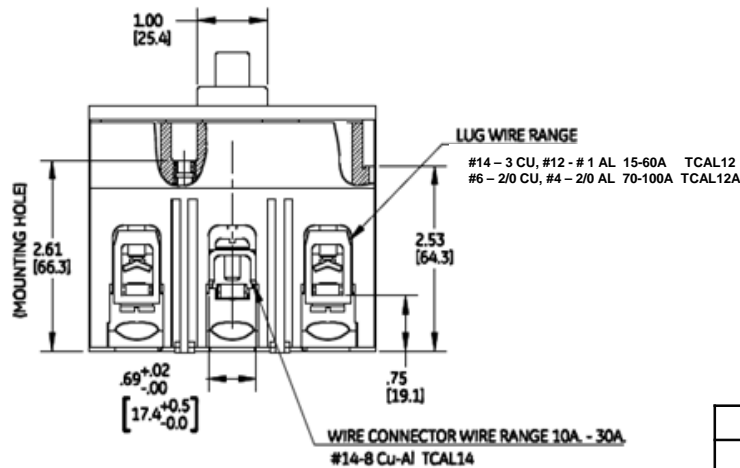


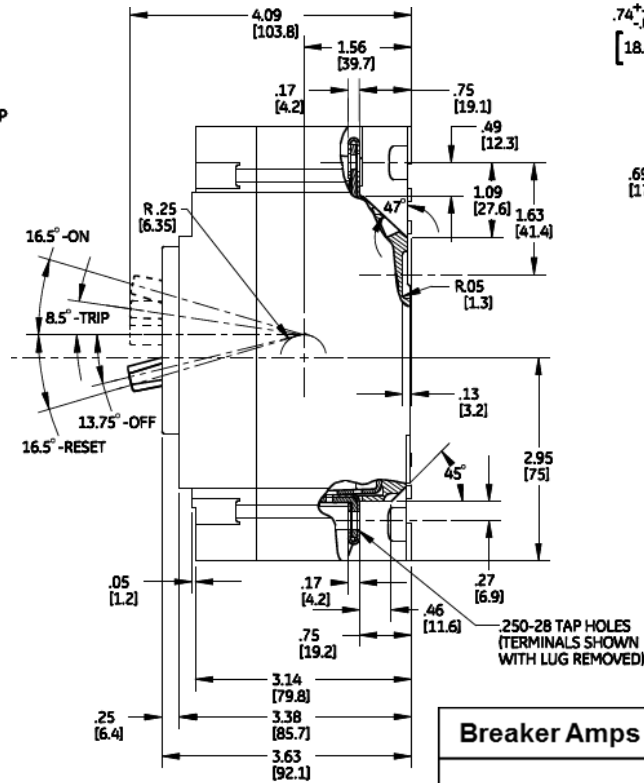
### Front View



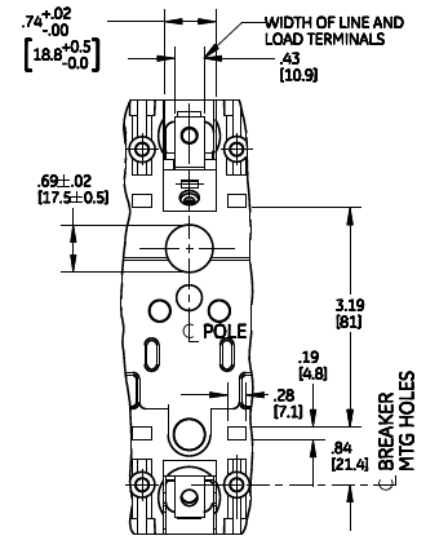
### Bottom View



### Side View



### Terminal Info



Breaker Amps	Load Side Wire Range Size
15-60A	(1) #14 - #3 (CU) (1) #12 - #1 (AL)
70-100A	(1) #6 - 2/0 (CU) (1) #4 - 2/0 (AL)



imagination at work

35A 3PH TEB BREAKER 10K @ 208Y/120  
FOR USE WITH GE METER STACKS- 225A SOCKETS

PUBLICATION #	CAT NO	DWG DATE	REV #
DEE-843	TEB132035	12/14/2015	01