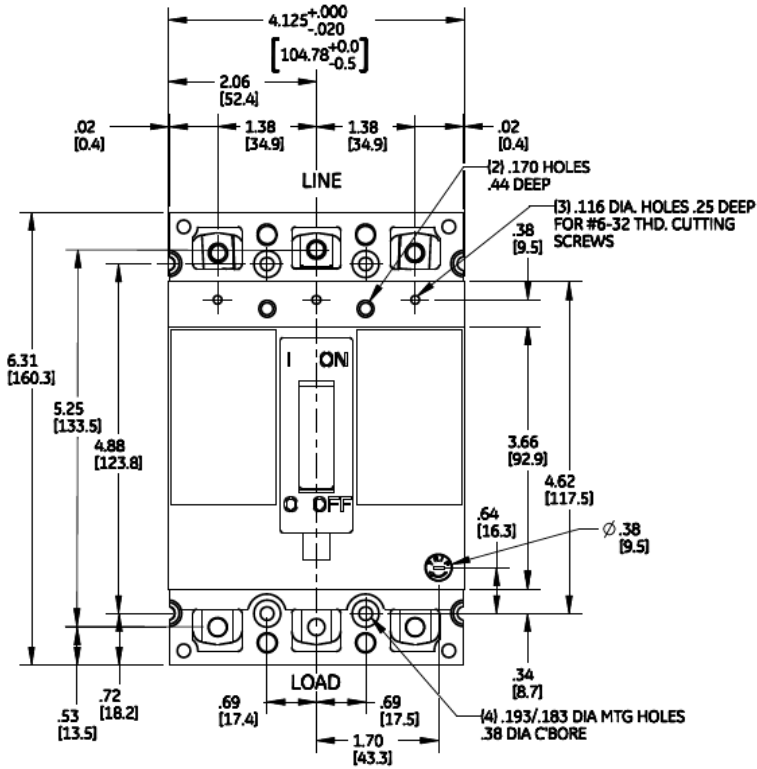
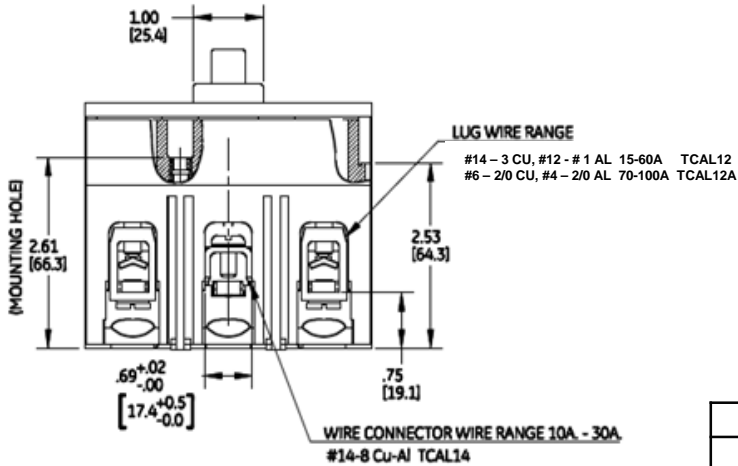


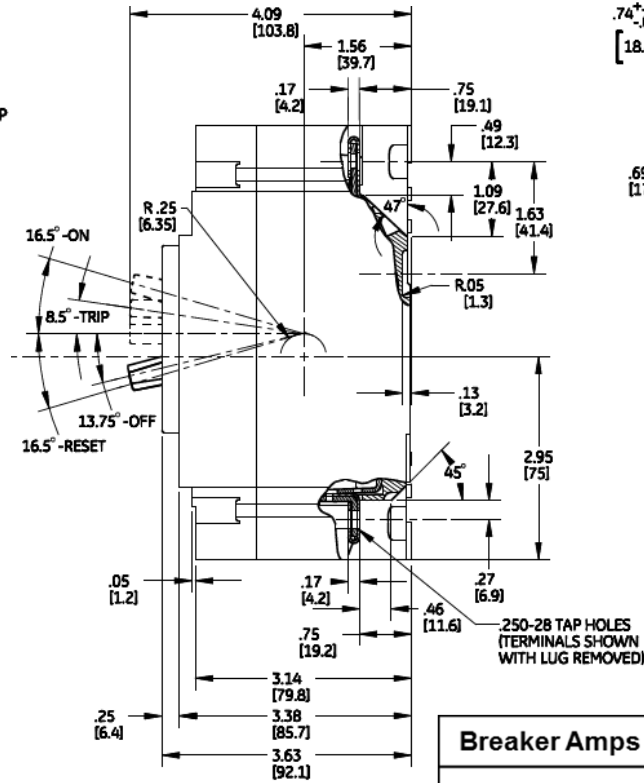
**Front View**



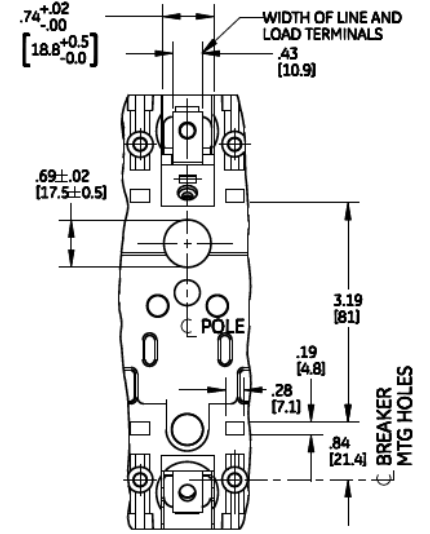
**Bottom View**



**Side View**



**Terminal Info**



Breaker Amps	Load Side Wire Range Size
15-60A	(1) #14 - #3 (CU) (1) #12 - #1 (AL)
70-100A	(1) #6 - 2/0 (CU) (1) #4 - 2/0 (AL)



40A 3PH TEB BREAKER 10K @ 208Y/120  
 FOR USE WITH GE METER STACKS- 225A SOCKETS

PUBLICATION #	CAT NO	DWG DATE	REV #
DEE-844	TEB132040	12/14/2015	01