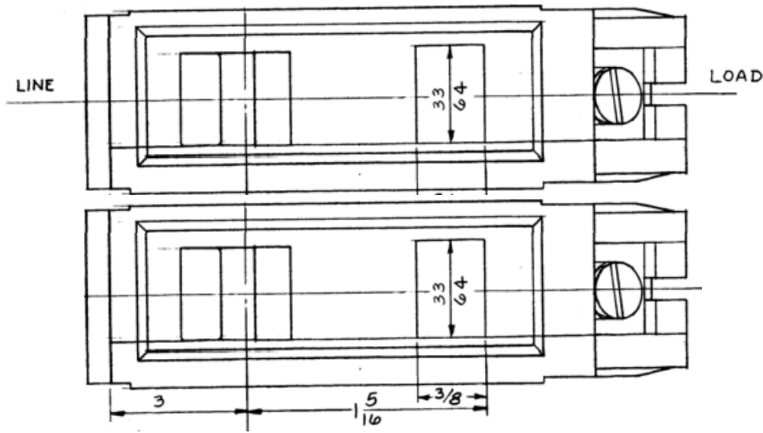
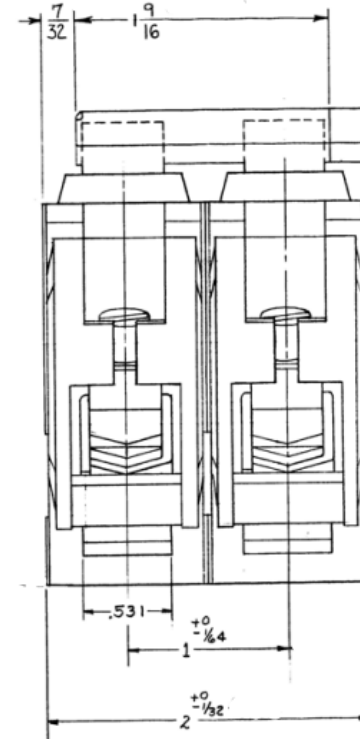


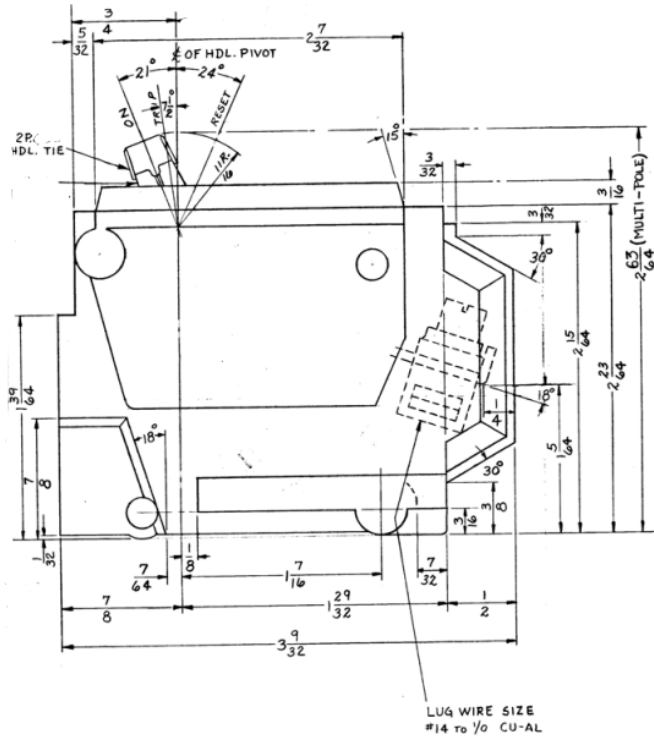
Front View



Bottom View



Side View



| Breaker Amps | Load Side Wire Range Size |
|--------------|----------------------------------------|
| 60A | (1) #8 - #3 (CU) or (1) #8 - #3 (AL) |
| 70-100A | (1) #6 - 1/0 (CU) or (1) #4 - 1/0 (AL) |
| 110-125A | (1) #2 - 2/0 (CU) or (1) #2 - 2/0 (AL) |



imagination at work

125A 2PH THQL BREAKER 10K @ 120/240V
FOR USE WITH GE METER STACKS - 125A SOCKETS

| PUBLICATION # | CAT NO | DWG DATE | REV # |
|---------------|-----------|------------|-------|
| DEE-858 | THQL21125 | 10/16/2015 | 01 |