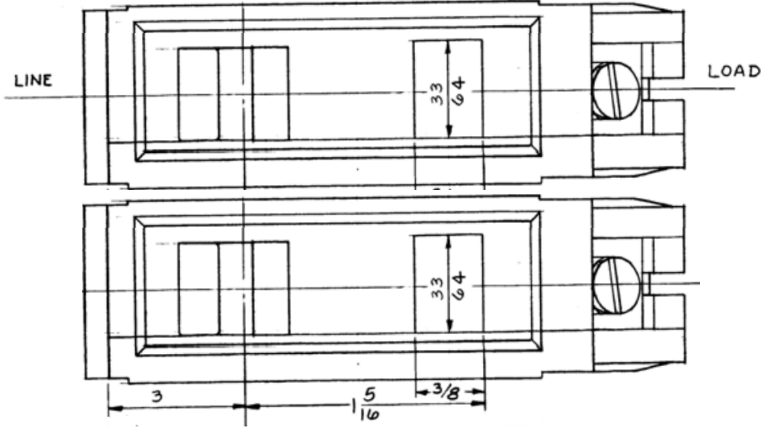
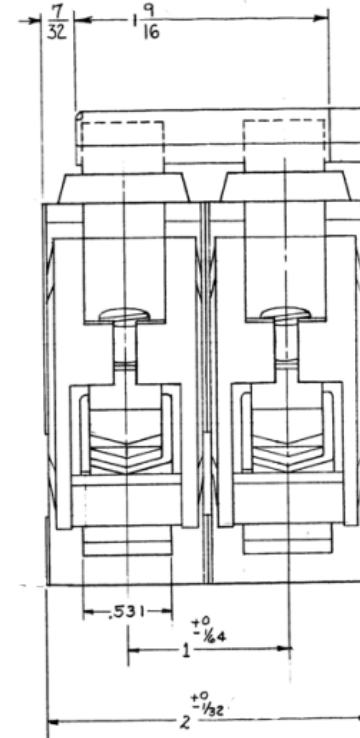


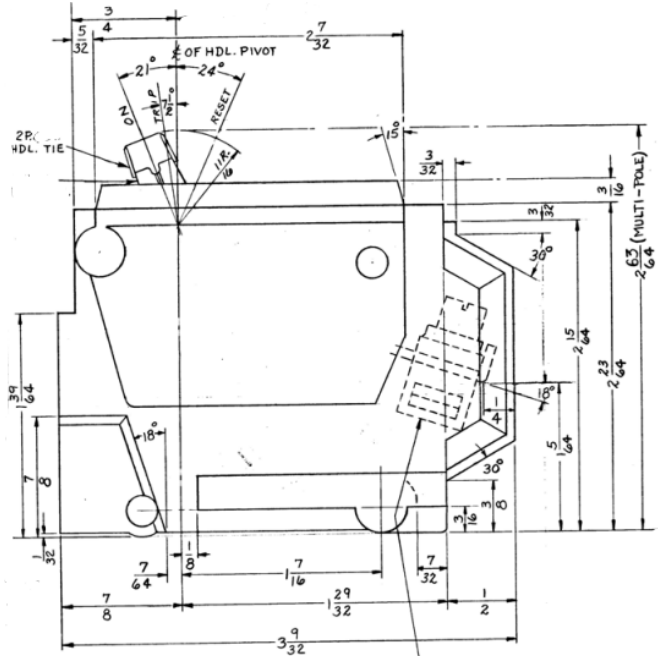
Front View



Bottom View



Side View



LUG WIRE SIZE
#14 TO 1/0 CU-AL

Breaker Amps	Load Side Wire Range Size
60A	(1) #8 - #3 (CU) or (1) #8 - #3 (AL)
70-100A	(1) #6 - 1/0 (CU) or (1) #4 - 1/0 (AL)
110-125A	(1) #2 - 2/0 (CU) or (1) #2 - 2/0 (AL)



imagination at work

110A 2PH THQL BREAKER 22K @ 120/240V
FOR USE WITH GE METER STACKS - 125A SOCKETS

PUBLICATION #	CAT NO	DWG DATE	REV #
DEE-864	THHQL21110	10/16/2015	01