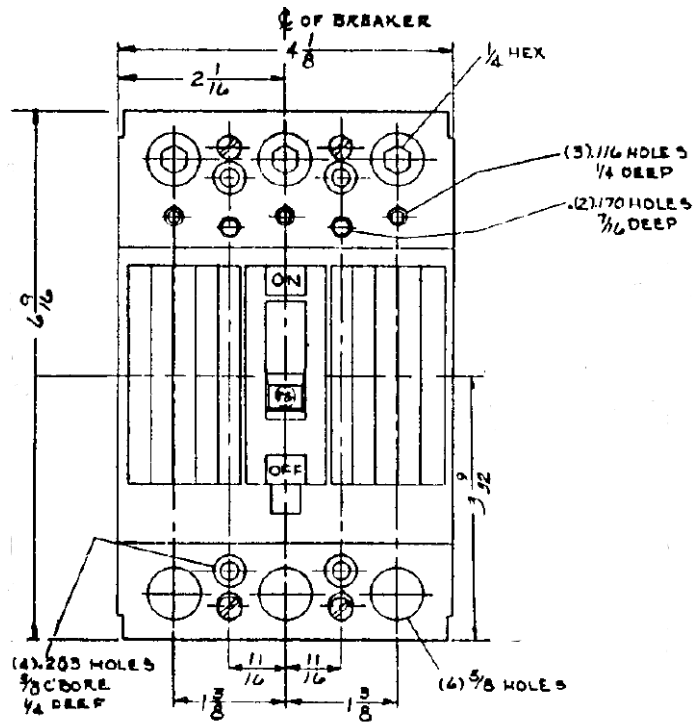
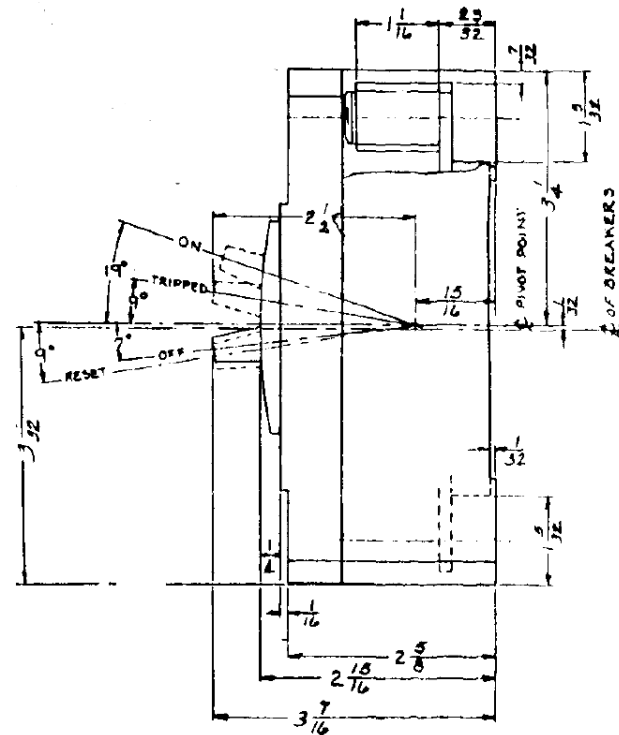


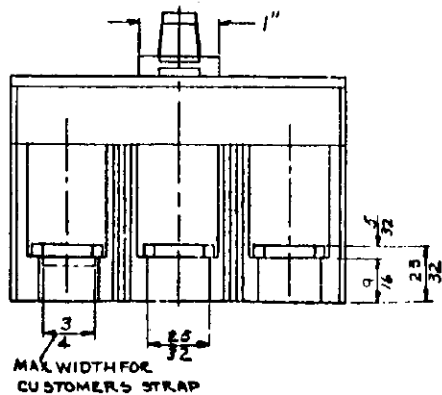
Front View



Side View



Bottom View



Breaker Amps	Load Side Wire Range Size
100-200A	(1) #1-300MCM (AL/CU)



imagination at work

200A 3PH TQD BREAKER 10K @ 208Y/120V
FOR USE WITH GE METER STACKS - 200/225A SOCKETS

PUBLICATION #	CAT NO	DWG DATE	REV #
DEE-877	TQD32200	12/14/2015	01