



Spectra Series™ Power Panelboards

Circuit Breaker Cover



WARNING: Danger of electrical shock or injury. Turn OFF power ahead of the panelboard or switchboard before working inside the equipment or removing any component. Do not remove circuit protective devices or any other component until the power is turned OFF.

General

These instructions apply to the following circuit breaker frames: SGDA, SGHA, SGLA, and SGPA.

Installation

1. Select the breaker cover supports and breaker covers.

Table 1 lists the catalog numbers of the appropriate breaker covers for various switchboard and panelboard sizes.

Cover Height	Switchboard or Panelboard Width			
	27 & 31" Pnlbd 35" Swbd	36 & 40" Pnlbd 40" Swbd	44" Pnlbd 45" Swbd	
	SGDA, SGHA, SGLA, and SGPA – Single-branch mount			
5 1/2" (4X)	208C4262G16	208C4262G17	208C4262G18	
	SGDA, SGHA, SGLA, and SGPA – Double-branch mount			
5 1/2" (4X)	N/A	208C4262G49*	208C4262G19	

* For 40"-wide panelboards or switchboards only.

Figure 1. Circuit breaker cover catalog numbers for various panelboard and switchboard widths.

2. Install the circuit breaker according to the breaker mounting instructions.

3. Install the space filler. A space filler is only required with a single breaker installed in a double-branch configuration. Secure the steel space filler with two #10-32 x 3/8" screws, tightened to 25 in-lb, as shown in Figures 1 and 2.

4. Install the cover plate and center barrier.

- **Single-branch applications.** Attach the plastic spacer bars, as shown in 3, with four #6-20 x 1" washer-head screws and four #6 nut clips. Attach the cover plate assembly to the circuit breaker. Tighten the screws to 10 in-lb.
- **Double-branch applications.** Assemble two #10-16 x 1/2" washer-head screws and two #10 nut clips in the cover, as shown in Figure 1 for a single breaker and Figure 4 for two breakers. Attach the cover plate assembly to the circuit breaker center barrier and tighten the screws to 10 in-lb.

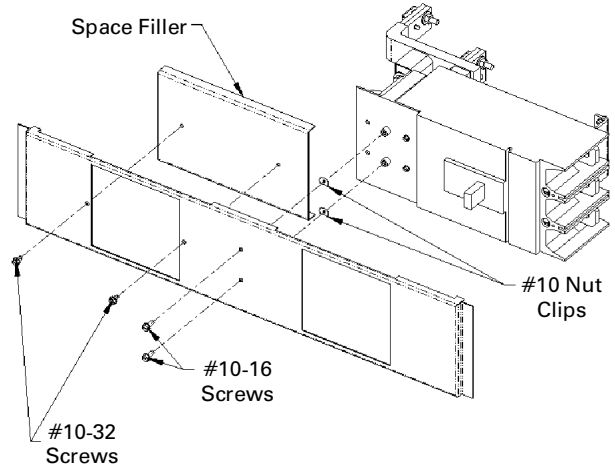


Figure 1. Attaching the space filler to the breaker cover and the assembled cover to the breaker.



Figure 2. Completed assembly with a space filler.

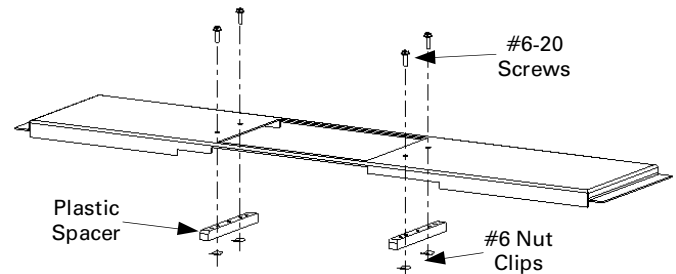


Figure 3. Attaching the plastic spacer bars in a single-branch application.

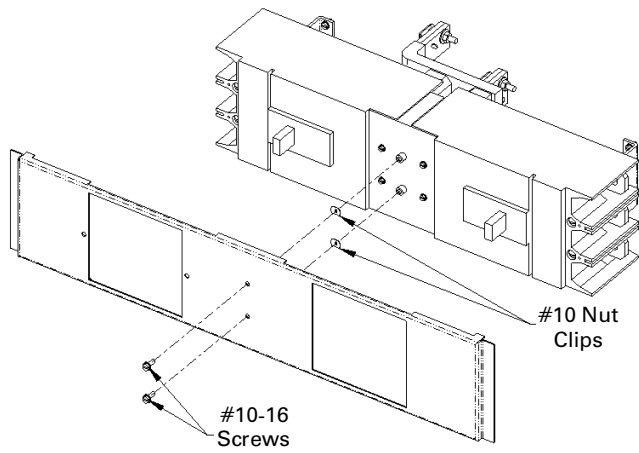


Figure 4. Attaching the assembled cover in a double-breaker application.

These instructions do not cover all details or variations in equipment nor do they provide for every possible contingency that may be met in connection with installation, operation, or maintenance. Should further information be desired or should particular problems arise that are not covered sufficiently for the purchaser's purposes, the matter should be referred to the GE Company.



GE Industrial Systems