



Spectra Series™ Power Panelboards

Equipment Grounds Catalog Numbers AEG47 and AEG47S

These kits are provided for installing equipment grounds on Spectra Series panelboards. Figure 1 illustrates the installation of a bonded ground, catalog number AEG47. Figure 2 illustrates the installation of an isolated ground, catalog number AEG47S.

Installation



WARNING: Danger of electrical shock or injury. Turn OFF power ahead of the panelboard or switchboard before working inside the equipment or removing any component. Equipment is to be installed and maintained by properly trained and qualified personnel only.

1. Mounting holes are not provided on the equipment for ground assembly. Position the ground assembly as required on the box back. Use the mounting holes as a template to locate and drill four 0.173-inch diameter holes for the #10-32 self tapping screws provided.
2. Secure the ground assembly with the #10-32 mounting screws tightened to 32 in-lb.
3. Apply the AEG47 or AEG47S identification and torque label next to the ground assembly.

Minimum Clearance

Maintain the minimum electrical clearances listed in Table 1 between uninsulated live parts and grounded dead metal through air or over a surface.

Voltage Difference	Minimum Clearance, in.
0-250	1/2
251-600	1

Table 1. Minimum clearances.

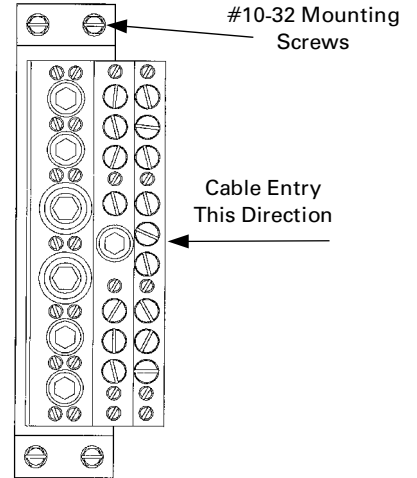


Figure 1. Bonded equipment ground, catalog number AEG47.

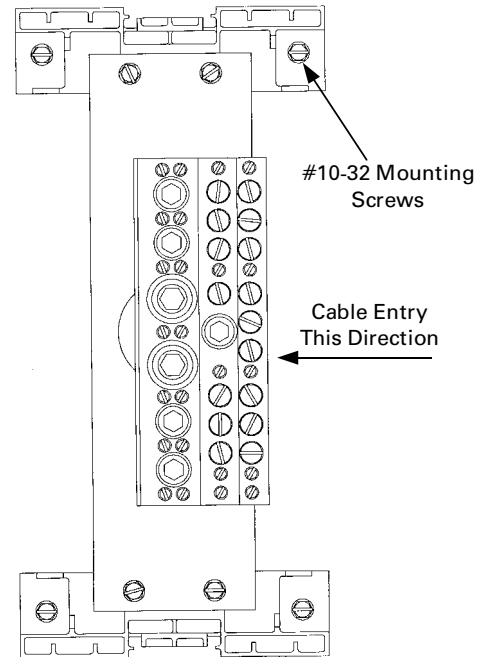


Figure 2. Isolated equipment ground, catalog number AEG47S.

These instructions do not cover all details or variations in equipment nor do they provide for every possible contingency that may be met in connection with installation, operation, or maintenance. Should further information be desired or should particular problems arise that are not covered sufficiently for the purchaser's purposes, the matter should be referred to the GE Company.



GE Industrial Systems

General Electric Company
41 Woodford Ave., Plainville, CT 06062