



## Spectra Series™ Power Panelboards

### Neutral and Ground Wire Kit for TVSS Catalog Number ATHMEGNDN

#### Application

For use with TVSS (Transient Voltage Surge Suppression) units with the catalog number prefix ATME or ATHE

#### Installation



**WARNING:** Danger of electrical shock or injury. Turn OFF power ahead of the panelboard or switchboard before working inside the equipment or removing any component. Equipment is to be installed and maintained by properly trained and qualified personnel only.

In the following instructions and figures, numbers in brackets refer to the items in Table 1.

- 1. Confirm the contents of the kit.** This kit is for installing the ground cable and neutral cable (if neutral is required).

The kit contains parts for making the neutral connection (if the panel is provided with one) and ground connection on the TVSS. Sufficient #2 gauge copper cable is provided for both ground and neutral connections. If a neutral is not required, then discard the portion of #2 gauge copper cable that is not needed. Figure 1 shows all the parts included in this kit, which are listed in Table 1.

- 2. Locate the terminal lugs in the TVSS unit.** After installation of the panel, ground, and neutral (if provided) into the enclosure, locate the TVSS unit in the panel interior. Make sure that the TVSS handle is in the OFF position. Remove the four #10-32 screws (not shown) securing the cover and lift off the cover.
- 3. Installing the ground and neutral cable.** Locate the lugs marked Ground and Neutral (if required), as shown in Figure 2. Loosen the hex screws on the lugs with an Allen wrench (not provided). Locate the roll of #2 copper cable [1] and determine the shortest route to the equipment neutral (if applicable) and ground. Cut one end of the cable and remove approximately  $\frac{5}{8}$  inch of the shielding. Insert the end of the #2 copper cable [1] into the lug marked Ground and tighten the hex screw to 150 lb.-in. Repeat this process with the remainder of the #2 copper cable [1] for the Neutral connection, if applicable.

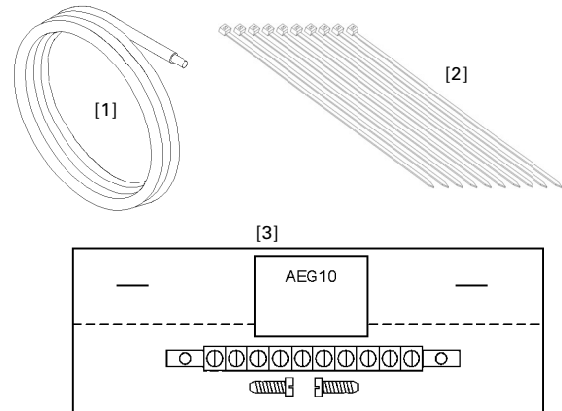


Figure 1. Parts included in the TVSS neutral and ground wire kit, catalog number ATHMEGNDN.

Item	Description	Part #	Qty.
1	#2-gauge black wire	273A7900P12BK19	12.5 ft.
2	Tie wraps	PEL#PLT1.5I-M	10
3	Ground	AEG10	1

Table 1. Parts list for kit ATHMEGNDN.

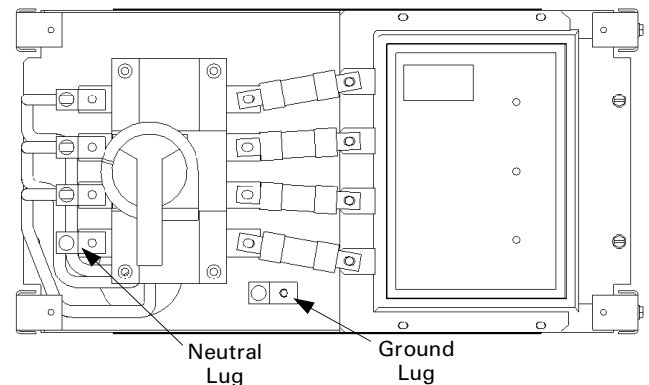


Figure 2. Locations of the ground and neutral lugs in the TVSS unit.

- 4. Run wires out the side of the unit.** Be sure that the TVSS cables will not interfere with cables to be run from other devices. Use the tie wraps [2] as needed to bundle the two cables.

5. **Attach the wire to neutral and ground.** Cut and strip the free end of the ground cable and attach to the equipment ground, as shown in Figure 3. Note that an AEG10 ground [3] is supplied with this kit that should be installed with the instructions provided. If there is an available ground that will accept a #2 cable, then discard item [3]. Select the lughole closest to the TVSS unit. Do the same for the neutral (if applicable), as shown in Figure 4. Tighten the lug screws to the torque levels specified on the component labels.

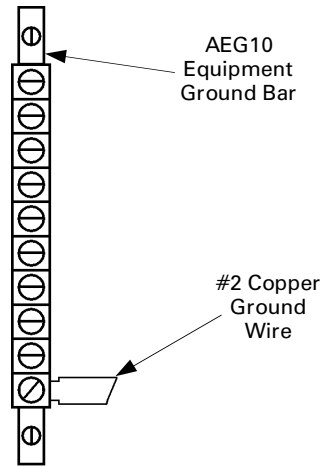


Figure 3. Attach the #2 ground cable to the AEG10 equipment ground.

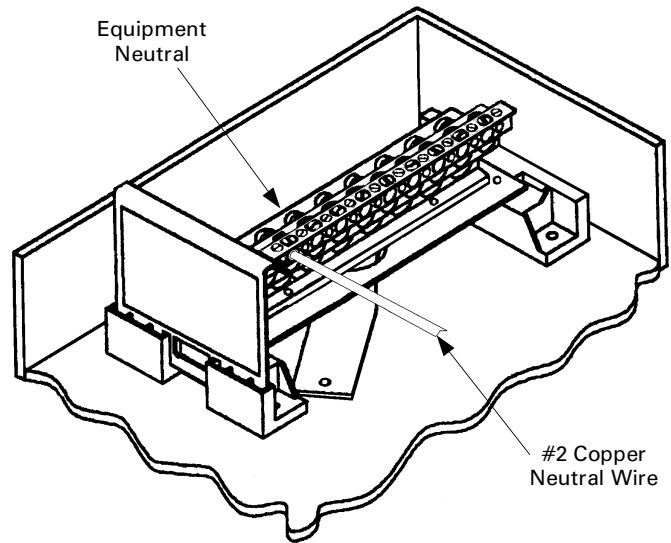


Figure 4. Attach the #2 neutral cable to the equipment neutral.

These instructions do not cover all details or variations in equipment nor do they provide for every possible contingency that may be met in connection with installation, operation, or maintenance. Should further information be desired or should particular problems arise that are not covered sufficiently for the purchaser's purposes, the matter should be referred to the GE Company.



**GE Industrial Systems**

General Electric Company  
41 Woodford Ave., Plainville, CT 06062