

DEH40521 INSTALLATION INSTRUCTIONS

Record Plus™ Molded Case Circuit Breaker Accessories Padlocking Kit

Congratulations and thank YOU for choosing the

Record Plus™ family of current-limiting circuit breakers. These UL-listed padlocking kits are suitable for use with the FC100 or FB100 circuit breaker series.

Record Plus™ circuit breakers are designed with a full line of integrated accessories. All units use the latest in integrated modular circuit breaker technology for flexibility in application and maximizing the product's utilization and capabilities.

All Record Plus™ circuit breakers are listed by Underwriters Laboratories to the UL489 standard and the CSA Standard C22.2, No. 5. These circuit breakers are certified to IEC60947-2. (Note: FB100 circuit breakers are not IEC60947-2 certified)

These accessories are also for use with our MAG-BREAK® instantaneous trip-only circuit breakers, which meet the same standards and are UL-recognized components for use in motor applications. They can also be used with our molded case switches, which are listed per Underwriters Laboratories to the UL489 standard.

Record Plus™ circuit breakers and their accessories are designed and manufactured to exceed our global customers' high standards for reliability and quality.



Warning: DANGER of Electrical shock or injury. Ensure ALL electrical power supplies are OFF before installing or removing any devices. The breaker, trip unit, or accessories MUST ONLY be installed and serviced by QUALIFIED personnel. See NEMA publication AB4.

Avertissement: Danger contre les risques d'électrocutions. S'assurer avant TOUTES manipulations du disjoncteur que les différentes sources d'alimentation sont en position OFF. Les disjoncteurs, unités de protection, ou accessoires doivent être installés par des personnes qualifiées et habilitées. Lire NEMA publication AB4.

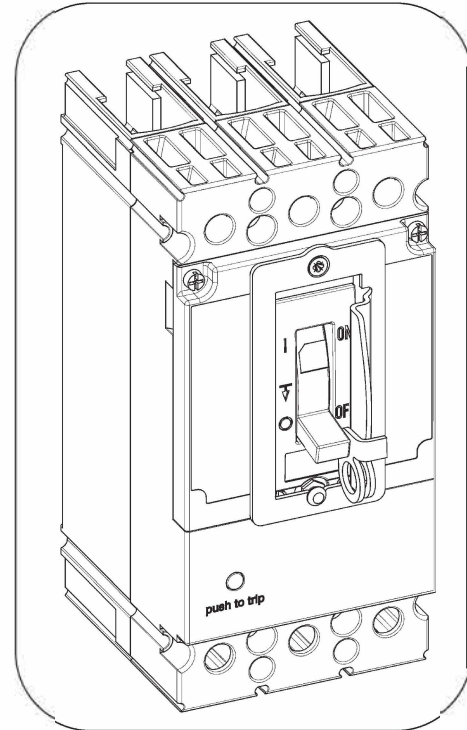


Figure 1. Padlocking kit installed on a Record Plus™ FC100 circuit breaker

Product Description

These instructions describe the installation procedure for the padlocking accessory on Record Plus™ FC100 circuit breakers (also for FB100, 1p, 2p & 3p circuit breakers), as shown in Figure 1. The padlocking accessory is designed to function with up to ¼ in. (6.35 mm) diameter padlock shanks.

This kit is available in two variants:

- Catalog numbers FC1PE (FC100) and FB1PE (FB100) provide stainless steel components and are EUSERC compliant.
- Catalog numbers FC1PF (FC100) and FB1PF (FB100) provide zinc chromate plated steel components

The parts supplied with this kit are listed in Table 1. The parts are illustrated in Figure 2. Numbers in brackets in the text and the figures refer to the item numbers in Table 1.

Item	Description	Qty.
1	Padlock connector	1
2	Padlock bracket	1
3	Keyhole screw	1
4	Screw, M3 x 1 x 6mm thread-forming	1
5	Screw, M2.5 x 1 x 8 mm thread-forming	

Table 1. List of parts in the padlocking accessory kit.

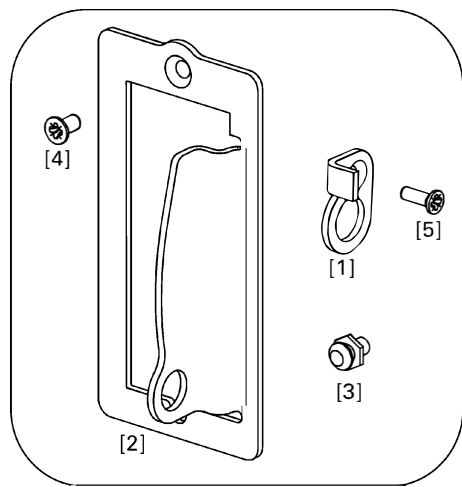


Figure 2. Parts supplied with the padlocking kit.

Step 1- Unpack and Inspect

Unpack the padlocking kit and inspect the parts for any shipping damage. Verify that all parts are supplied, as listed in Table 1 and illustrated in Figure 2.

Step 2- Installation

This procedure is illustrated in Figure 3.

1. Insert the keyhole screw [3] with a ¼ in. socket-head driver in the hole in the breaker case below the OFF handle position. Tighten to 2 in-lb torque until the base of the screw is flush with the breaker cover.
2. Attach the padlock connector [1] to the breaker handle with the M2.5 thread-forming screw [5] with a #1 Phillips-head screwdriver. Tighten to 2 in-lb torque until the screw [5] is seated in the connector [1].
3. Place the padlock bracket [2] into position over the switch and padlock connector, so that the slot in the bottom of the bracket slides into the groove in the keyhole screw [3]. Align the hole in the bracket [2] with the hole in the breaker top cover, and then secure the bracket to the breaker with the M3 thread-forming screw [4].

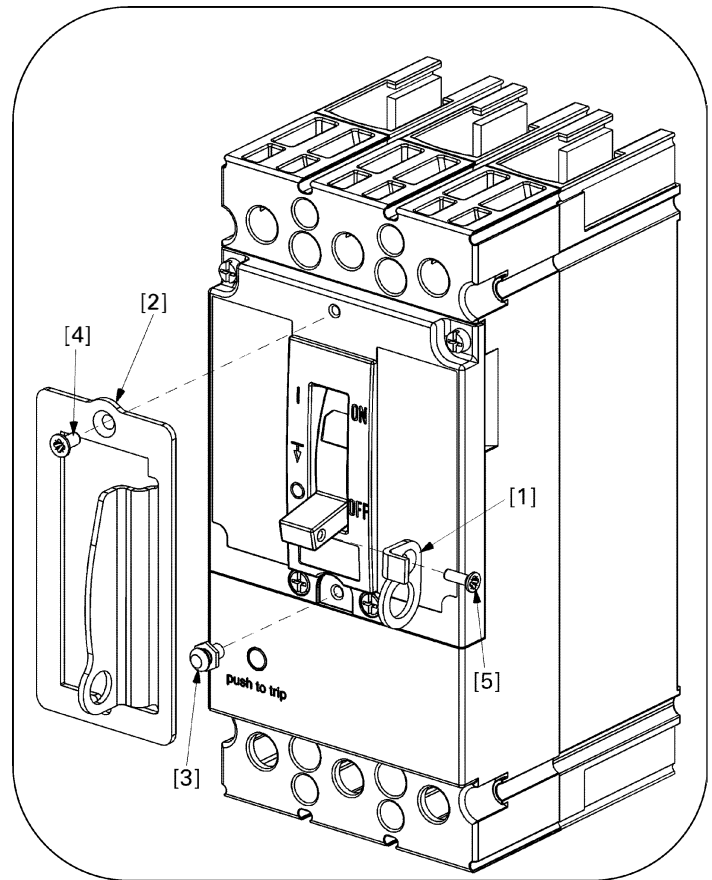


Figure 3. Installing the padlocking accessory on a Record Plus FC100 breaker (also for FB100 breaker)

Step 3 - Operation

To lock the breaker in the OFF position, hold the handle as far down as it will go, then slide the shank of the padlock through the holes in the padlock bracket [2] and padlock connector [1]. See DEH40463 for the installation and operation of the FC100 breaker or DEH41073 for the installation and operation of the FB100 breaker.

These instructions do not cover all details or variations in equipment nor do they provide for every possible contingency that may be met in connection with installation, operation, or maintenance. Should further information be desired or should particular problems arise that are not covered sufficiently for the purchaser's purposes, the matter should be referred to the ABB Company. The circuit breaker is a sealed unit that contains no user-serviceable parts. Tampering with the seal will void the warranty.