

DEH-40630 Installation Instructions For NEMA Size 5

300-Line Combination Magnetic Star

CR307-CR308, CR310-CR311, CR387, CR390 Series

CAUTION: Before installing in a nuclear application, determine that the product is intended for such use.

WARNING: Disconnect power before installing or servicing.

RATINGS

Max. Voltage	Max. Continuous Amp Rating	AC Volts	Max.Hp For AC Motors	
			Single-Phase	Poly-Phase
600	270	115	-	-
		200	-	75
		230	-	100
		460/575	-	200

DESCRIPTION

A ABB 300-Line full voltage magnetic combination starter consists of a magnetic contactor with a three leg block overload relay and a manually operated circuit breaker or disconnect switch. The disconnect switch may either be fusible or non fusible. The non-fusible disconnect switch provides a means of manually disconnecting the motor from the line. The circuit breaker or fusible disconnect switch provides motor branch short-circuit protection. The overload relay provides, motor protection against running and stalled motor overload.

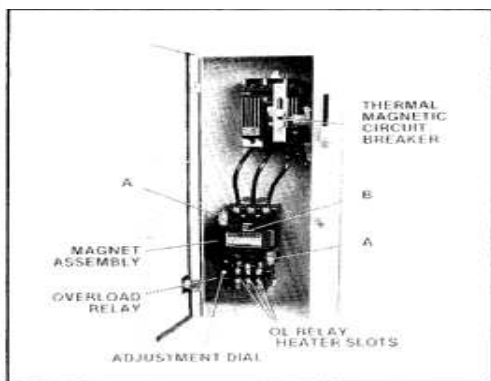


Figure 1—Typical CR307 magnetic combination starter

The overload relay is provided with a yellow trip indicator which is located to the right of the reset arm, and is visible when the overload relay is tripped.

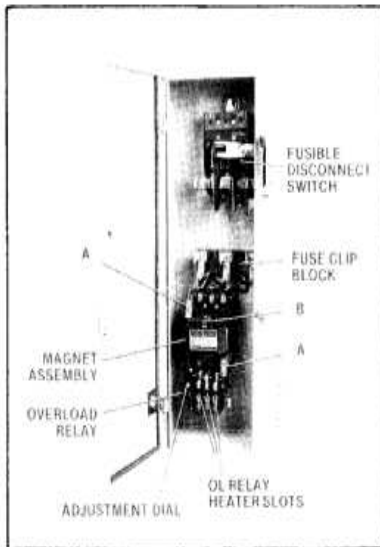


Figure 2—Typical CR308 magnetic combination starter

FEATURES

1. Strongbox coil.
2. Overload relay, incorporates a dial for $\pm 10\%$ field adjustment of tripping current, so that it is no longer necessary to change heaters to eliminate such problems as nuisance tripping in hot weather.
3. Overload trip indicator.
4. Straight through wiring.
5. Oversized power terminals will accommodate up to 500MCM wire.
6. Starter can be disassembled and inspected in a matter of seconds.
7. Circuit breaker or disconnect switch is mechanically interlocked with the enclosure door to prevent opening the door until the handle is moved to the OFF position.

INSTALLATION

- Before connecting the starter:
1. Remove all packing.

2. Clean magnet mating surfaces of any dust or foreign matter.

3. Select heaters in accordance with heater table, which accompanies each device.

4. Operate movable magnet and operating arm by pressing on the nameplate to assure free movement.

5. Mount the starter on a sturdy vertical support.

6. The overload relay may be reset manually by depressing and releasing the reset arm. Overload relays with an optional normally open contact are electrically isolated from the normally closed contact.

7. Provide motor branch circuit protection in accordance with the National Electrical Code.

COIL REMOVAL

The encapsulated coil is impervious to moisture, dirt, and oil. It resists mechanical damage and failure due to high humidity. No tools are required to remove coil.

1. Remove power from device.
2. Press against coil while pulling up slightly on coil retainers (A—Figure 1 or 2) and move retainers away from coil.
3. Withdraw magnet assembly, coil, molded cover, and movable arm from device.
4. Withdraw spring clip (B—Figure 1 or 2) and remove armature from movable arm.
5. Remove coil from magnet.
6. Replace coil.
7. Reassemble device by reversing procedure.

CONTACT REMOVAL

Movable contacts can be inspected and replaced in seconds—without tools (Figure 3).

These instructions do not purport to cover all details or variations in equipment not to provide for every possible contingency to be met in connection with installation, operation or maintenance. Should further information be desired or should particular problems arise which are not covered sufficiently for the purchaser's purpose, the matter should be referred to the ABB Company.

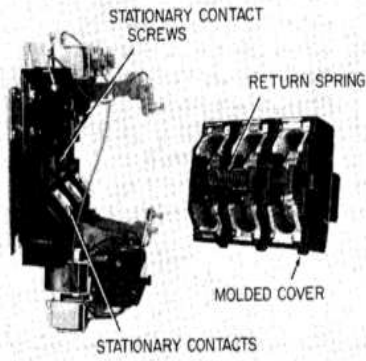


Figure 3

1. Perform steps 1 through 5 under "Coil Removal".
2. Remove magnet from molded cover and movable arm.
3. Remove return spring from center of movable arm.
4. Remove molded cover from movable arm.
5. Depress and slide movable contact, spring, and spring seat from movable arm.
6. Remove screws holding stationary contacts in place and remove stationary contacts
7. Reassemble device by reversing procedure

NOTE: Do not attempt to remove or replace arc traps in arc chute cover. When reassembling, note that the arc chute cover will only fit one way and is marked "TOP" in upper right hand corner. Magnet and movable arm will fit either way but will be quieter if reassembled the same way they were taken apart.

CHECK FOR WELDED CONTACTS IN OVERLOAD RELAY

This feature permits the maintenance man to check for welded relay contacts by simply depressing the white operator located at the top of the overload relay contact housing. When the relay is in the reset condition, an audible "click" will be heard when the operator is depressed, indicating that the contacts are operating normally. A continuity check can also be made by disconnecting the control wiring from the terminals of the relay and placing a bell set or a resistance-measuring instrument in the circuit. Connecting either of these across the relay terminals will indicate the relay contact is closed until the contact-check operator is depressed, opening the circuit.

The exclusive manual contact operation check gives positive assurance that contacts have not welded due to short circuits in the control wiring.

SIMPLE MAINTENANCE

300-Line starters and contactors require virtually no corrective maintenance. Preventive maintenance will assure many years of dependable on-line service.

1. Always remove power from device before performing any maintenance.
2. Keep magnet mating surfaces free of accumulated dirt or dust.
3. DO NOT OIL OR GREASE the magnet mating surfaces.
4. Contacts are carefully designed for maximum life. They need only be replaced when nearly all the silver tip is gone and the contact tip support is exposed. DO NOT FILE the contacts. Filing or otherwise dressing the contacts only results in lost tip material and reduces contactor or starter life.
5. The ultimate tripping current of the installed relay heater can be adjusted $\pm 10\%$ by using adjustment dial.

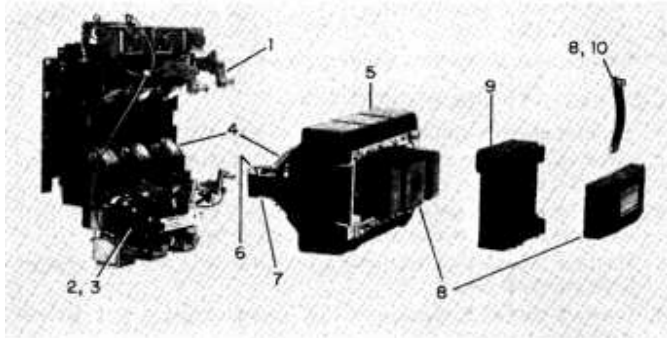
Replacement Coils

For two- and three-pole devices, order coil catalog number 55-530249G plus number in table below. For four- and five-pole devices, order coil catalog number 55-501493G plus number in table below. Example: 55-530249G002 is rated 115-120V, 60 Hz/110V, 50 Hz.

Frequency (Hertz)	115-120V	200-208V	230-240V	-----	460-480V	575-600V
60	002	023	003	-----	004	005
Frequency (Hertz)	110V	-----	220V	380V	440V	550V
50	002	-----	003	064	004	005

Accessory Kits

First NO aux. cont. for CR305, CR306 (right side mtg).....	CR305X500A
First NC aux. cont. for CR305, CR306 (right side mtg).....	CR305X500B
First NO-NC aux. cont.for CR305, CR306 (right side mtg).....	CR305X500C
Additional NO aux. cont. for all forms	CR305X100D
Additional NC aux. cont. for all forms	CR305X100E
Pushbutton.....	CR305X520B
Selector switch, H—O—A.	CR305X530B
Selector switch, OFF—ON.	CR305X530D
Indicating light.	CR305X550B
Fifth pole. (for adding to 4-pole form only).....	CR305X511B
Control circuit fuse.....	CR305X541A, B, C, D
Surge Suppressor.....	CR305X146C



PRINCIPAL RENEWAL PARTS

Ref.No	Description	Catalog Number	Quantity Required
1	Coil retainer assembly	55-154607G003	4
2	Overload relay (3-heater, non-compensated form, 1 NC contact)	CR324G310F	1
3	Overload relay (3-heater, non-compensated form, 1 NO-1 NC contact)	CR324G360F	1
4	Set of stationary & movable contacts with springs and screws for three-poles	55-154607G041	1
5	Molded cover for three-poles	55-530245G001	3
6	Return spring for movable arm	55-153205G002	1
7	Molded movable arm with return spring for 2, 3 pole	55-154607G042	1
8	Armature and frame (magnet) with retainer	55-154607G045	1
9	Operating coil for 2-and 3-pole	55-530249G***	1
10	Retainer for armature	55-154607G046	1

*** Insert numbers for particular coil rating required. See Coil Table above