



Record Plus™ Molded Case Circuit Breaker Accessories

Plug In Base

Congratulations and thank you for choosing the **Record Plus™** family of current-limiting circuit breakers. This UL-listed Plug-In Mounting Plate accessory kit is suitable for use with the FC100 circuit breaker series as illustrated in Figure 1.

Record Plus™ circuit breakers are designed with a full line of integrated accessories. All units use the latest in integrated modular circuit breaker technology for flexibility in application and maximizing the product's utilization and capabilities.

All **Record Plus™** circuit breakers and the accessories are listed by Underwriters Laboratories to the UL489 standard and the CSA Standard C22.2, No. 5. These circuit breakers are certified to IEC60947-2.

These accessories are also for use with our MAG-BREAK® instantaneous trip-only circuit breakers, which meet the same standards and are UL-recognized components for use in motor applications. They can also be used with our molded case switches, which are listed per Underwriters Laboratories to the UL489 standard.

Record Plus™ circuit breakers and their accessories are designed and manufactured to exceed our global customers' high standards for reliability and quality.

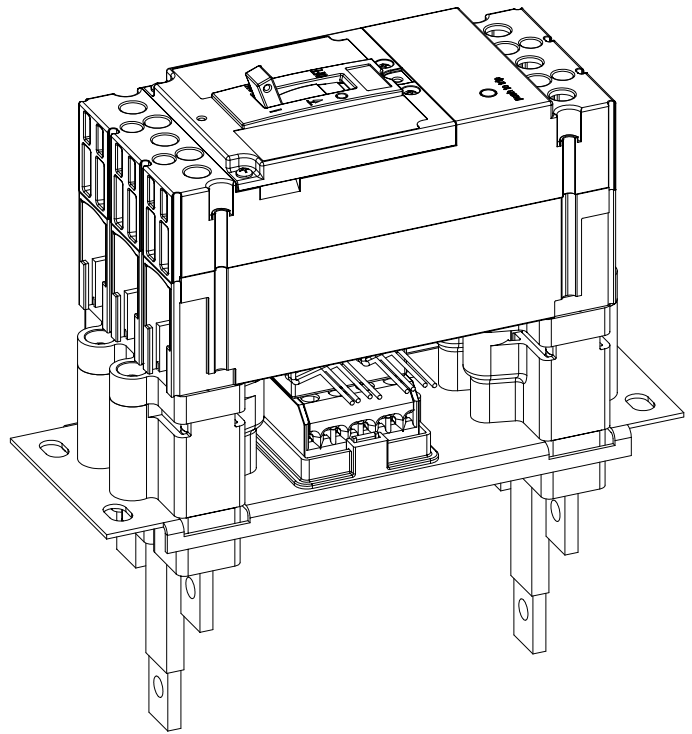


Figure 1. FC100 breaker mounted on Plug-In Base with Secondary Disconnect and Mounting Plate



Warning: DANGER of Electrical shock or injury. Ensure ALL electrical power supplies are "OFF" before installing or removing any devices. The breaker, trip unit or accessories **MUST ONLY** be installed and serviced by **QUALIFIED** personnel, see NEMA publication AB4.

Avertissement: Danger contre les risques d'électrocutions. S'assurer avant toutes manipulations du disjoncteur que les différentes sources d'alimentation sont en position «OFF». Les disjoncteurs, unités de protection ou accessoires doivent être installés par des personnes qualifiées et habilitées. Lire NEMA publication AB4.

Caution: This product is **NOT** suitable for use in equipment not specifically design to accept it. Contact equipment manufacturer for possible equipment modifications.

Important: Cet appareil nedeoit pas etre employe dans un equipement non specialement adapte a cet effet. Contactez le constructeur concernant les possibles modifications a apporter a l'equipemen

Product Description

Plug-in bases provide the user with another option for quick change of breaker and switch assemblies without disturbing power connections. Two plug-in bases (one for each terminal end) are required for each protective device.

Each plug-in base assembly contains the mounting hardware necessary to mount the base to either end of the circuit breaker. Electrical spacing between adjacent terminals is provided by alternate Long-Short-Long (LSL) or Short-Long-Short (SLS) terminal assemblies.

These instructions describe the installation procedure for the plug-in accessory on **Record Plus™** FC100 circuit breakers, as shown in Figure 1.

The complete kits are available in the following catalog number variants:

- Catalog number FCDDF1 provides LSL Horizontal Strap plug-in base.
- Catalog number FCDDF2 provides SLS Horizontal Strap plug-in base.
- Catalog number FCDDF3 provides LSL Vertical Strap plug-in base.
- Catalog number FCDDF4 provides SLS Vertical Strap plug-in base.

The parts supplied with this kit are listed in Table 1.

Step 1- Unpack and inspect

Unpack the Plug-In and inspect it for any shipping damage (insure the breaker accessory has the proper ampere, voltage ratings, wiring routing and operation for the application. In addition, attach appropriate labels to side of the breaker if internal accessories have been installed.).

Item	Description	Qty
PLUG-IN BASE		
1	SCREW # 10-32 X 0.625 INCH	3
2	Lock Washer	5
3	WASHER	5
4	MALE PLUG	3
5	SCREW # 10-24x1.75 INCH	2
6	PLUG-IN BASE ASM	1
7	NUT # 10-24	2
8	*MOUNTING PLATE (Optional)	1
*SECONDARY DISCONNECT KIT (Optional) (FCSDS)		
9	SECONDARY DISCONNECT BOTTOM HALF (FCSDP)	1
10	BREAKER ADAPTOR ASM (FCSDSDB)	1

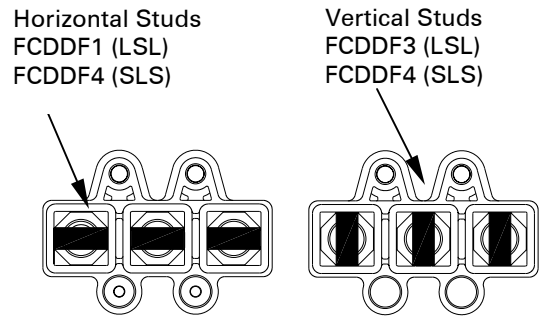


Figure 2. Different Orientations of Strap.

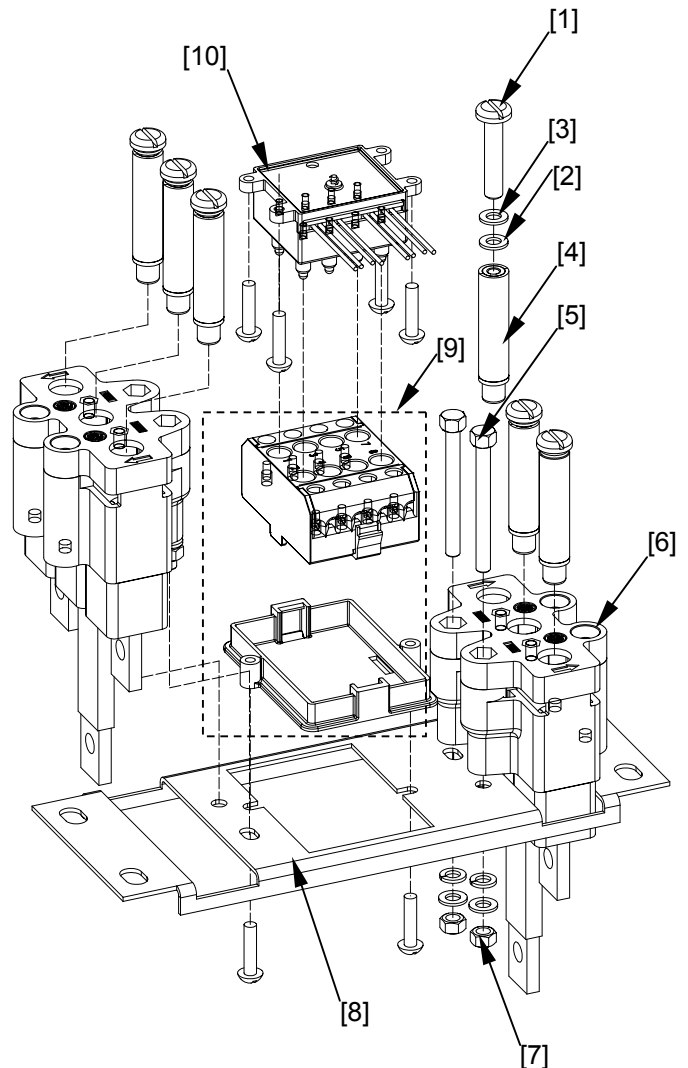


Figure 3. Plug-In Base Kit

Table 1: List of parts in the Plug-In base kit.

* Items to be ordered separately.

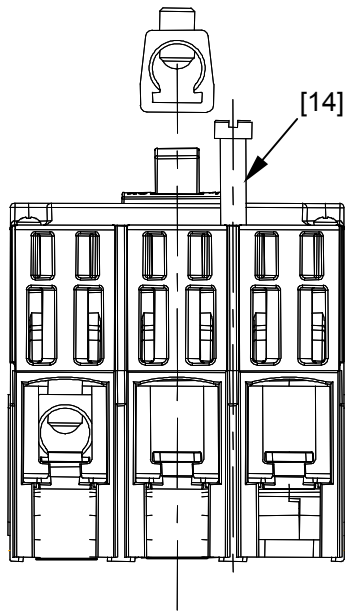


Figure 4. Remove the lugs from breaker.

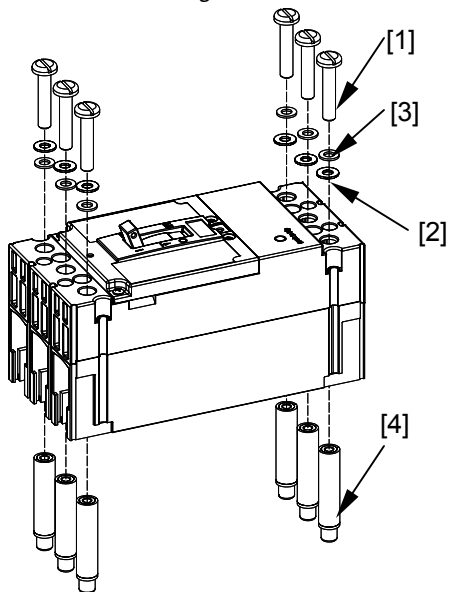


Figure 5. Assemble Male Plugs to Breaker terminals.

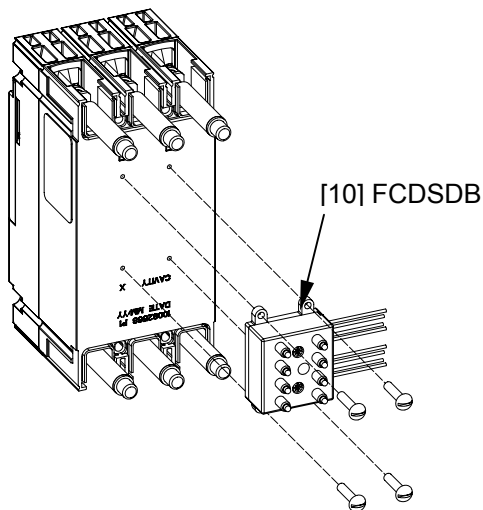


Figure 6. Assemble the Secondary Disconnect Breaker Adaptor to Breaker.

Step 2- Installation

1. Remove the lugs from breaker (if installed), as illustrated in Figure 4.
2. Replace each lug with male plug (4) and fasten them to breaker terminal with # 10-32 X 0.625" screw [1] and lock washer [2] and flat washer [3], as illustrated in Figure 5. Tighten the screws to 27 - 32 in-lb.
3. Fasten the Secondary Disconnect breaker adaptor (FCDSDB) [10] to the breaker base with #4-40 X 0.312" screw provided in kit, as illustrated in Figure 6. Tighten the screws to 5 - 6 in-lb.
4. Mount plug-in base (6) with #10-24x1.75" screw [5], nut [7], lock washer [2] and washer [3] to proper support*, using the dimension shown in the table and drawing for location of boltholes, as illustrated in Figures 8 & 9. Tighten the screws to 23 - 28 in-lb.
5. Fasten the Secondary Disconnect Base (FCSDSP) [9] to proper support or Mounting plate [8] with thread cutting screw #8-32X0.375" provided in kit, as illustrated in Figure 7. Tighten the screws 16 to 20 in-lb.

NOTE: Use # 8-32 X 2.875" long screws to mount FC100 circuit breaker. If mounting screws other than those provided are used, threads must be class 2 and free of burrs and deformation.

*Optional Mounting plate [8], available and used for dead front panel construction, can also be used as "templates" in mounting plugin bases.

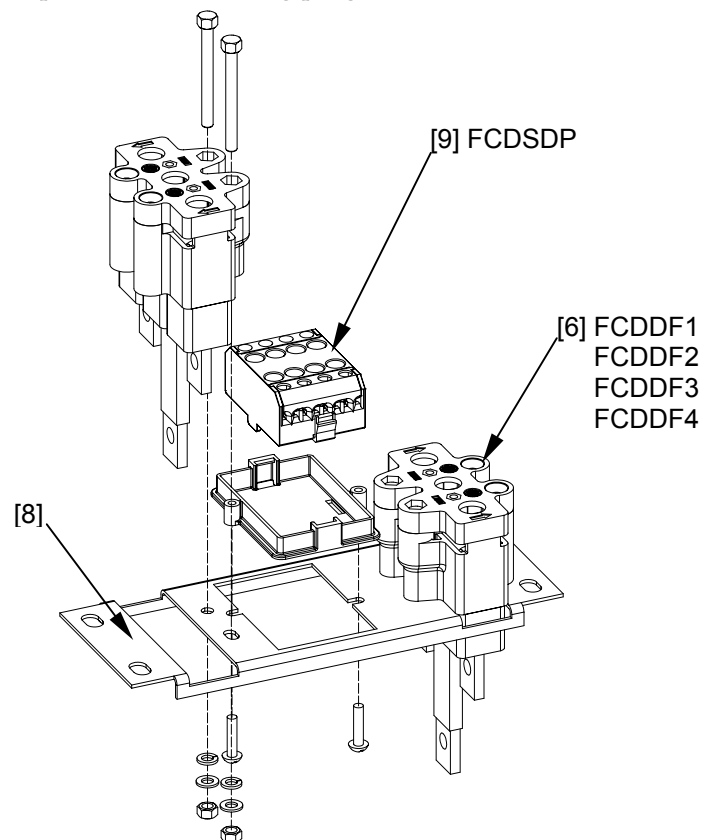
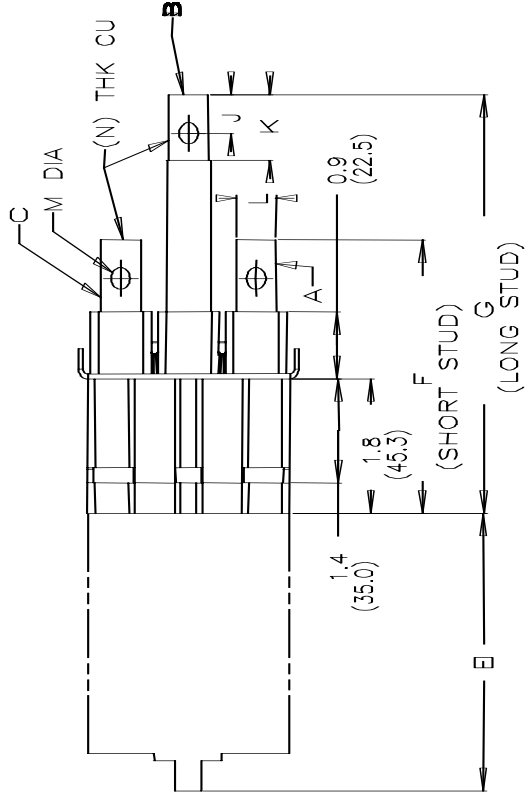
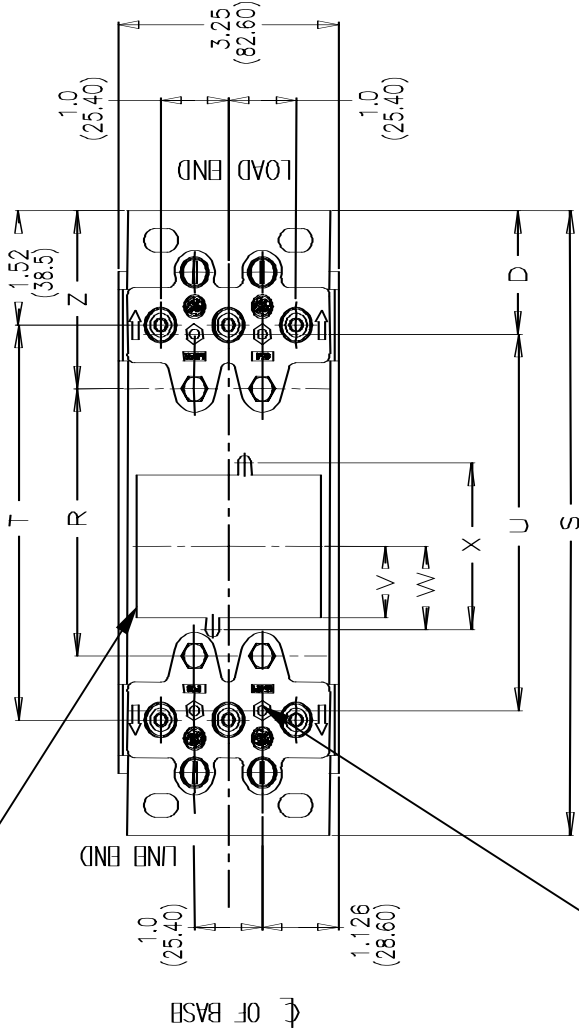


Figure 7. Assemble Plugin Base and Secondary Disconnect Bottom Holder on Mounting plate.

PROVISION FOR
SECONDARY
DISCONNECT



NOTE:
HORIZONTAL STUDS AS SHOWN.
FOR VERTICAL STUDS, ROTATE
CU STUDS 90°, OTHERWISE SAME
AS HORIZONTAL.

Figure 8. Outline view of completed
Plug-In installation.

(4)"P" BKR MTG HOLES

PLUG-IN BASE OUTLINE DIMENSIONS																									
BREAKER	STUD ASSEMBLY				AMP	POLE	D	E	F	G	J	K	L	M	N	P	R	S	T	U	V	W	X	Z	
	A	B	C																						
FC100	Long (L)	Short (S)	Long (L)	Short (S)	100	3																			
Horizontal Stud	FCDDF1	Short (S)	Long (L)	Short (S)	100	3	1.64 [41.6]	3.75 [95.26]	3.61 [91.8]	5.54 [140.8]	0.51 [13]	0.87 [22]	0.59 [15]	0.28 [7.2]	0.187 [4.75]	#8-32 TAP	3.54 [89.8]	8.27 [210]	5.23 [132.8]	4.98 [126.6]	0.94 [24]	1.1 [28.0]	2.2 [56]	2.36 [60.0]	
	FCDDF2	Long (L)	Short (S)	Long (L)	100																				
Vertical Stud	FCDDF3	Long (L)	Short (S)	Long (L)	100	3																			
	FCDDF4	Short (S)	Long (L)	Short (S)	100	3																			

Table 2. Plug-In mounting Dimensions

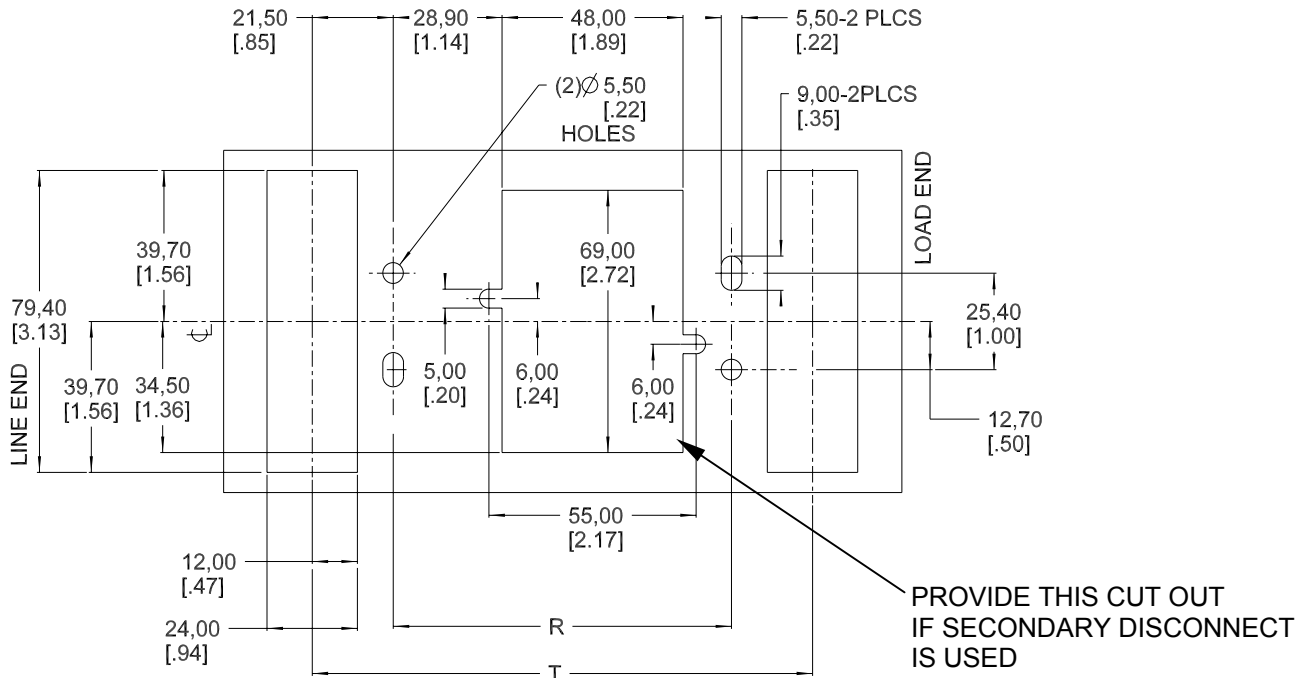


Figure 9. Drilling Plan for Mounting Panel

Step 3- Operation

1. With breaker in OFF position, install breaker by aligning male plugs with tulip connection and pressing firmly in place, as illustrated in Figure 10.
2. Connect the Secondary disconnect wires to the internal accessories mounted in the breaker.
3. Install the breaker on plug-in base as per FC100 breaker installation instruction [DEH40463].

Figure 8 is the outline view of completed installations with dimensions. Figure 9 illustrates the drilling plan for mounting panel.

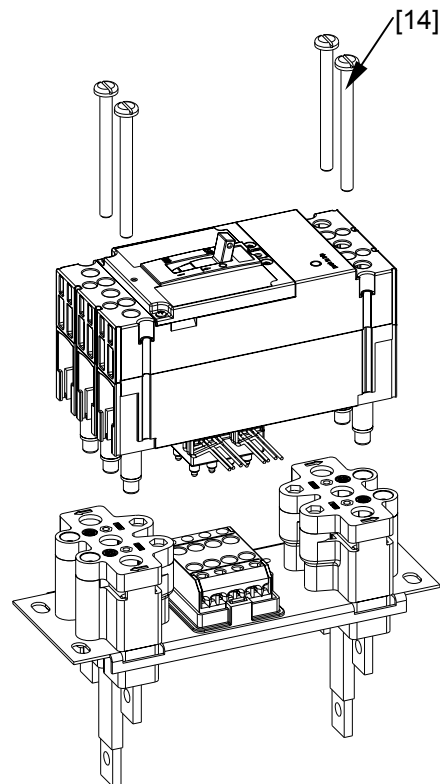


Figure 10. Breaker installation.

These instructions do not cover all details or variations in equipment nor do they provide for every possible contingency that may be met in connection with installation, operation, or maintenance. Should further information be desired or should particular problems arise that are not covered sufficiently for the purchaser's purposes, the matter should be referred to the GE Company. The circuit breaker is a sealed unit that contains no user-serviceable parts. Tampering with the seal will void the warranty.



GE Consumer & Industrial

*General Electric Company
41 Woodford Ave., Plainville, CT 06062
www.geindustrial.com*