



Record Plus™

Molded Case Circuit Breaker Accessories

Padlocking Kit

Congratulations and thank you for choosing the **Record Plus™** family of current-limiting circuit breakers. This UL-listed padlocking kit is suitable for use with the FE250 circuit breaker series.

Record Plus™ circuit breakers are designed with a full line of integrated accessories. All units use the latest in integrated modular circuit breaker technology for flexibility in application and maximizing the product's utilization and capabilities.

All **Record Plus™** circuit breakers are listed by Underwriters Laboratories to the UL489 standard.

Record Plus™ circuit breakers and their accessories are designed and manufactured to exceed our global customers' high standards for reliability and quality.

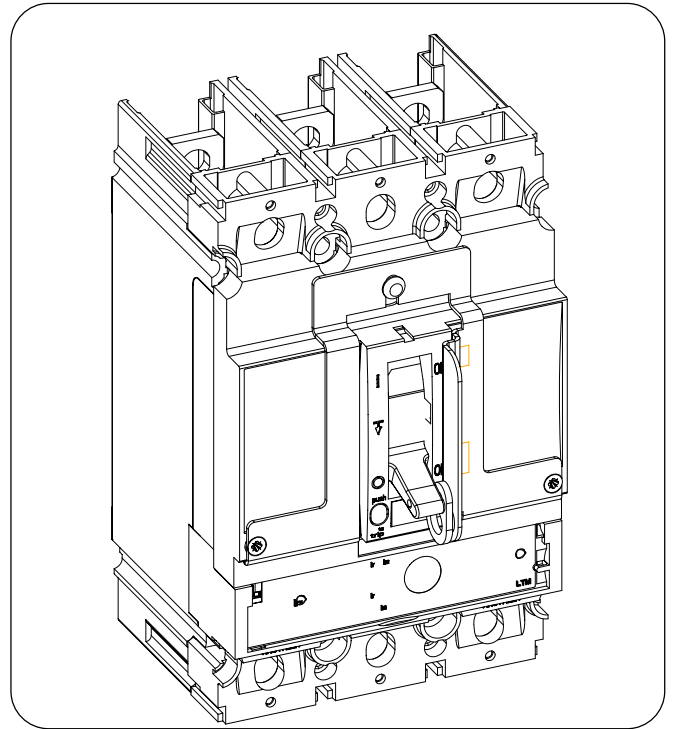


Figure 1. Padlocking kit installed on a **Record Plus™** FE250 circuit breaker.

Product Description

These instructions describe the installation procedure for the padlocking accessory on **Record Plus™** FE250 circuit breakers, as shown in Figure 1. The padlock is designed to function with padlock shank diameter from 3/16 to 5/16 in. (4.76 to 7.94 mm).

- Catalog number FE1PE provides stainless steel components and is EUSERC compliant.

The parts supplied with this kit are listed in Table 1. The parts are illustrated in Figure 2. Numbers in brackets in the text and the figures refer to the item numbers in Figure 2.



Warning: DANGER of Electrical shock or injury. Ensure ALL electrical power supplies are OFF before installing or removing any devices. The breaker, trip unit, or accessories **MUST ONLY** be installed and serviced by **QUALIFIED** personnel. See NEMA publication AB4.

Avertissement Danger contre les risques d'électrocutions. S'assurer avant TOUTES manipulations du disjoncteur que les différentes sources d'alimentation sont en position OFF. Les disjoncteurs, unités de protection, ou accessoires doivent être installés par des personnes qualifiées et habilitées. Lire NEMA publication AB4.

Step 1 – Unpack and Inspect

Unpack the padlock kit and inspect the parts for any shipping damage. Verify that all parts are supplied, as listed in Table 1 and illustrated in Figure 2

Item	Description	Qty
1	Padlock connector	1
2	Screw, M3 x 1.5 x 8 mm thread-forming	1
3	Keyhole screw	1
4	Padlock bracket	1
5	Screw, M3 x 1.5 x 19 mm thread-forming	2

Table 1. List of parts in the padlocking accessory kit.

Step 2 – Installation

This procedure is illustrated in Figure 2.

1. Insert the keyhole screw [3] with a 1/4 in. socket-head driver in the hole in the breaker case above the **ON** handle position. Tighten to 0.63 N-m [5.6 lb-in] torque until the base of the screw is flush with the breaker cover.
2. Attach the padlock connector [1] to the breaker handle with the M3 thread-forming screw [2] with a Phillips-head screwdriver. Tighten to 0.63 N-m [5.6 lb-in] torque until the screw [2] is seated in the connector [1].
3. Place the padlock bracket [4] into position over the switch and padlock connector, so that the slot in the bottom of the bracket slides into the groove in the keyhole screw [3]. Align the hole in the bracket [4] with the hole in the breaker top cover and then secure the bracket to the breaker with the M3 thread forming screw [5]. Tighten to 0.63 N-m [5.6 lb-in] torque until the screw [2] is seated in the connector [1].

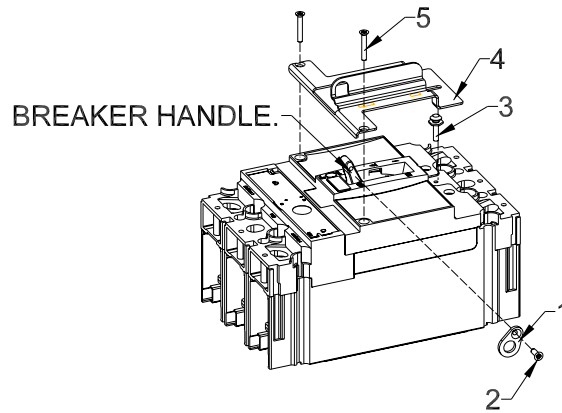


Figure 2. Parts supplied with the padlocking kit.

Step 3 – Operation

To lock the breaker in the **OFF** position, hold the handle as far down as it will go, then slide the shank of the padlock through the holes in the padlock bracket [4] and padlock connector [1]. See DEH40360 for installation and operation of the FE breaker.

These instructions do not cover all details or variations in equipment nor do they provide for every possible contingency that may be met in connection with installation, operation, or maintenance. Should further information be desired or should particular problems arise that are not covered sufficiently for the purchaser's purposes, the matter should be referred to the GE Company. The circuit breaker is a sealed unit that contains no user-serviceable parts. Tampering with the seal will void the warranty.



GE Consumer & Industrial

General Electric Company
41 Woodford Ave., Plainville, CT 06062
www.geindustrial.com