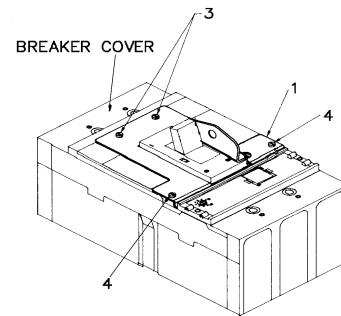
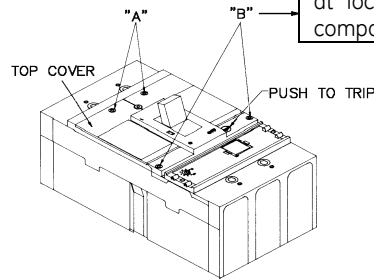


Spectra RMS™  
SG Frame Molded Case  
Circuit Breaker  
Installation Instructions DEH-41315

Handle Padlock Kit  
Catalog Number SGPLD

1. Before installing padlock device, push the trip button to place the circuit breaker handle in the tripped position
2. Remove the two screws at location "B" from top cover using magnetic screwdriver.
3. Remove the two screws at location "A" from top cover using magnetic screwdriver.
4. Do not remove or Lift the top cover after removing the screws from locations "A" and "B". Improper removal and/or replacement of the cover can cause damage to the digiclips and impact the performance of the circuit breaker.
5. Locate the screws pre assembled with item (1) with top cover, tighten the screws for fixing the padlock with breaker top cover.
6. The recommended torque to be used for removing and tightening screws is 20~24 Lb-In

**CAUTION**  
Lifting of top cover after removing the screws at location "B" may cause damage to the components on the electronic circuit board



ITM. NO.	DESCRIPTION	QTY	PART NO.
1	PADLOCK, HANDLE	1	208C3324P1
3	SCREW	2	L10P11010B6
4	SCREW	2	L10P11020B6
6	INSTALLATION SHEET	1	DEH41315

These instructions do not cover all details or variations in equipment nor do they provide for every possible contingency that may be met in connection with installation, operation or maintenance. Should further information be desired or should particular problems arise that are not covered sufficiently for the purchaser's purposes, the matter should be referred to the GE Company. The breaker is a sealed unit, which contains no user serviceable parts. Tampering with seal will void warranty.

