



## DEH-41376 Installation Instructions

### EntelliGuard® G Circuit Breaker Accessories

#### Introduction Castel Lock kit:

The breaker key lock is an optional accessory, which will keep the breaker in trip free state while locked. Maximum 1 key of Castell type can be used. All EntelliGuard Devices can be equipped with one castell lock, that when fitted as indicated.

Devices are found in two Variants:

1. Factory mounted mechanism:

The breaker/device is supplied off works with all cams and screws allowing the user to mount a separately acquired GE type lock kit.

2. Field mountable device:

A kit is supplied allowing the field mounting of the locking mechanism and allowing the use of a lock of the correct type purchased elsewhere


#### Catalog Number:

Catalog No	Description
GBCASR	Castell Lock Kit

Use the following procedure to install the Key Interlock Key accessory into the circuit breaker.

1. Turn the breaker off and discharge the closing springs by depressing the OFF and ON buttons in the sequence OFF-ON-OFF. Verify that the breaker OFF-ON indicator shows OFF and that the charge indicator shows DISCHARGE. If installing in a draw-out type breaker remove breaker from adaptor (cassette) before continuing.

#### Castell lock Kit

 **WARNING:** Before installing any accessories, turn the breaker OFF, disconnect it from all voltage sources, and discharge the closing springs.

 **AVERTISSEMENT:** Avant d'installer tout accessoire, mettre le disjoncteur en position OFF, le déconnecter de toute tension d'alimentation, et décharger les ressorts d'armement

2. Turn the breaker off and discharge the closing springs by depressing the OFF and ON buttons in the sequence OFF-ON-OFF. Verify that the breaker OFF-ON indicator shows OFF on a green background and that the charge indicator shows DISCHARGE on a white background. If installing in a draw-out type breaker remove breaker from adaptor (cassette) before continuing.

3. Loosen the 6 screws on front cover (fascia) using a pozidrive screw driver as shown in Fig 1.B Rotate the charging handle down and slide the front cover over the handle to remove the front cover as shown in Fig. 1.C



Figure 1. (A) Front Cover (B) Screw Removal (C) Handle Rotation

4. Fix the cam with the Castell lock with the screw and nuts provided along with the kit as shown in fig 2.

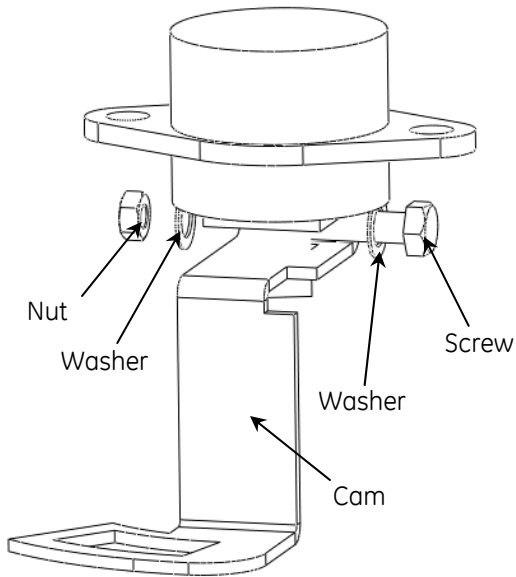


Fig 2.

5. Fix the Lock assy on the mounting Braket as shown in fig 3.

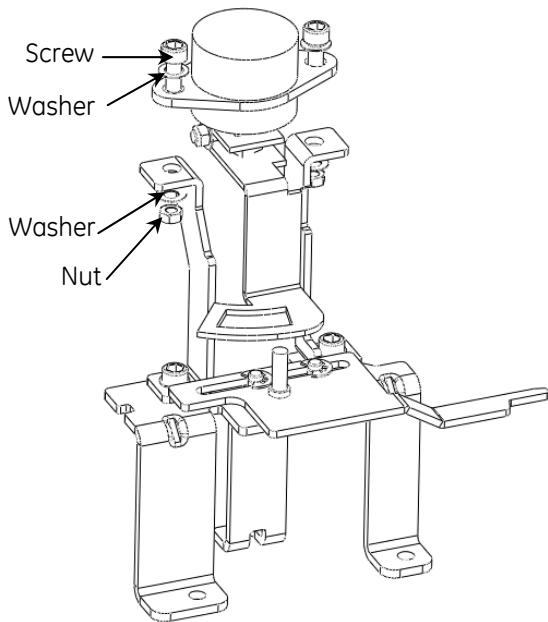


Fig 3.

6. Fix the mounting bracket assembly in breaker using the nuts provided as shown in fig 4a & 4b.

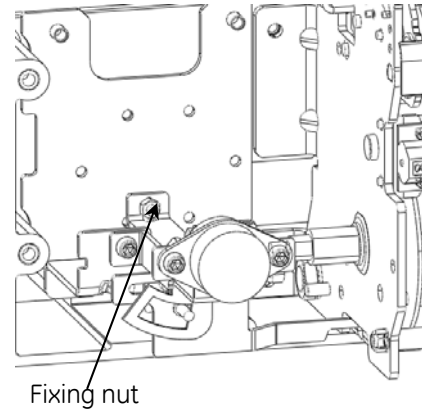


Fig 4a

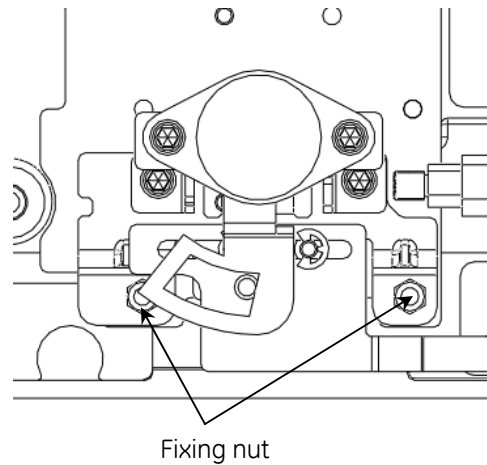


Fig 4b

7. Using the supplied screws fit the cover onto the Fascia

8. To reinstall the Fascia, rotate the charging handle down and slide the fascia over the handle to assemble the front cover to housing as shown in Fig. 5.

9. Ensure the fascia is aligned properly with the trip unit and the pad lock features of the breaker

10. Fasten the 6 mounting screws of fascia with the housing using a pozidrive screwdriver. Apply torque of 6 Nm (4.42 ft-lbs).



Fig 5

**Breaker key lock Operation:**

Use the following procedure to operate the padlock:

1. Depress the OFF pushbutton on the breaker front Fascia and extend/pull the breaker padlock lever to its' outer position.
2. With the padlock lever extended, rotate one or more of the keys anticlockwise as shown in fig 6. The key can then be removed thus locking the breaker in its open position.
3. With padlock lever extended, insert the key and rotate in clockwise to unlock.

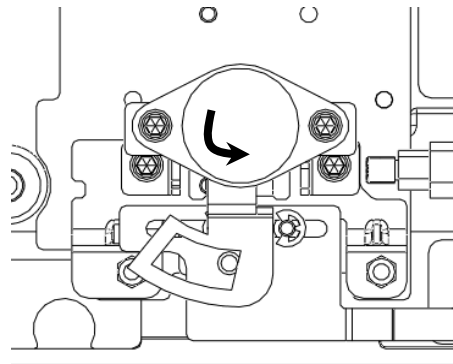


Fig 6



Fig 7 (Locked Condition)

These instructions do not purport to cover all details or variations in equipment nor, to provide contingency to be met in connection with installation, operation, or maintenance. Should further information be desired, or should particular problems arise which are not covered sufficiently for the purchaser's purposes, the matter should be referred to GE.

GE  
 41 Woodford Ave, Plainville, CT 06062  
 www.geelectrical.com

© 2009 General Electric Company

