



DEH-41392 Installation Instructions

EntelliGuard® G Circuit Breaker Accessories

Racking Handle

! WARNING: Before installing any accessories, turn the breaker OFF, disconnect it from all voltage sources, and discharge the closing springs.

! AVERTISSEMENT: Avant d'installer tout accessoire, mettre le disjoncteur en position OFF, le déconnecter de toute tension d'alimentation, et décharger les ressorts d'armement

Racking Handle

A Collapsible Racking Handle is provided to Rack in/out the draw out breakers whenever needed.

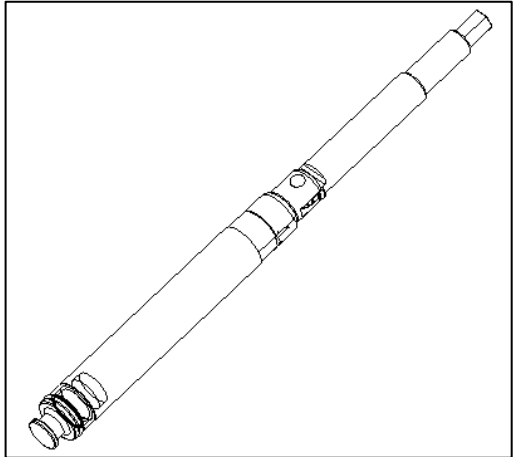
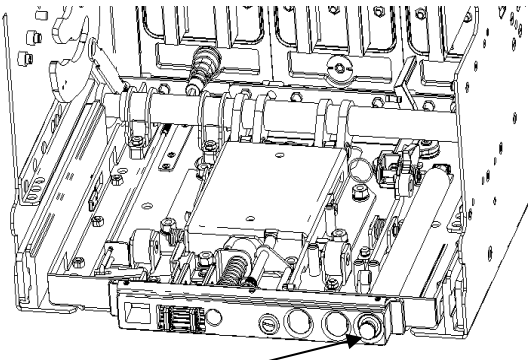


Figure 1 Racking handle



Handel Installed in Storagee

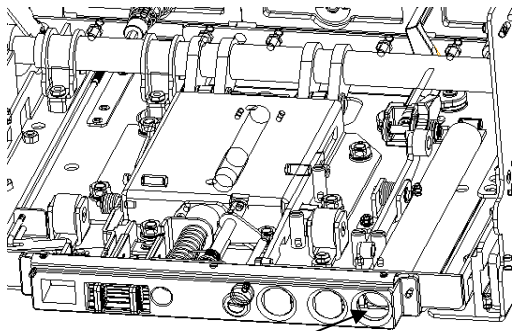
Catalog No	Description
GRHN	Racking handle

A storage provision is given in the draw out cassette base plate. The racking handle can be stored in the storage as shown in fig 2 when it is straight

Application instructions:

The racking handle has two Configurations

1. Storage Configuration: This is the configuration as the racking handles are received. They will be Straight and shorter in length (Collapsed) as show in Fig 3



Storage Tube

Figure 2 Racking Handle Storage tube

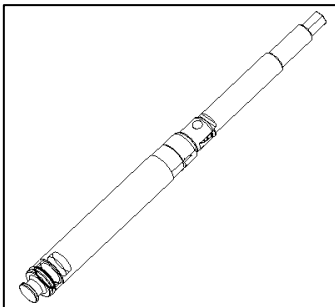


Figure 3 Racking handle in Storage configuration

- Usage Configuration: The racking handle can be expanded and folded to Z-shape for usage as shown in figure

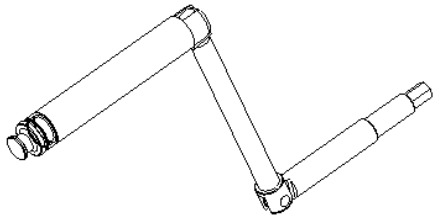
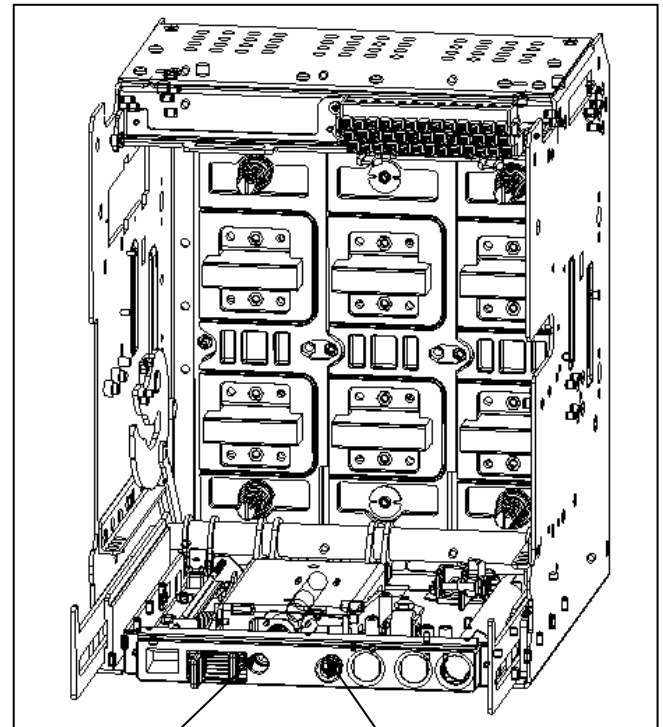


Figure 4. Racking handle in usage configuration

To Rack in/out follow the below procedure

- Pull out the racking handle from the storage tube
- Expand and fold the racking handle to Z-shape as shown in fig -4
- Rotate the Quarter turn screw using a flat screw driver Clockwise
- Insert the Raking handle into the racking screw access hole in the panel as shown
- Rotate the racking handle clock wise to rack in the breaker and anti-clock wise to rack out the breaker

- Once racking operation is over pull out the handle from racking access hole and store it in storage tube



Racking screw access hole

Quarter Turn Screw

These instructions do not purport to cover all details or variations in equipment nor, to provide contingency to be met in connection with installation, operation, or maintenance. Should further information be desired, or should particular problems arise which are not covered sufficiently for the purchaser's purposes, the matter should be referred to GE.

GE
41 Woodford Ave, Plainville, CT 06062
www.geelectrical.com

© 2009 General Electric Company

