



DEH-41399 Installation Instructions for TQ3HTK and TQ4HTK handle tie kits for use on multi-wire branch circuits

For use on Type THQB, THQC and THQL single pole circuit breakers used in multi-wire branch circuit applications. Kit TQ3HTK is for use with three single-pole breakers. Kit TQ4HTK is for use with four single-pole breakers.

⚡ WARNING: Hazard of electrical shock or burn.
Turn off power supplying the equipment before working inside.

Assembly instructions for TQ3HTK Kit

1. Position all circuit breakers in OFF position.
2. Place handle tie on CENTER circuit breaker as shown in Figure 1.

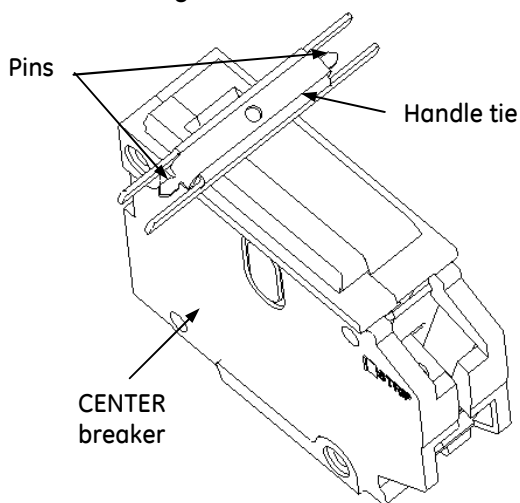


Fig. 1

3. Align holes in LEFT and RIGHT circuit breaker handles with pins on handle tie and slide LEFT and RIGHT circuit breakers towards the CENTER circuit breaker as shown in Figure 2.

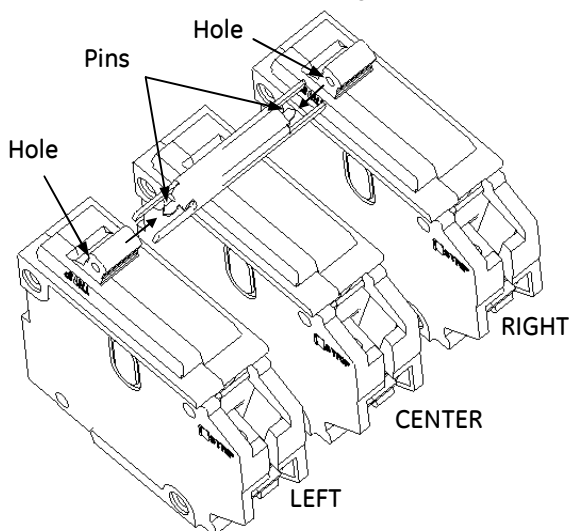


Fig. 2

4. Final assembly will look as shown in Figure 3. Mount the assembly into appropriate GE panelboard or enclosure.

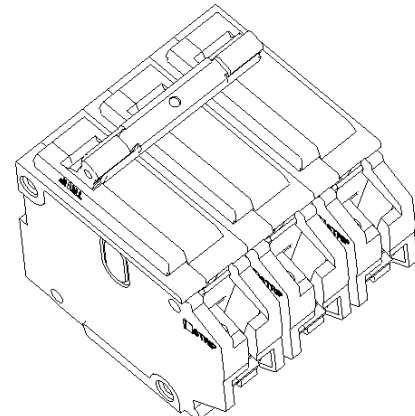


Fig. 3

5. Install dead front and exercise the handle tie. Ensure that all circuit breakers operate properly.
6. Identify multi-wire branch circuits on dead front.

Assembly instructions for TQ4HTK kit are the same as above except that there are two CENTER circuit breakers. Figure 4 shows the assembly of the TQ4HTK handle tie on four single pole circuit breakers.

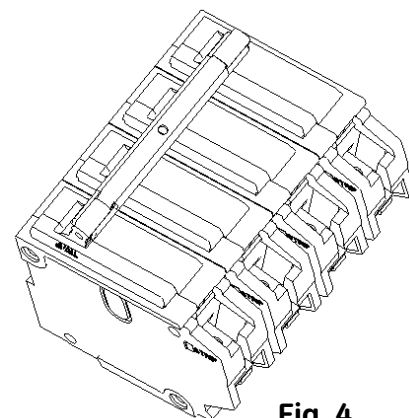


Fig. 4



GE Consumer & Industrial

General Electric Company
41 Woodford Ave., Plainville, CT 06062
© 2005 General Electric Company
DEH-41399 Rev01 02/09