



DEH-41401 Installation Instructions

EntelliGuard® G Circuit Breaker Accessories

Introduction

Drawout Secondary Disconnect:

Drawout breakers are always supplied with one secondary disconnect (auxiliary connection block) suitable for 39 connection points (terminal A). When the number of factory installed accessories exceeds the available number of connection points needed, a 2nd connection block is automatically added (terminal B) to the Breaker. For cases where the accessories are mounted in the field, or needed for the cassette an additional auxiliary connection block can be added to provide 39 more additional connections.



Figure 1. SD Breaker End

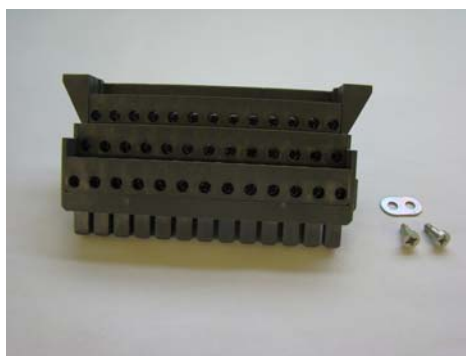


Figure 2. SD Cassette End

Drawout Secondary Disconnect



WARNING: Before installing any accessories, turn the breaker OFF, disconnect it from all voltage sources, and discharge the closing springs.



AVERTISSEMENT: Avant d'installer tout accessoire, mettre le disjoncteur en position OFF, le déconnecter de toute tension d'alimentation, et décharger les ressorts d'armement

Catalog Number:

Catalog No	Description
GSDWTR	Aux, Disconnect Drawout 39 terminal

Use the following procedure to install the Drawout Secondary Disconnect accessory into the circuit breaker.

Installation of Breaker side Secondary disconnect:

1. Turn the breaker off and discharge the closing springs by depressing the OFF and ON buttons in the sequence OFF-ON-OFF. Verify that the breaker OFF-ON indicator shows OFF on a green background and that the charge indicator shows DISCHARGE on a white background. If installing in a draw-out type breaker remove breaker from adaptor (cassette) before continuing.
2. The breaker should be safely isolated and fully removed from the cassette.
3. Place the secondary disconnect block on the mounting bracket and assemble the two mounting screws as shown in fig 3 & 4.

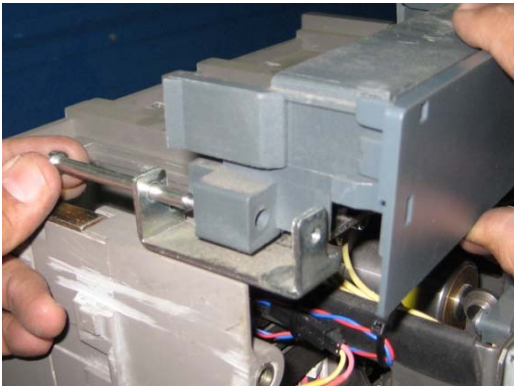


Figure 3. Screws assembly

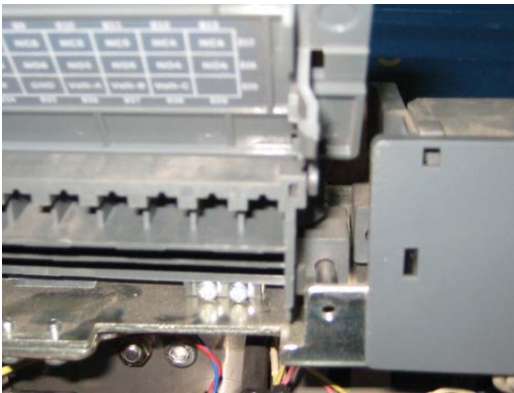


Figure 4. Screws assembly

4. Push the secondary disconnect block toward the back of the mounting plate of the breaker and ensure it is inline with the first block as shown in fig 5.



Figure 5. SD assembly

Installation of Cassette side Secondary disconnect:

1. Remove the screw shown in the fig 6.



Figure 6. Removing the screw

2. Assemble the label as shown in the fig 7.



Figure 7. Label assembly

3. Assemble the new SD block as shown in fig 8 & 9.



Figure 8.

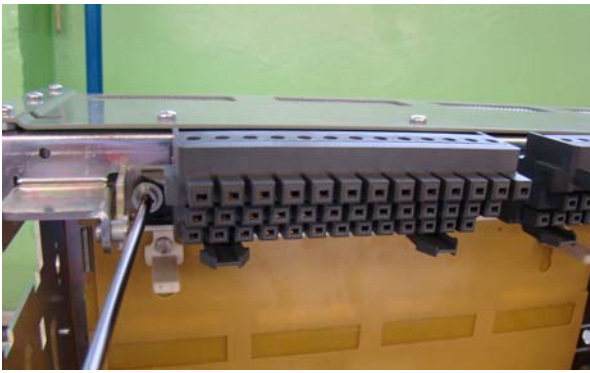


Figure 9. Assembly of SD block

2. Any "ADVANCED FEATURES" are selected in breaker/trip unit Catalog Digit 19
3. A COIL SIGNALING CONTACT OPTION is selected, Digit 12
4. A READY TO CLOSE signal via the trip unit is selected, Digit 13
5. Any of the following OPTIONAL Aux. Contact Switches are selected in Digit 12
 - 8NO/NC POWER RATED
 - 3NO/NC POWER RATED + 2NO/NC HIFI
 - 4NO/NC POWER RATED + 4NO/NC HIFI

4. Complete the wiring of the new accessories to the secondary disconnect block (refer wiring diagram on the next page). Assemble back the breaker in the cassette.

Note:

Secondary Disconnect Block B is Required When:

1. Any "ZONE SELECTIVE INTERLOCKING" options are selected in breaker/trip unit Catalog Digit 18

NOTE: Side Secondary Disconnects are specifically intended for 5-High ("high density") equipment designs

With Side Mounted Disconnects (SSD), The following Aux Switches are not valid (In Digit 12); Auxiliary Switch, 8NO+8NC (Power Rated) or Aux. Switch, 4NO/4NC (Power Rated) + 4NO/4NC (High Fidelity)

Reference:

Secondary Disconnect Wiring Table:

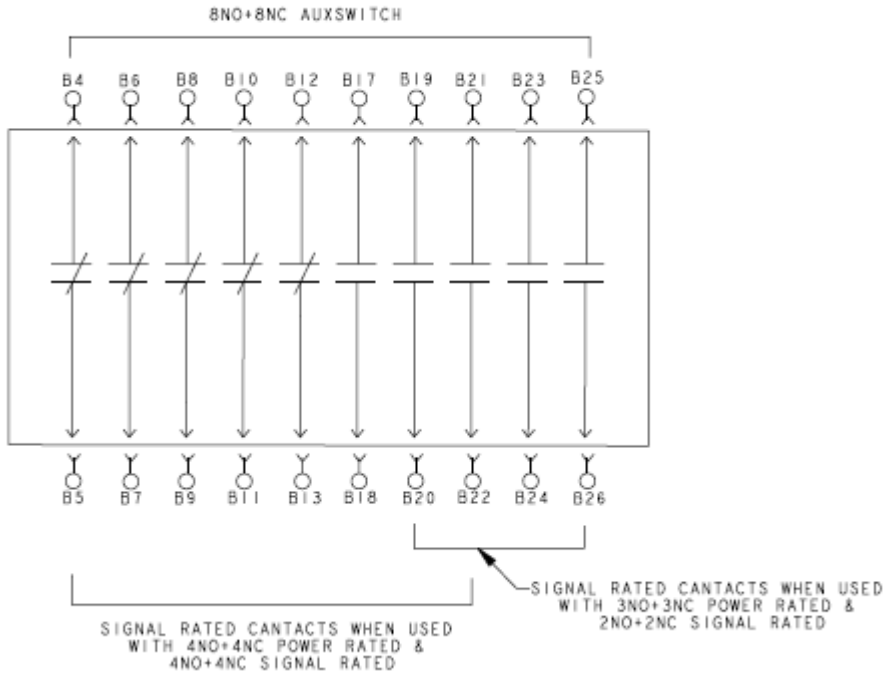
Block A layout

A1 MOTOR	A2 MOTOR	A3 SPR/ RTC	A4 SPR/ RTC	A5 ST1	A6 ST1	A7 UV1	A8 UV1	A9 CC COM	A10 CC IMM	A11 CC CMD	A12 ST2/UV2	A13 ST2/UV2
A14 NC3	A15 NC3	A16 NC2	A17 NC2	A18 NC1	A19 NC1	A20 NO3	A21 NO3	A22 NO2	A23 NO2	A24 NO1	A25 NO1	A26
A27 O/P1a	A28 O/P1b	A29 O/P2 a	A30 O/P2b	A31 24V+	A32 24V-	A33 BA NC	A34 BA NO	A35 BA COM	A36 N RC-	A37 N RC+	A38 Eleg- CT	A39 Eleg- CT

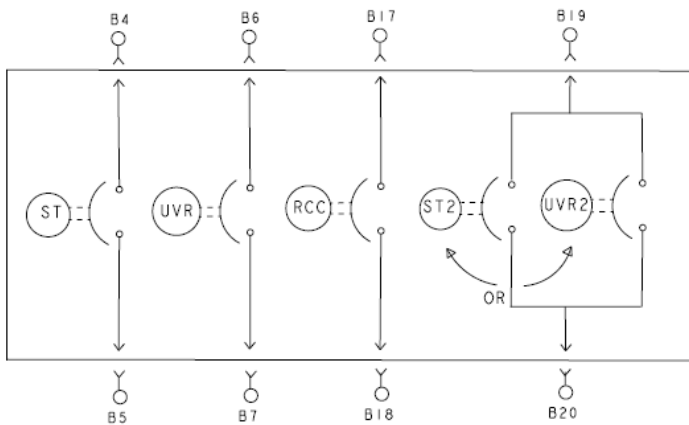
Block B layout

B1 INPUT1	B2 INPUT2	B3 I/P com	B4 ST1 NO / NC8	B5 ST1 NO / NC8	B6 UV1 NO / NC7	B7 UV1 NO / NC7	B8 NC6	B9 NC6	B10 NC5	B11 NC5	B12 NC4	B13 NC4
B14	B15	B16	B17 CC NO / NO8	B18 CC NO / NO8	B19 ST2/UV2 NO /NO7	B20 ST2/UV2 NO /NO7	B21 NO6	B22 NO6	B23 NO5	B24 NO5	B25 NO4	B26 NO4
B27 ZSI OUT+	B28 ZSI OUT+	B29 ZSI IN+	B30 ZSI IN-	B31 Iso GND	B32 5V Iso	B33 Tx_EN_1	B34 RX	B35 TX	B36 GND	B37 Volt-A	B38 Volt-B	B39 Volt-C

STANDARD CONNECTION SCHEME FOR OPTIONAL BLOCK-B



OPTIONAL CONNECTION SCHEME FOR COIL STATUS SWITCHES (BLOCK B)



These instructions do not purport to cover all details or variations in equipment nor, to provide contingency to be met in connection with installation, operation, or maintenance. Should further information be desired, or should particular problems arise which are not covered sufficiently for the purchaser's purposes, the matter should be referred to GE.

GE
41 Woodford Ave, Plainville, CT 06062
www.geelectrical.com

© 2009 General Electric Company

