



EntelliGuard® G Circuit Breaker Accessories

Flat front Terminations Envelope 1 & 2

Flat Front Terminal assemblies are supplied with the Entelliguard breaker when needed

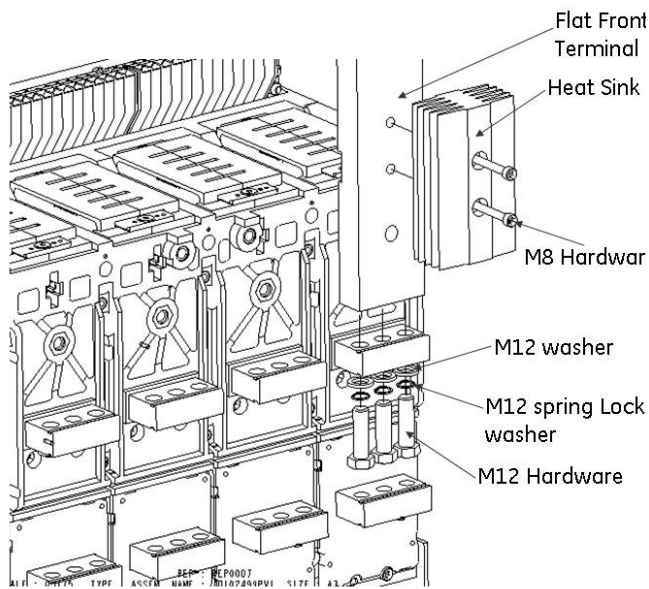



Fig A. Flat front Termination assembly

Catalogue No:

Catalog #	Description
GBB1TBF3	Envelope 1-3pole 800 - 2000A
GBB1TBF4	Envelope 1-4pole 800 - 2000A
GBB2TBF3	Envelope 2-3pole 800A - 3000A
GBB2TBF4	Envelope 2-4pole 800A - 3000A
GBB1STBF3	Envelope 1-3pole Type S up to 1200A
GBB1STBF4	Envelope 1-3pole Type S up to 1200A

Flat Front Terminations for Fixed Breaker

 **WARNING:** Before installing any accessories, turn the breaker OFF, disconnect it from all voltage sources, and discharge the closing springs.

 **AVERTISSEMENT:** Avant d'installer tout accessoire, mettre le disjoncteur en position OFF, le déconnecter de toute tension d'alimentation, et décharger les ressorts d'armement

Flat Front Terminations Assembly Procedure:

1. Turn the breaker off and discharge the closing springs by depressing the OFF and ON buttons in the sequence OFF-ON-OFF. Verify that the breaker OFF-ON indicator shows OFF on a green background and that the charge indicator shows DISCHARGE on a white background.
2. Assemble the Flat Front to the rear terminals with M12 Hardware as shown in Fig A., Tighten the hardware to torque 50N-m (36.9 ft-lbs)
3. Assemble the Heat Sink with M8 Hardware to Flat Front as shown in Fig A. Tighten to torque 12-14N-m (8.9-10.3 ft-lbs)
4. Similarly populate the Flat Front and Heat sink on all other terminals as shown in fig B & C.
5. The bus bars to be supported within 200mm distance and tightened to 50N-m (36.9ft-lbs) torque.

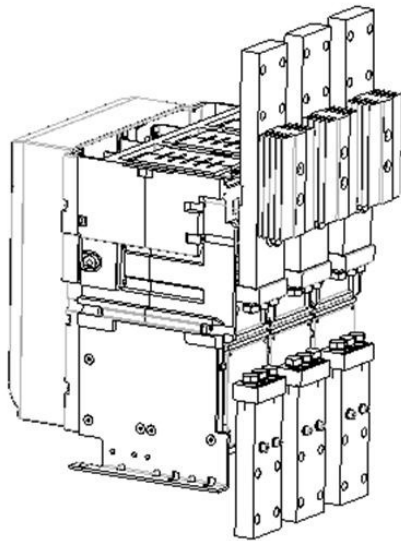


Fig B. 3 Pole Breaker assembly

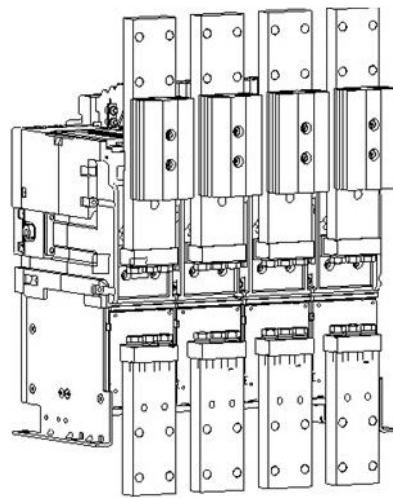


Fig C. 4 Pole Breaker assembly

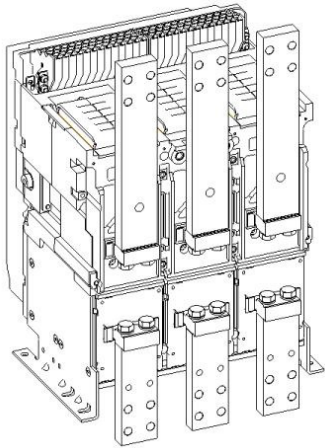


Fig D. F1 3 Pole Breaker assembly Type S up to 1200A

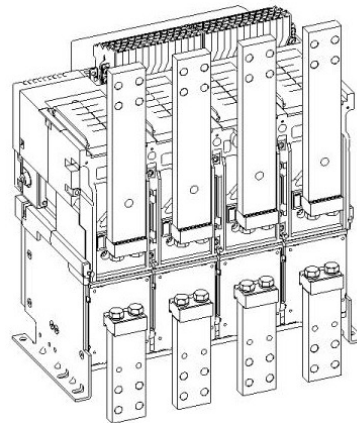


Fig E. F1 4 Pole Breaker assembly Type S up to 1200A

These instructions do not purport to cover all details or variations in equipment nor, to provide contingency to be met in connection with installation, operation, or maintenance. Should further information be desired, or should particular problems arise which are not covered sufficiently for the purchaser's purposes, the matter should be referred to GE.

GE
41 Woodford Ave, Plainville, CT 06062
www.geelectrical.com

© 2009 General Electric Company



DEH- 41405 R02
(30/08/2010)