



DEH-41412 Installation Instructions

EntelliGuard® G Circuit Breaker Accessories

Introduction Closing Coil:

To switch the Power Circuit Breaker ON remotely a closing coil is available that when energized releases the spring charged closing mechanism. The device is available as a factory mounted component or as a field mountable device. It is an easy-to-fit, clip-on unit, with simple plug-in connectors. The coils have a life span equivalent to that of the full breaker life span.



Closing Coil

WARNING: Before installing any accessories, turn the breaker OFF, disconnect it from all voltage sources, and discharge the closing springs.

AVERTISSEMENT: Avant d'installer tout accessoire, mettre le disjoncteur en position OFF, le déconnecter de toute tension d'alimentation, et décharger les ressorts d'armement

Refer to Pub DEH-41418 for Command Close Coils

At Rated Voltage:

- **Inrush Power: 350 VA**
- **Sealed: 20W**

Use the following procedure to install the Closing Coil accessory into the circuit breaker.

1. Verify that the rating on the Closing Coil identification plate matches the voltage rating required for the application, as listed in Table 1.

2. Turn the breaker off and discharge the closing springs by depressing the OFF and ON buttons in the sequence OFF-ON-OFF. Verify that the breaker OFF-ON indicator shows OFF on a green background and that the charge indicator shows DISCHARGE on a white background. If installing in a draw-out type breaker remove breaker from adaptor (cassette) before continuing.

3. Loosen the 6 screws on front cover (fascia) using a posidrive screw driver as shown in Fig 1.B Rotate the charging handle down and slide the front cover over the handle to remove the front cover as shown in Fig. 1.C.

Table 1. Catalog Numbers and Ratings

Type	Power Consumption	Nominal Control Voltage	Catalog Number
Closing Coil	DC: 350W, 20 W (sealed)	24Vdc	GCCN024DR
		48Vac/dc	GCCN048R
		60 to 72Vdc	GCCN060DR
	AC: 350W (inrush), 20W (sealed)	110/130/120Vac	GCCN120R
		208Vac	GCCN208AR
		220Vdc/240Vac	GCCN240R
		250Vdc/277Vac	GCCN277R

- Duty cycle = 2/min.
- Closing coil inrush = 350VA.



Figure 1. (A) Front Cover (B) Screw Removal (C) Handle Rotation

4. This accessory is mounted on the mechanism top plate at 3rd location as shown in Fig. 2.

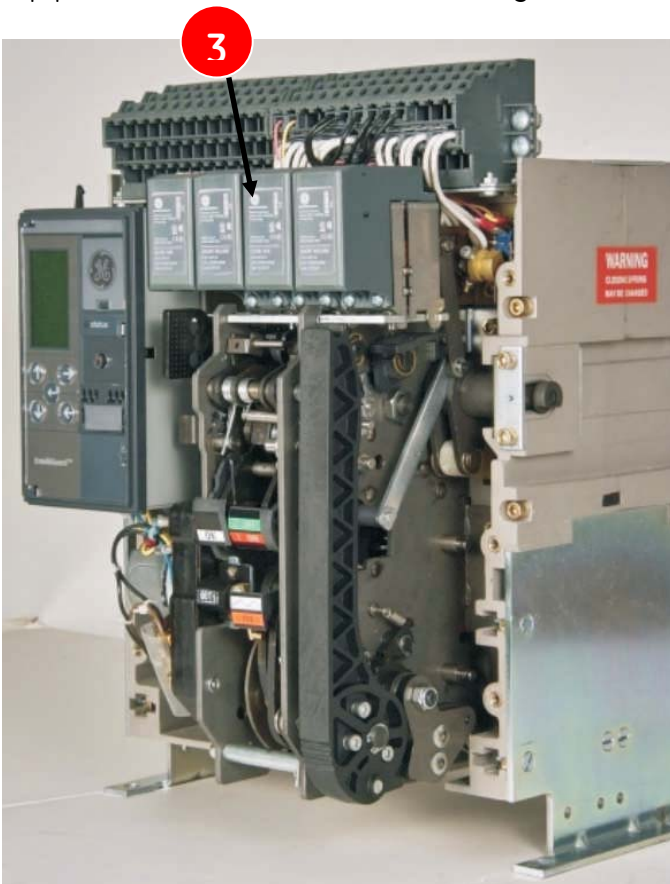


Figure 2.

5. Tilt the coil forward and engage the front hooks into the mechanism top support plate as shown in the Fig.3.



Figure 3. Insert top plate

6. Tilt the device backwards until the rear hooks engage in the slots on the mechanism top support plate as shown in the Fig. 4.



Figure 4. Snap on

7. After installing the closing coil on the mechanism top plate, connect the input wire assembly plug to the A9-A10 locations marked on the secondary disconnect as shown in Fig. 5.



Figure 5. Wire assembly

8. Ensure that the plug in connection is firm and that the plug is inserted into the correct terminals.

9. To reinstall the cover, rotate the charging handle down and slide the front cover over the handle to assemble the front cover to housing as shown in Fig. 6.

10. Ensure the fascia is aligned properly with the trip unit and the pad lock features of the breaker.

11. Fasten the 6 mounting screws of fascia with the housing using a pozidrive screwdriver. Apply torque of 6 Nm (4.42 ft-lbs).

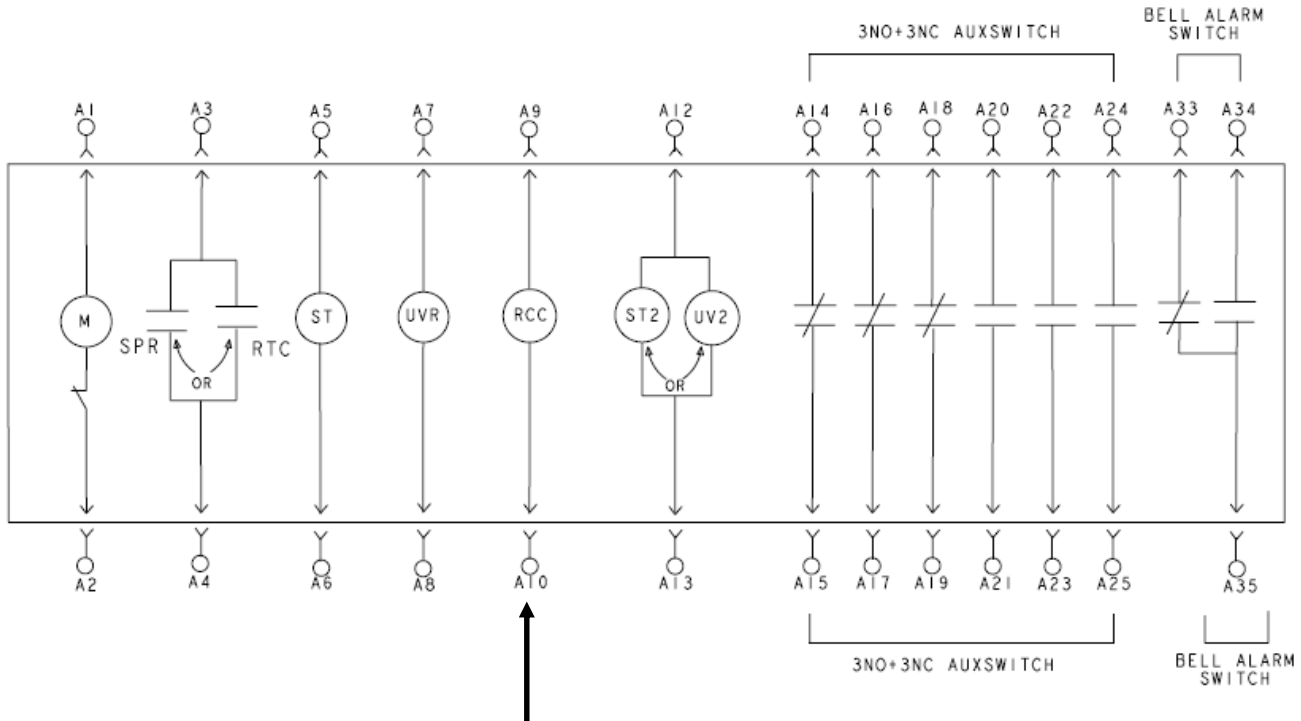


Figure 6.

Reference:

Closing Coil Connection Scheme:

STANDARD CONNECTION SCHEME FOR TERMINAL BLOCK A



These instructions do not purport to cover all details or variations in equipment nor, to provide contingency to be met in connection with installation, operation, or maintenance. Should further information be desired, or should particular problems arise which are not covered sufficiently for the purchaser's purposes, the matter should be referred to GE.

GE
 41 Woodford Ave, Plainville, CT 06062
 www.geelectrical.com

© 2009 General Electric Company

