



**DEH-41419 Installation Instructions**

**EntelliGuard® G Circuit Breaker Accessories**

**Introduction**

**Ready To Close (RTC):**

Ready to close switch indicates the breaker readiness status. It indicates when the following conditions are met.

- The circuit breaker is open
- The closing springs are charged
- The circuit breaker is not locked/interlocked in open position
- There is no standing closing order
- There is no standing opening order

The indication can be known either through the trip unit or remotely. RTC thru trip unit is signal rated contact. RTC thru secondary disconnect can be power rated or signal rated. When RTC signal is used thru the secondary disconnect, it replaces the spring charge status contact.



**Table 1.Catalog Numbers and Ratings:**

**RTC TO SD, Signal rated Contact:**

			Cat No
AC Ratings	125Vac	0.1A	GRTC2
DC Ratings	30Vdc	0.1A	

**Ready To Close (RTC)**

	<b>WARNING:</b> Before installing any accessories, turn the breaker OFF, disconnect it from all voltage sources, and discharge the closing springs.
--	-----------------------------------------------------------------------------------------------------------------------------------------------------

	<b>AVERTISSEMENT:</b> Avant d'installer tout accessoire, mettre le disjoncteur en position OFF, le déconnecter de toute tension d'alimentation, et décharger les ressorts d'armement
--	--------------------------------------------------------------------------------------------------------------------------------------------------------------------------------------

**RTC TO SD, Power Rated Contact:**

			Cat No
AC Ratings	125Vac	6A	GRTC1
	250Vac	6A	

**RTC TO Trip Unit, Signal rated Contact**

			Cat No
AC Ratings	125Vac	0.1A	GRTC3
DC Ratings	30Vdc	0.1A	

Use the following procedure to install the Ready To Close (RTC) accessory into the circuit breaker.

1. Verify that the rating on the Ready To Close (RTC) identification plate matches the voltage rating required for the application, as listed in Table 1.
2. Turn the breaker off and discharge the closing springs by depressing the OFF and ON buttons in the sequence OFF-ON-OFF. Verify that the breaker OFF-ON indicator shows OFF on a green background and that the charge indicator shows

DISCHARGE on a white background. If installing in a draw-out type breaker remove breaker from adaptor (cassette) before continuing.

3. Loosen the 6 screws on front cover (fascia) using a posidrive screw driver as shown in Fig 1.B Rotate the charging handle down and slide the front cover over the handle to remove the front cover as shown in Fig. 1.C.



Figure 1. (A) Front Cover (B) Screw Removal (C) Handle Rotation

4. Slide the RTC switch assembly over the mechanism side sheet and locate in the two locating holes as shown in fig 2.



Figure 2. Assembly on mechanism

5. Assemble the screw with washer as shown in Fig. 3 Tighten the screw to torque 1.2Nm (0.9 ft-lbs).

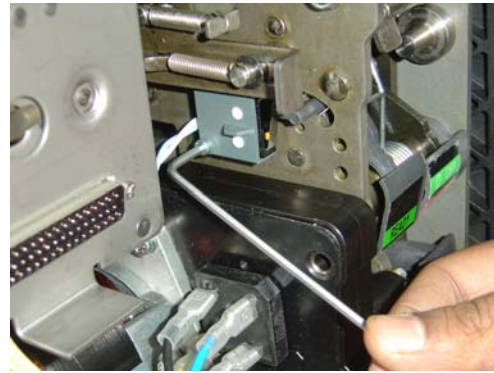


Figure 3. Screw assembly

6. When RTC thru trip unit is used, plug the connector from the RTC switch assembly to the connector marked as RTC from the harness of the trip unit as shown in Fig. 4.

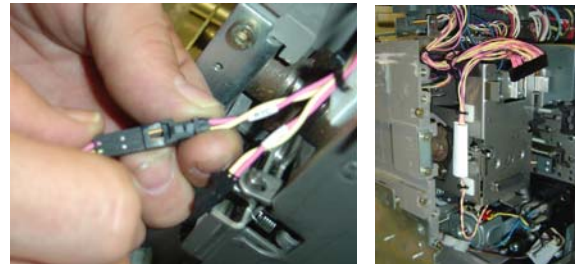


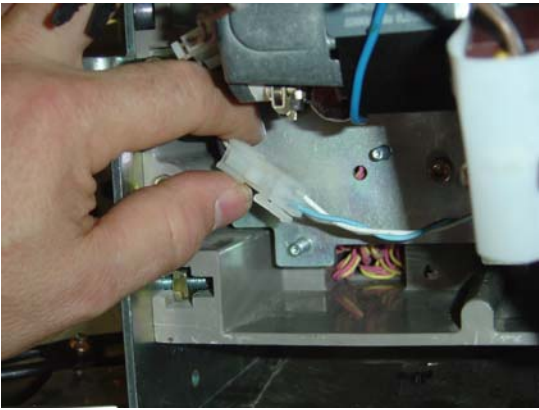
Figure 4. Connector Plug Assembly

7. If RTC is used thru the secondary disconnect, then first unplug the spring charge contact connector from motor as shown in Fig. 5



Figure 5. Unplug Spring Contact

7. Plug the connector from the RTC switch assembly with the plug marked as RTC as shown in fig 6.



**Figure 6. Connector Plug Assembly**

8. To reinstall the cover, rotate the charging handle down and slide the front cover over the handle to assemble the front cover to housing as shown in Fig. 7.



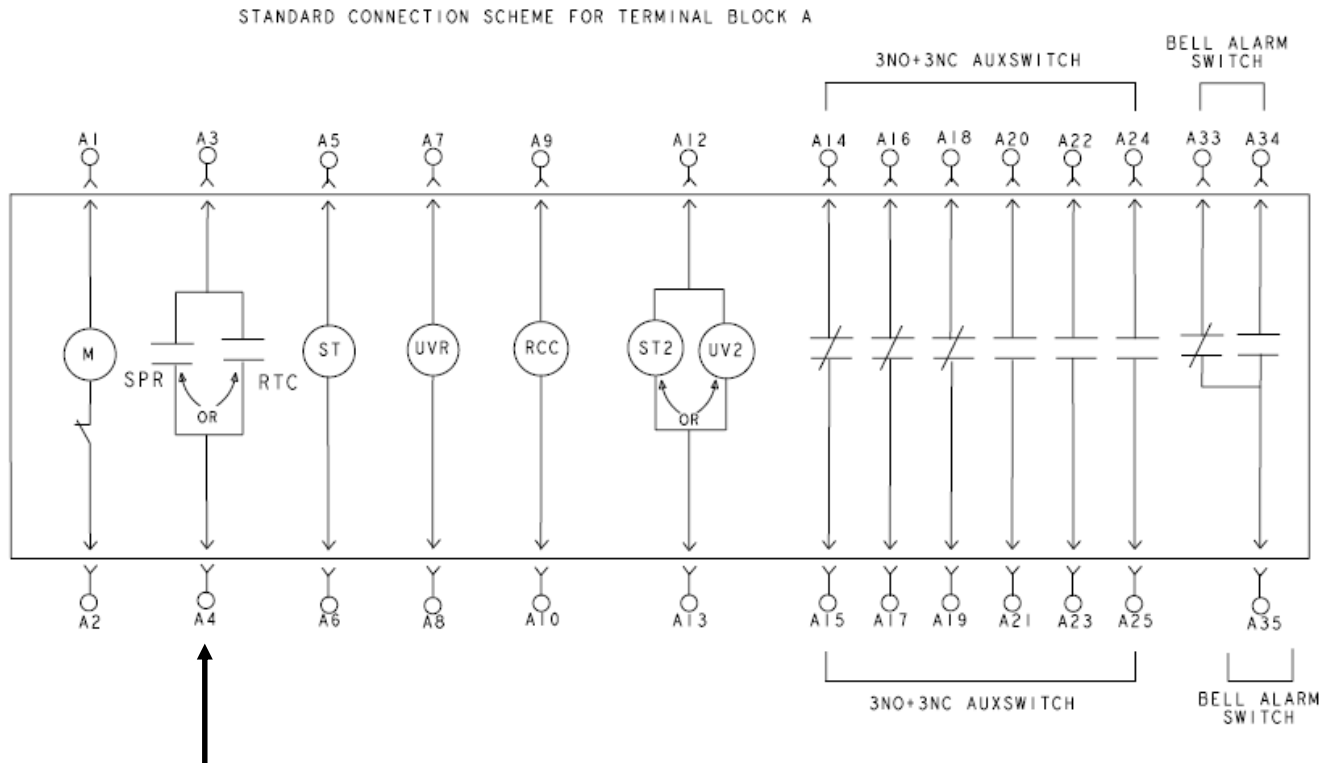
**Figure 7.**

9. Ensure the fascia is aligned properly with the trip unit and the pad lock features of the breaker.

10. Fasten the 6 mounting screws of fascia with the housing using a pozidrive screwdriver. Apply torque of 6 Nm (4.42ft-lbs).

**Reference:**

**Ready To Close (RTC) Connection Scheme:**



These instructions do not purport to cover all details or variations in equipment nor, to provide contingency to be met in connection with installation, operation, or maintenance. Should further information be desired, or should particular problems arise which are not covered sufficiently for the purchaser's purposes, the matter should be referred to GE.

GE  
41 Woodford Ave, Plainville, CT 06062  
www.geelectrical.com

© 2009 General Electric Company



DEH-41419 R2 (05/09)