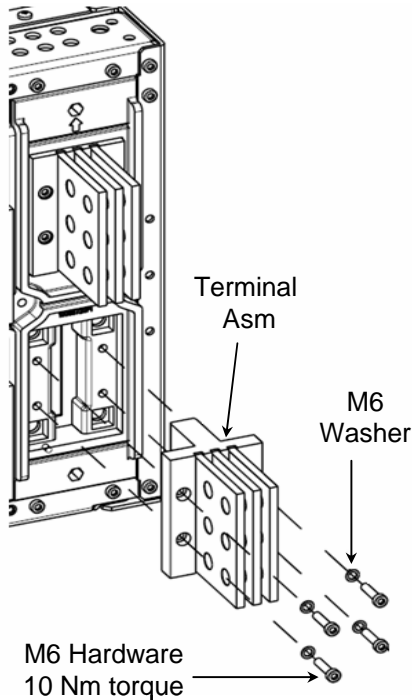




**Back Connected Terminations  
Cassette Envelope 1 & 2 – 2000A**

Terminal assemblies are supplied with the Entelliguard breaker.



**Fig A. Back Connected Terminations assembly for 2000 Amperes (ANSI / UL)**

**Table 1. Back Connected Terminations for Cassette Catalog numbers**

Envelope Size	Catalog #	TYPE
Envelope 1	GBB220TBBC3	3 pole
	GBB220TBBC4	4 pole
Envelope 2	GBB220TBBC3	3 pole
	GBB220TBBC4	4 pole

**DEH-41431 Installation Instructions**

**EntelliGuard® G Circuit Breaker  
Accessories**

**Back Connected Terminations for  
Cassette**



**WARNING:** Before installing any accessories, turn the breaker OFF, disconnect it from all voltage sources, and discharge the closing springs.



**AVERTISSEMENT:** Avant d'installer tout accessoire, mettre le disjoncteur en position OFF, le déconnecter de toute tension d'alimentation, et décharger les ressorts d'armement

**Back Connected Terminations Assembly Procedure:**

1. Turn the breaker off and discharge the closing springs by depressing the OFF and ON buttons in the sequence OFF-ON-OFF. Verify that the breaker OFF-ON indicator shows OFF on a green background and that the charge indicator shows DISCHARGE on a white background. If installing in a draw-out type breaker remove breaker from cassette before continuing.
2. Assemble the top and bottom Back Connected Termination assemblies to the cassette back terminal support as shown in fig A.
3. Terminal assemblies to be tightened with M6 hardware as shown in fig A, to 10 Nm (7.4 ft-lbs) torque.
4. Assemble the remaining termination assemblies similarly on all the poles to populate 3 pole / 4 pole breaker fig B & fig C.
5. The bus bars to be supported within 200mm distance and tightened to 80Nm (59 ft-lbs) torque

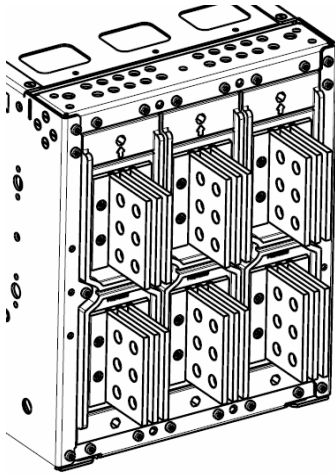


Fig B. Envelope 1 & Envelope 2 for 2000A 3 Pole

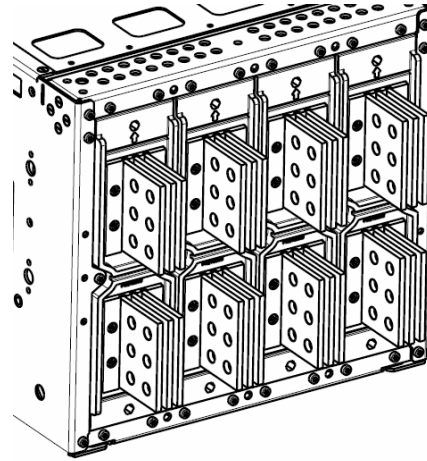


Fig C. Envelope 1 & Envelope 2, For 2000A 4 Pole

These instructions do not purport to cover all details or variations in equipment nor, to provide contingency to be met in connection with installation, operation, or maintenance. Should further information be desired, or should particular problems arise which are not covered sufficiently for the purchaser's purposes, the matter should be referred to GE.

GE  
41 Woodford Ave, Plainville, CT 06062  
[www.geelectrical.com](http://www.geelectrical.com)

© 2009 General Electric Company