



DEH-41434 Installation Instructions

**EntelliGuard® G Circuit Breaker
Accessories
Back Connected Terminations for
Cassette**

**Back Connected Terminations
Cassette Envelope 2 – 3200A ANSI**

Terminal assemblies are supplied with the EntelliGuard breaker.

! WARNING: Before installing any accessories, turn the breaker OFF, disconnect it from all voltage sources, and discharge the closing springs.

! AVERTISSEMENT: Avant d'installer tout accessoire, mettre le disjoncteur en position OFF, le déconnecter de toute tension d'alimentation, et décharger les ressorts d'armement

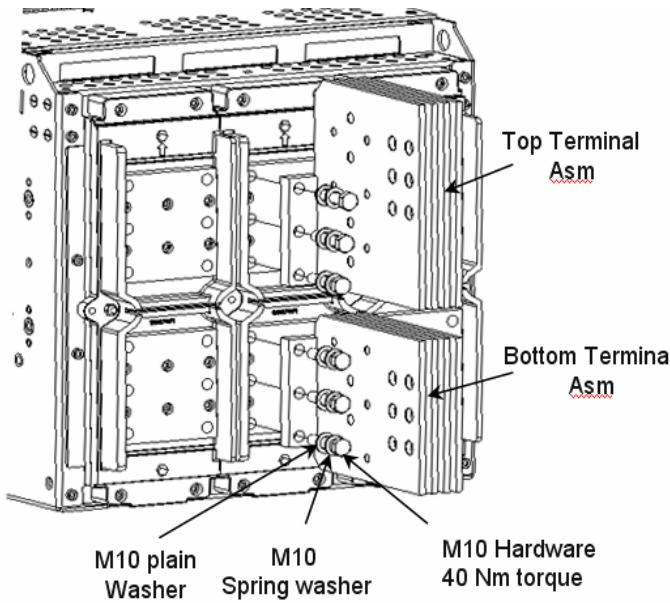


Fig A. Back Connected Terminations, (Middle pole) for 3200 Amperes (ANSI) 3 pole

Back Connected Terminations Assembly (3 Pole) Procedure:

1. Turn the breaker off and discharge the closing springs by depressing the OFF and ON buttons in the sequence OFF-ON-OFF. Verify that the breaker OFF-ON indicator shows OFF on a green background and that the charge indicator shows DISCHARGE on a white background. If installing in a draw-out type breaker remove breaker from cassette before continuing.
2. Assemble the middle bottom and top Back Connected Termination assemblies first to the cassette back terminal support as shown in Fig A.
3. Middle Terminal assemblies to be tightened with M10 hardware's as shown in Fig A, to 40 Nm (29.5 ft-lbs) torque.
4. Assemble the heat sinks LH & RH with spacers introduced in between the multiple pads of terminal assemblies as shown in Fig B for bottom & top sides. Tightened them with M8 mounting hardware's to 16 Nm (11.8 ft-lbs) torque.
5. Assemble the outer terminal assemblies on bottom and top side with M10 hardware tightened to 40 Nm (29.5 ft-lbs) torque as shown in Fig C.
6. Assemble the heat sinks RH with clearance holes & spacers introduced in between the multiple pads of outer terminal assemblies as shown in fig D, for bottom & top sides and tightened them

**Table 1. Back Connected Terminations
Catalog numbers**

Envelope Size	Catalog #	Description	TYPE
Envelope 2	GBB232TBC3	Top side	3 pole
	GBB232BBC3	Bottom side	3 pole
	GBB232TBC4	Top side	4 pole
	GBB232BBC4	Bottom side	4 pole

with M8 mounting hardware's to 16 Nm (11.8 ft-lbs) torque.

- Assemble remaining terminal assemblies similarly on all poles so as to populate as 3pole / 4 pole breaker.

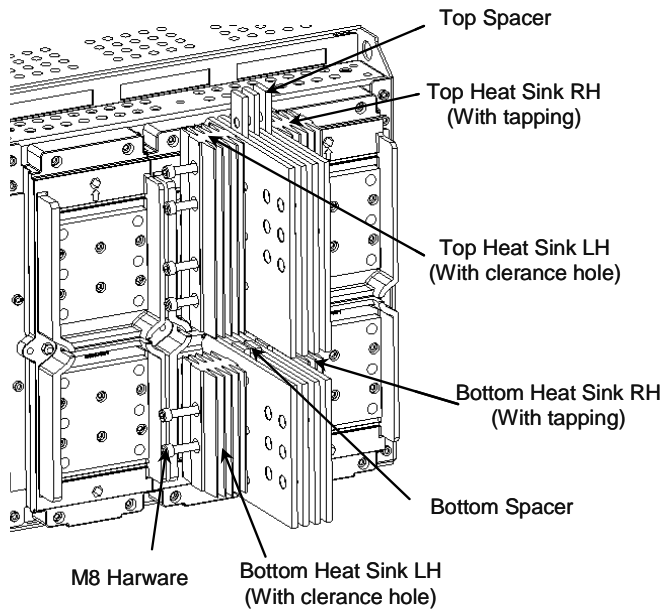


Fig B. Heat sink Asm with spacers (Middle pole) for 3200 Amperes (ANSI) 3 pole

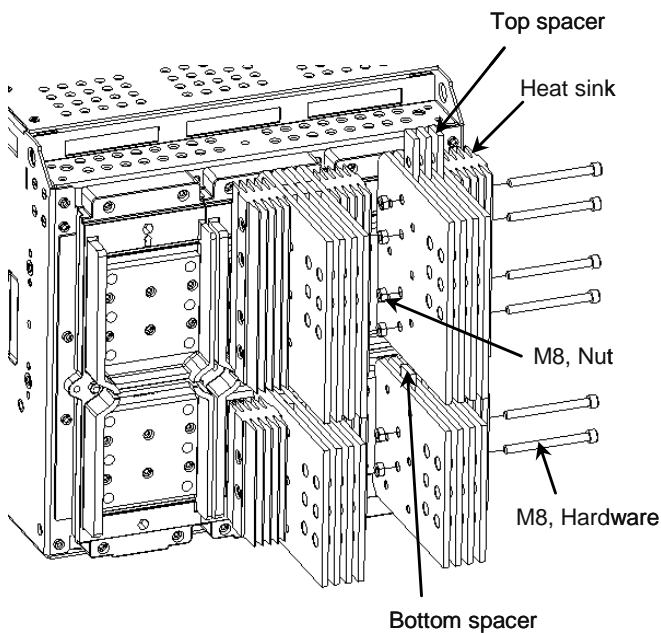


Fig D. Outer pole Heat Sink with spacer assembly for 3200 Amperes (ANSI), 3 Pole

- The bus bars to be supported within 200mm distance and tightened to 80Nm (59 ft-lbs) torque.

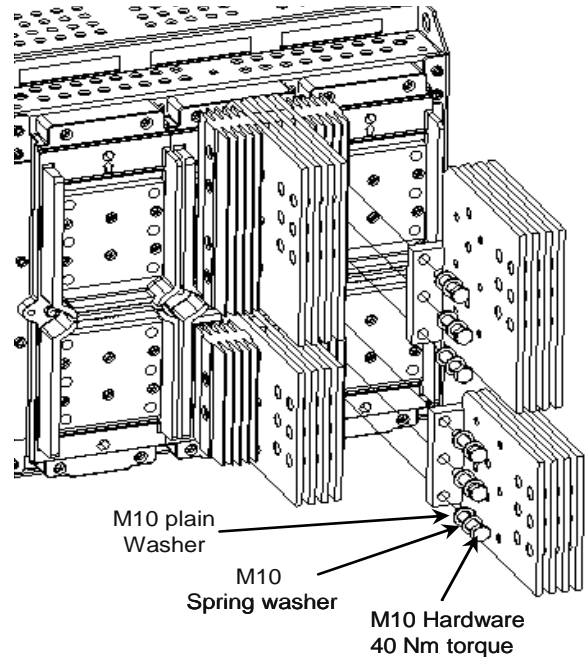


Fig C. Outer pole Back Connected Terminations assembly for 3200 Amperes (ANSI) 3 Pole

**** For 3 Pole , L2 Phase to have two heat sinks,
While outer poles L1 & L3 to have only one outer
heat sinks assembled**

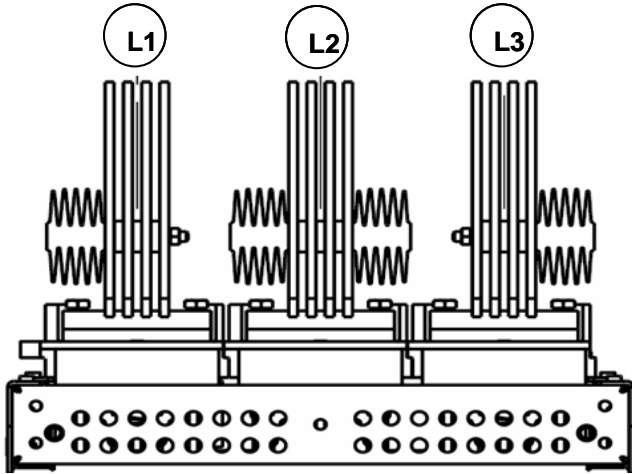


Fig E. Envelope 2, 3200A ANSI 3 Pole Top view

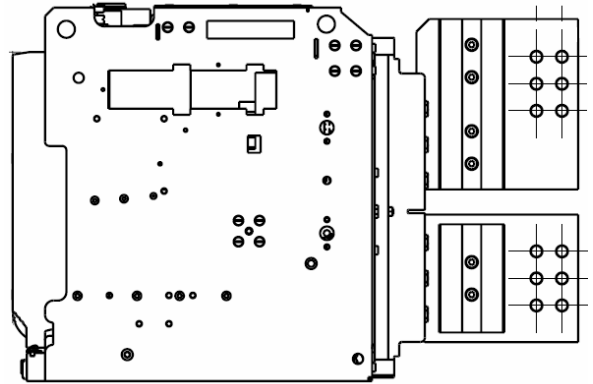


Fig F. Envelope 2 , 3200A ANSI 3 Pole Side view

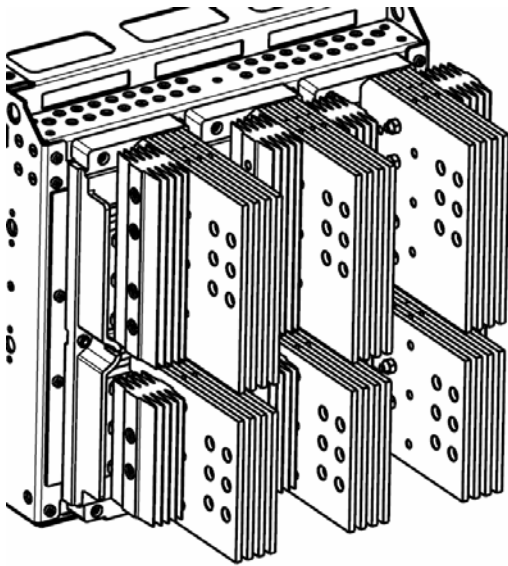


Fig G. Envelope 2, 3200A ANSI 3 Pole

**Back Connected Terminations Assembly (4 Pole)
Procedure:**

1. Similar Procedure to be followed for 4 pole breaker with neutral on right or left.
2. For 4 Pole breaker, assemble the L2 pole with two heat sinks first. Then assemble the adjacent poles with only one outer heat sinks. Refer Fig H – Fig L.

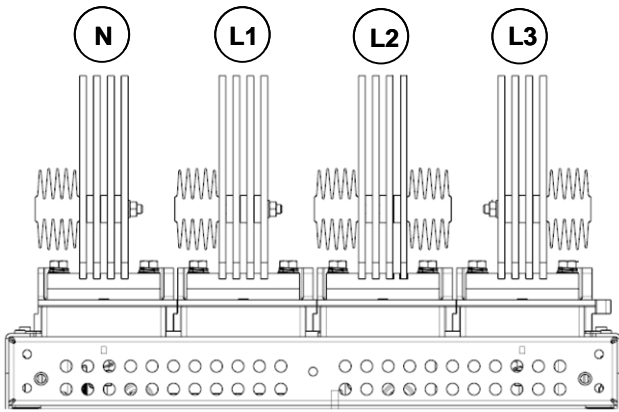


Fig H. Envelope 2, 3200A ANSI 4 Pole, Neutral Left, Top view

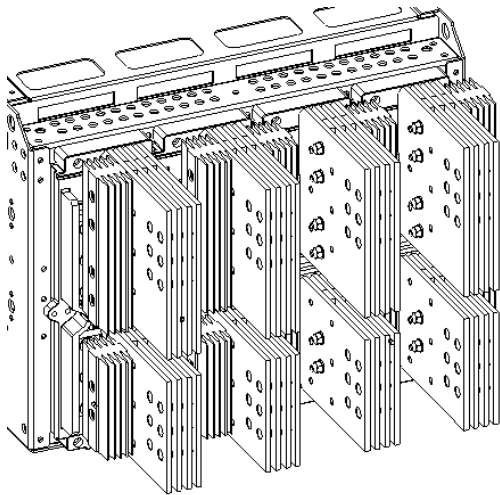


Fig I. Envelope 2, 3200A ANSI 4 Pole, Neutral left, top View

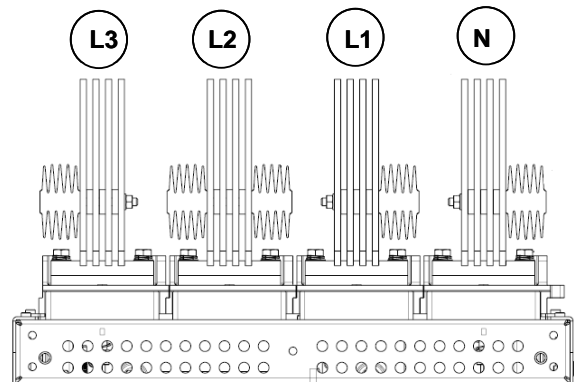


Fig J. Envelope 2 , 3200A ANSI 4 Pole ,Neutral Right, Top view

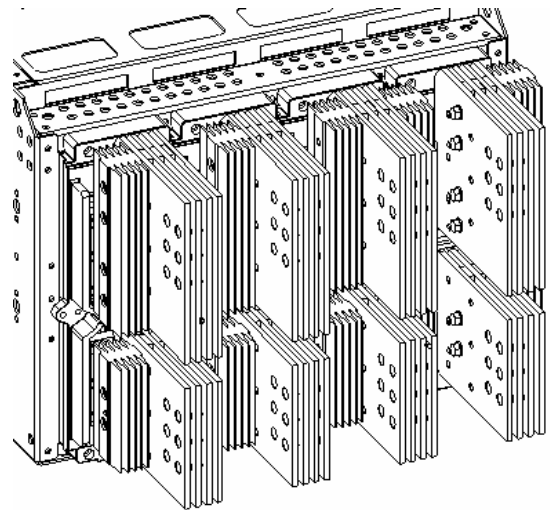


Fig K. Envelope 2, 3200A ANSI 4 Pole, Neutral Right

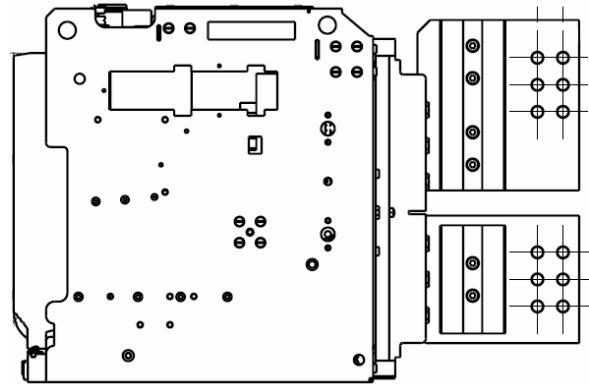


Fig L. Envelope 2, 3200A ANSI 4 Pole Side view

These instructions do not purport to cover all details or variations in equipment nor, to provide contingency to be met in connection with installation, operation, or maintenance. Should further information be desired, or should particular problems arise which are not covered sufficiently for the purchaser's purposes, the matter should be referred to GE.

GE
41 Woodford Ave, Plainville, CT 06062
www.geelectrical.com

© 2009 General Electric Company



DEH-41434 R1 (04/09)