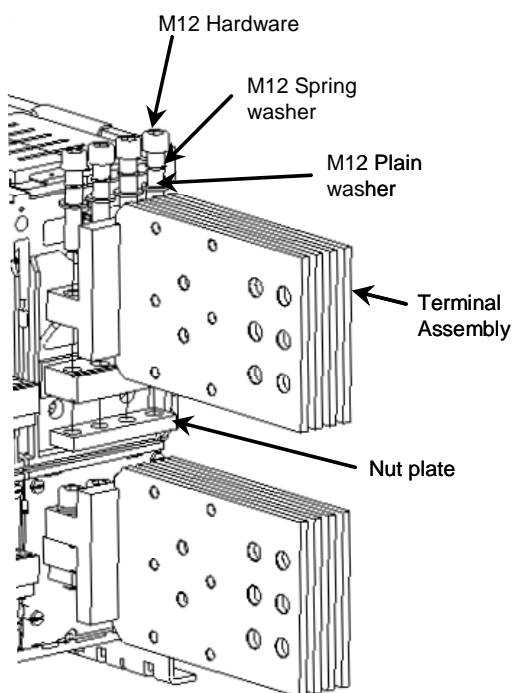




**Back Connected Terminations  
Fixed Envelope 2 3000A UL**

Terminal assemblies are supplied with the Entelliguard breaker. Fixed breakers have Back or Front Connected Terminations available. This instruction is for Back Connected Terminations



**Fig A. Back Connected Terminations assembly for 3000 Amperes (UL)**

**Table 1. Back Connected Terminations Catalog numbers**

Envelope Size	Catalog #	TYPE
Envelope2	GBB230TBB3	3 pole
	GBB230TBB4	4 pole

**DEH- 41439 Installation Instructions**

**EntelliGuard® G Circuit Breaker  
Accessories**

**Back Connected Terminations for Fixed  
Breaker**



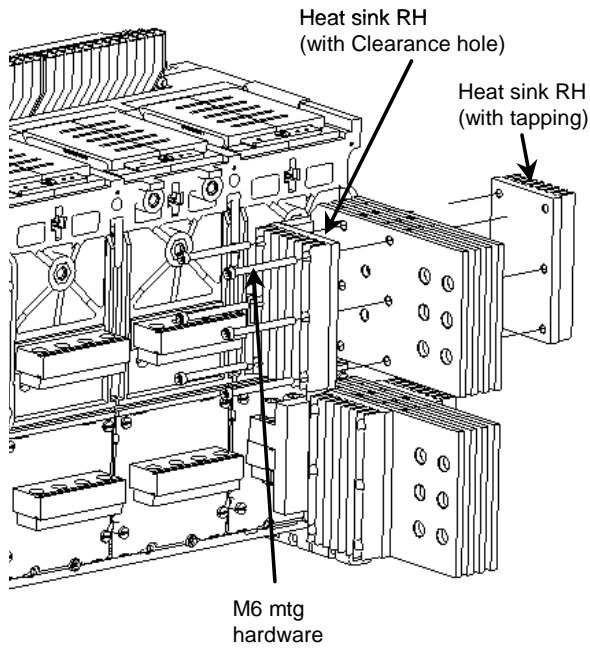
**WARNING:** Before installing any accessories, turn the breaker OFF, disconnect it from all voltage sources, and discharge the closing springs.



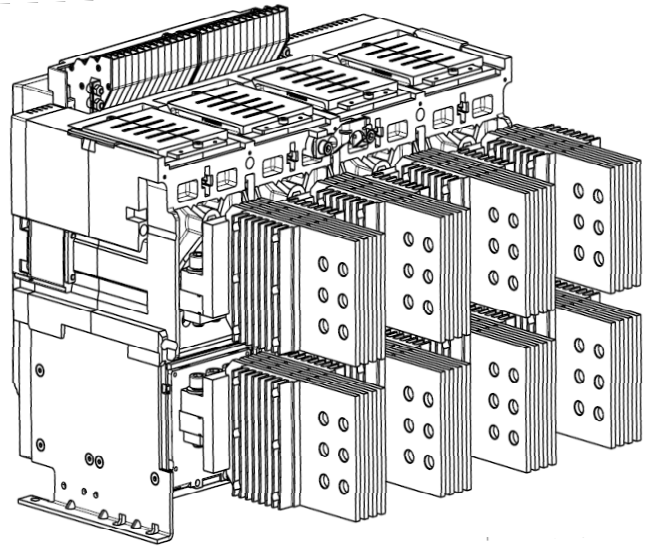
**AVERTISSEMENT:** Avant d'installer tout accessoire, mettre le disjoncteur en position OFF, le déconnecter de toute tension d'alimentation, et décharger les ressorts d'armement

**Back Connected Terminations Assembly mounting  
Procedure:**

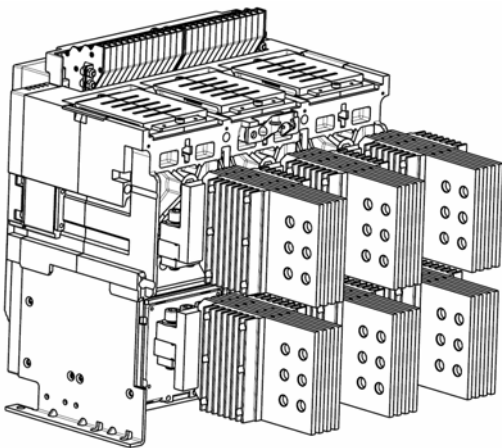
1. Turn the breaker off and discharge the closing springs by depressing the OFF and ON buttons in the sequence OFF-ON-OFF. Verify that the breaker OFF-ON indicator shows OFF on a green background and that the charge indicator shows DISCHARGE on a white background.
2. Assemble the outer bottom & top Back Connected Terminations assemblies first on to the breaker terminals & orient them as shown in fig A.
3. Terminal assemblies to be tightened with M12 hardware's as shown in Fig A, to 80 Nm (59 ft-lbs) torque.
4. Assemble the heat sinks LH & RH on the outer poles first, and tightened them with M6 hardware's to 8Nm (5.9 ft-lbs) torque as shown in fig B.
5. Repeat the above mounting procedure for the adjacent poles.
6. Assemble remaining terminal assemblies similarly on all poles so as to populate as 3pole / 4 pole breaker fig C & D.
7. The bus bars to be supported within 200mm distance and tightened to 80Nm (59 ft-lbs) torque



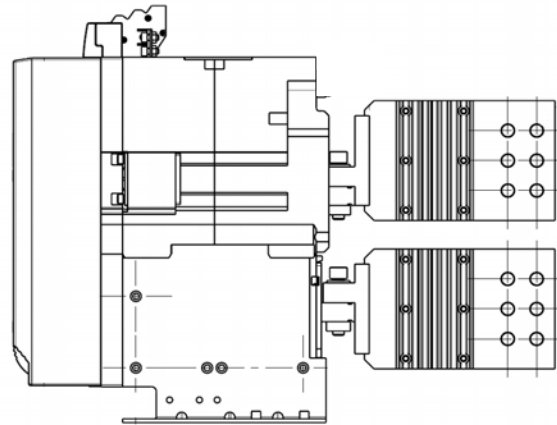
**Fig B. Heat sink mtg to terminal assembly (3000A UL)**



**Fig D, Envelope 2 Fixed, 3000A UL 4 Pole**



**Fig C, Envelope 2 Fixed, 3000A UL 3 Pole**



**Fig E, Envelope 2, Fixed, 3000A UL , Side view**

These instructions do not purport to cover all details or variations in equipment nor, to provide contingency to be met in connection with installation, operation, or maintenance. Should further information be desired, or should particular problems arise which are not covered sufficiently for the purchaser's purposes, the matter should be referred to GE.

GE  
41 Woodford Ave, Plainville, CT 06062  
www.geelectrical.com

© 2009 General Electric Company