



DEH- 41441 Installation Instructions

EntelliGuard® G Circuit Breaker Accessories

**Back Connected Terminations
Fixed Envelope 1 For 2000A**

Terminal assemblies are supplied with the Entelliguard breaker. Fixed breakers have Back or Front Connected Terminations available. This instruction is for Back Connected Terminations

Back Connected Terminations for Fixed Breaker

! WARNING: Before installing any accessories, turn the breaker OFF, disconnect it from all voltage sources, and discharge the closing springs.

! AVERTISSEMENT: Avant d'installer tout accessoire, mettre le disjoncteur en position OFF, le déconnecter de toute tension d'alimentation, et décharger les ressorts d'armement

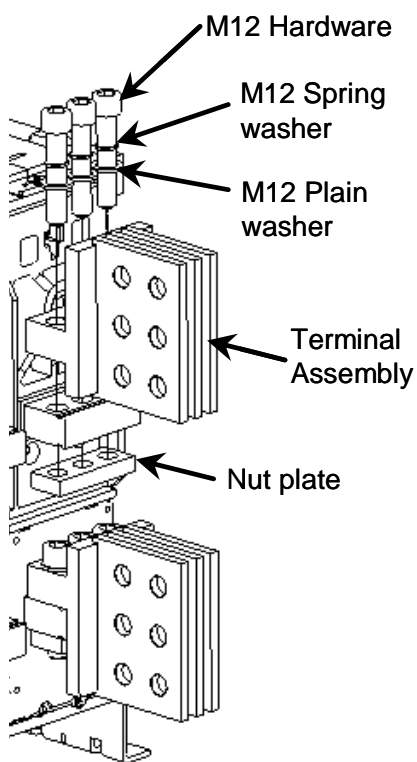


Fig A , Back Connected Terminations - fixed

Back Connected Terminations Assembly Procedure:

1. Turn the breaker off and discharge the closing springs by depressing the OFF and ON buttons in the sequence OFF-ON-OFF. Verify that the breaker OFF-ON indicator shows OFF on a green background and that the charge indicator shows DISCHARGE on a white background.
2. Assemble the bottom & top Back Connected Terminations assemblies to the breaker terminals and orient them as shown in shown in Fig A.
3. Terminal assemblies to be tightened with M12 hardware as shown in fig A, to 80 Nm (59 ft-lbs) torque.
4. Assemble the remaining termination assemblies similarly on all the poles to populate 3 pole / 4 pole breaker fig B & C.
5. The bus bars to be supported within 200mm distance and tightened to 80Nm (59 ft-lbs) torque.

**Table 1. Back Connected Terminations
Catalog numbers**

Envelope Size	Catalog #	TYPE
Envelope 1	GBB120TBB3	3 pole
	GBB120TBB4	4 pole

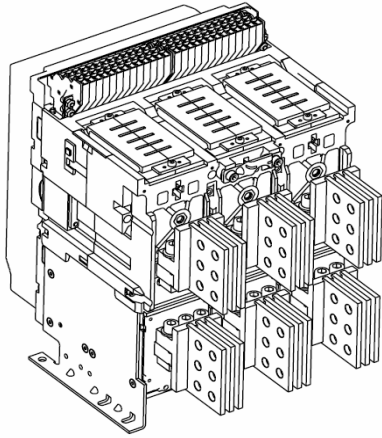


Fig B. Envelope 1 , fixed 2000A 3 Pole

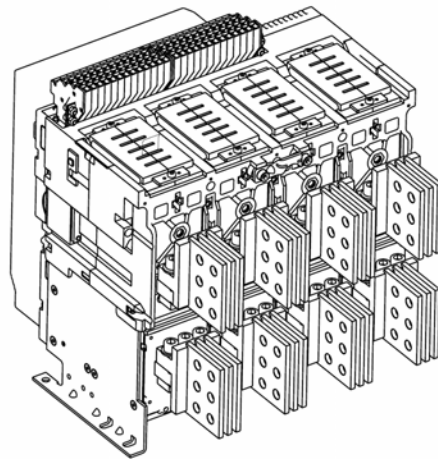


Fig C. Envelope 1 fixed , 2000A 4 Pole

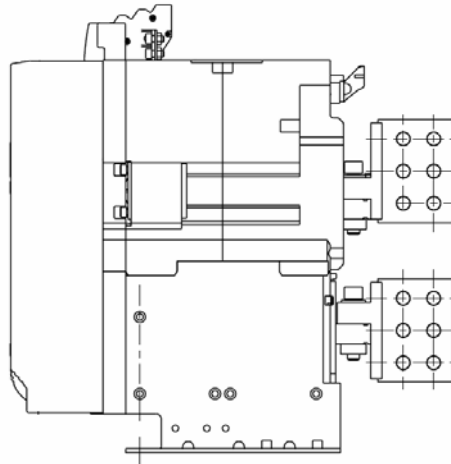


Fig D. Envelope 1 fixed , 200A side view

These instructions do not purport to cover all details or variations in equipment nor, to provide contingency to be met in connection with installation, operation, or maintenance. Should further information be desired, or should particular problems arise which are not covered sufficiently for the purchaser's purposes, the matter should be referred to GE.

GE
 41 Woodford Ave, Plainville, CT 06062
 www.geelectrical.com

© 2009 General Electric Company