



DEH- 41442 Installation Instructions

EntelliGuard® G Circuit Breaker Accessories

**Back Connected Terminations Assembly
Fixed Envelope 2 Upto 2000A**

Terminal assemblies are supplied with the Entelliguard breaker. Fixed breakers have Back or Front Connected Terminations available. This instruction is for Back Connected Terminations

Back Connected Terminations for Fixed Breaker

! WARNING: Before installing any accessories, turn the breaker OFF, disconnect it from all voltage sources, and discharge the closing springs.

! AVERTISSEMENT: Avant d'installer tout accessoire, mettre le disjoncteur en position OFF, le déconnecter de toute tension d'alimentation, et décharger les ressorts d'armement

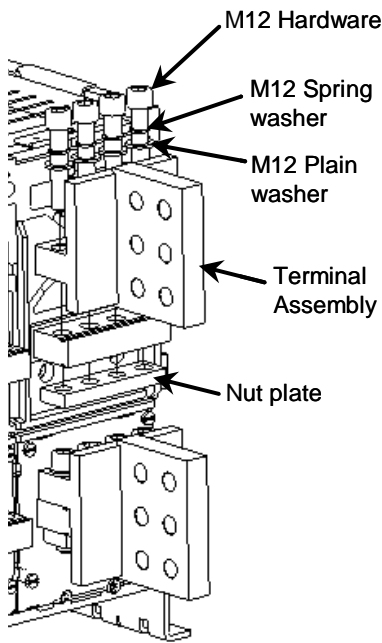


Fig A. Back Connected Termination assembly for 2000 Amperes (ANSI / UL)

Back Connected Terminations Assembly mtg Procedure:

1. Turn the breaker off and discharge the closing springs by depressing the OFF and ON buttons in the sequence OFF-ON-OFF. Verify that the breaker OFF-ON indicator shows OFF on a green background and that the charge indicator shows DISCHARGE on a white background.
2. Assemble the bottom & top Back Connected Terminations assemblies on to the breaker terminals & orient them as shown in fig A.
3. Terminal assemblies to be tightened with M12 hardware's as shown in fig A, to 80 Nm (59 ft-lbs) torque.
4. Assemble the remaining termination assemblies similarly on all the poles to populate 3 pole / 4 pole breaker fig B & fig C.
5. The bus bars to be supported within 200mm distance and tightened to 50Nm (36.9 ft-lbs) torque

Table 1. Back Connected Terminations Catalog numbers

Envelope Size	Catalog #	TYPE
Envelope 2	GBB220TBB3	3 pole
	GBB220TBB3	4 pole

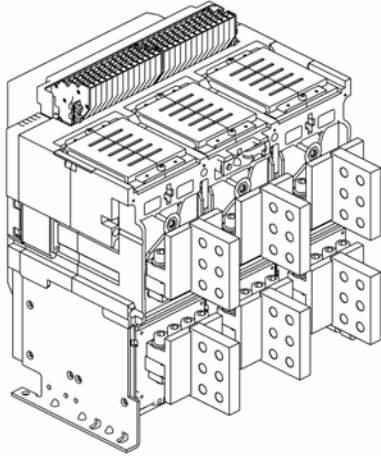


Fig B. Envelope 2 , Fixed upto 2000A 3 Pole

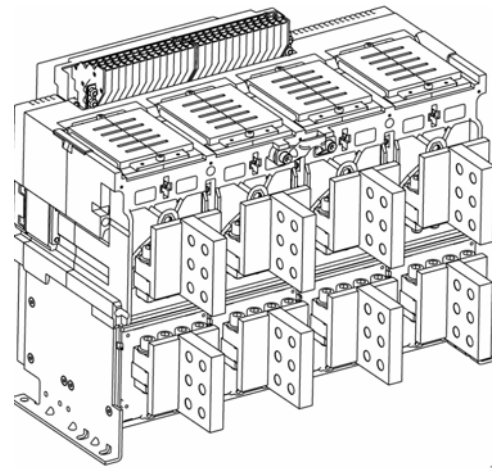


Fig C. Envelope 2 , Fixed Upto 2000A 4 Pole

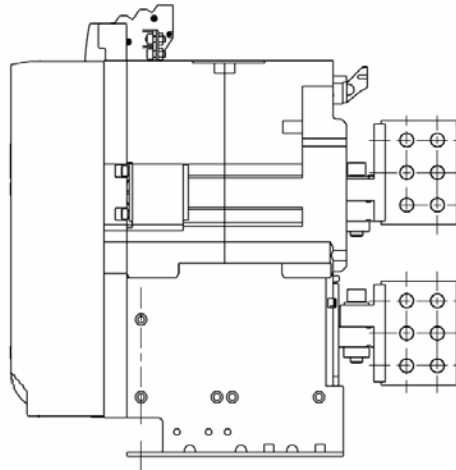


Fig C. Envelope 2 , Fixed Upto 2000A 4 Pole, side view

These instructions do not purport to cover all details or variations in equipment nor, to provide contingency to be met in connection with installation, operation, or maintenance. Should further information be desired, or should particular problems arise which are not covered sufficiently for the purchaser's purposes, the matter should be referred to GE.

GE
 41 Woodford Ave, Plainville, CT 06062
 www.geelectrical.com

© 2009 General Electric Company

