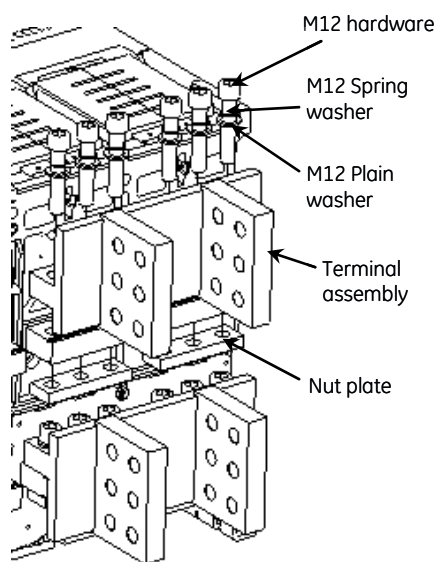




## EntelliGuard® G Circuit Breaker Accessories

### Back Connected Terminations Fixed Envelope 3 upto 4000A,

Terminal assemblies are supplied with the EntelliGuard breaker. Fixed breakers have Back or Front Connected Terminations available. This instruction is for Back Connected Terminations



**Fig A. Back Connected Terminations for 4000 Amperes (ANSI / UL)**

### Back Connected Terminations for Fixed Breaker

**!** WARNING: Before installing any accessories, turn the breaker OFF, disconnect it from all voltage sources, and discharge the closing springs.

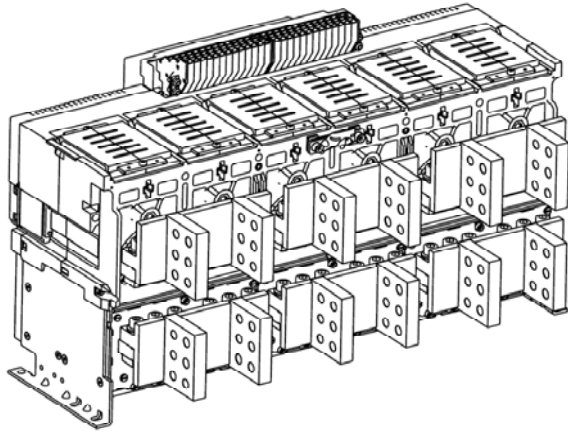
**!** AVERTISSEMENT: Avant d'installer tout accessoire, mettre le disjoncteur en position OFF, le déconnecter de toute tension d'alimentation, et décharger les ressorts d'armement

#### Back Connected Terminations Assembly mtg Procedure:

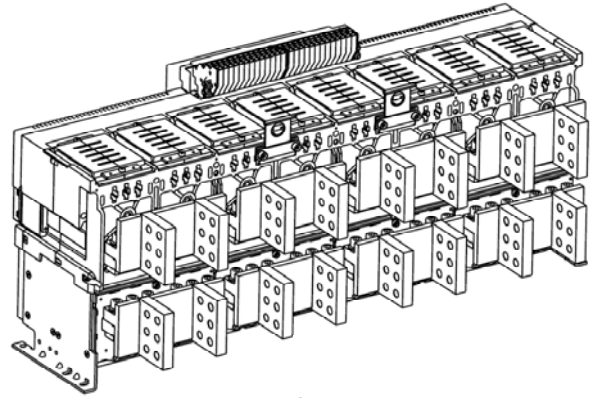
1. Turn the breaker off and discharge the closing springs by depressing the OFF and ON buttons in the sequence OFF-ON-OFF. Verify that the breaker OFF-ON indicator shows OFF on a green background and that the charge indicator shows DISCHARGE on a white background.
2. Assemble the bottom & top Back Connected Termination assemblies on to the breaker terminals & orient them as shown in fig A.
3. Terminal assemblies to be tightened with M12 hardware's as shown in fig A, to 80 Nm (59 ft-lbs) torque.
4. Assemble the remaining termination assemblies similarly on all the poles to populate 3 pole / 4 pole breaker fig B & fig C.
5. The bus bars to be supported within 200mm distance and tightened to 50Nm (36.9 ft-lbs) torque

**Table 1. Back Connected Terminations Catalog numbers**

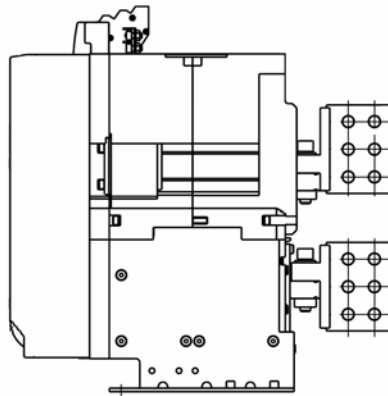
| Envelope Size | Catalog #  | TYPE   |
|---------------|------------|--------|
| Envelope 3    | GBB340TBB3 | 3 pole |
|               | GBB340TBB4 | 4 pole |



**Fig B. Envelope 3 , Fixed type Upto 4000A 3 Pole**



**Fig C. Envelope 3 , Fixed upto 4000A 4 Pole**



**Fig E. Envelope 3 , Fixed type, side view**

These instructions do not purport to cover all details or variations in equipment nor, to provide contingency to be met in connection with installation, operation, or maintenance. Should further information be desired, or should particular problems arise which are not covered sufficiently for the purchaser's purposes, the matter should be referred to GE.

GE  
 41 Woodford Ave, Plainville, CT 06062  
[www.geelectrical.com](http://www.geelectrical.com)

© 2009 General Electric Company

