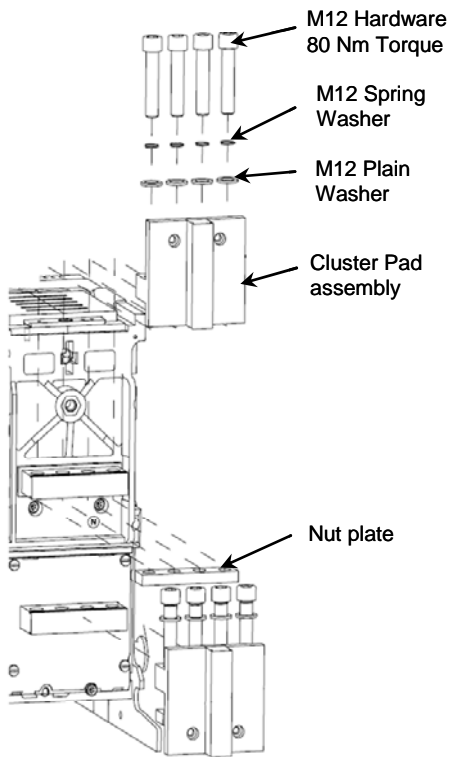




**Cluster Pad Assembly ANSI / UL
Envelope 2, drawout, Upto 2000A**

Cluster pad assemblies are supplied with the Entelliguard breaker.



**Fig A. Envelope 2, Cluster pad assembly
(Up to 2000 Amperes, drawout)**

Envelope Size	Catalog #
Envelope 2 Cluster pad	GBB220TBD

Table1 Cluster pad catalog numbers

DEH-41449 Installation Instructions

**EntelliGuard® G Circuit Breaker
Accessories**

Cluster pad Assembly



WARNING: Before installing any accessories, turn the breaker OFF, disconnect it from all voltage sources, and discharge the closing springs.



AVERTISSEMENT: Avant d'installer tout accessoire, mettre le disjoncteur en position OFF, le déconnecter de toute tension d'alimentation, et décharger les ressorts d'armement

Cluster pad Assembly mounting Procedure:

1. Turn the breaker off and discharge the closing springs by depressing the OFF and ON buttons in the sequence OFF-ON-OFF. Verify that the breaker OFF-ON indicator shows OFF on a green background and that the charge indicator shows DISCHARGE on a white background. If installing in a draw-out type breaker remove breaker from adaptor (cassette) before continuing
2. Assemble the Cluster pad assembly on the breaker top & bottom rear terminals & orient them as shown in Fig A.
3. Tightened the cluster pad assemblies on bottom & top breaker terminals with torque of 80Nm (59 ft-lbs) as shown in fig A.

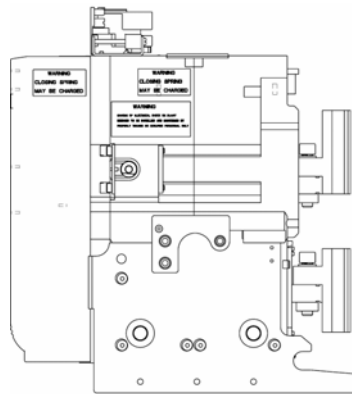


Fig B. Envelope 2 Cluster pad assembly, Side View

These instructions do not purport to cover all details or variations in equipment nor, to provide contingency to be met in connection with installation, operation, or maintenance. Should further information be desired, or should particular problems arise which are not covered sufficiently for the purchaser's purposes, the matter should be referred to GE.

GE
41 Woodford Ave, Plainville, CT 06062
www.geelectrical.com

© 2009 General Electric Company

