



DEH-41450 Installation Instructions

EntelliGuard® G Circuit Breaker Accessories

Cluster pad Assembly

**Cluster Pad Assembly, ANSI / UL
Envelope 1, drawout upto 2000A
Envelope 2.5, drawout upto 4000A**

Cluster pad assemblies are supplied with the EntelliGuard breaker.

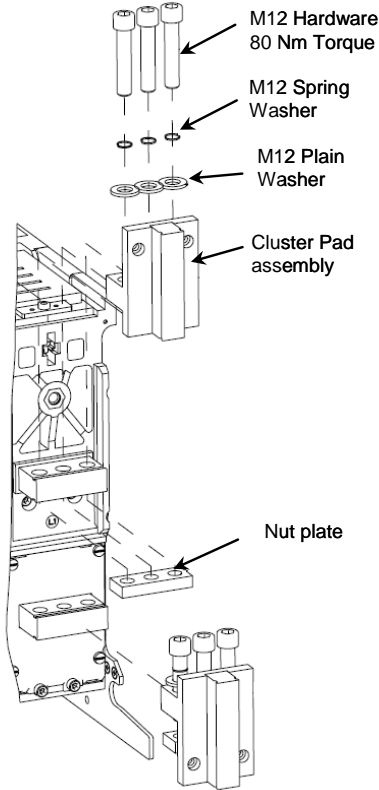


Fig A. Envelope 1, Cluster pad assembly (Upto 2000 Amperes, drawout)

Envelope Size	Catalog #
Envelope 1 Cluster pad	GBB120TBD
Envelope 2.5 Cluster pad	GBB120TBD

Table 1 Cluster pad catalog numbers

! WARNING: Before installing any accessories, turn the breaker OFF, disconnect it from all voltage sources, and discharge the closing springs.

! AVERTISSEMENT: Avant d'installer tout accessoire, mettre le disjoncteur en position OFF, le déconnecter de toute tension d'alimentation, et décharger les ressorts d'armement

Cluster pad Assembly mounting Procedure:

1. Turn the breaker off and discharge the closing springs by depressing the OFF and ON buttons in the sequence OFF-ON-OFF. Verify that the breaker OFF-ON indicator shows OFF on a green background and that the charge indicator shows DISCHARGE on a white background. If installing in a draw-out type breaker remove breaker from adaptor (cassette) before continuing
2. Assemble the Cluster pad assembly on the breaker top & bottom rear terminals & orient them as shown in Fig A.
3. Tightened the cluster pad assemblies on bottom & top breaker terminals with torque of 80Nm (59 ft-lbs) as shown in fig A.

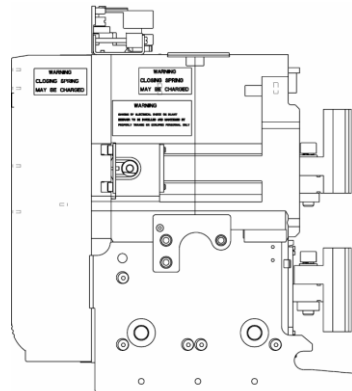


Fig B. Envelope 1 Cluster pad assembly, Side View

These instructions do not purport to cover all details or variations in equipment nor, to provide contingency to be met in connection with installation, operation, or maintenance. Should further information be desired, or should particular problems arise which are not covered sufficiently for the purchaser's purposes, the matter should be referred to GE.

GE
41 Woodford Ave, Plainville, CT 06062
www.geelectrical.com

© 2009 General Electric Company



DEH-41450 R2 (12/15)