



EntelliGuard® G Circuit Breaker Accessories

Flat front Terminations Envelope 2.5 (Up to 4000A) Envelope 3 (Up to 6400A)

Terminal assemblies are supplied with the EntelliGuard breaker.

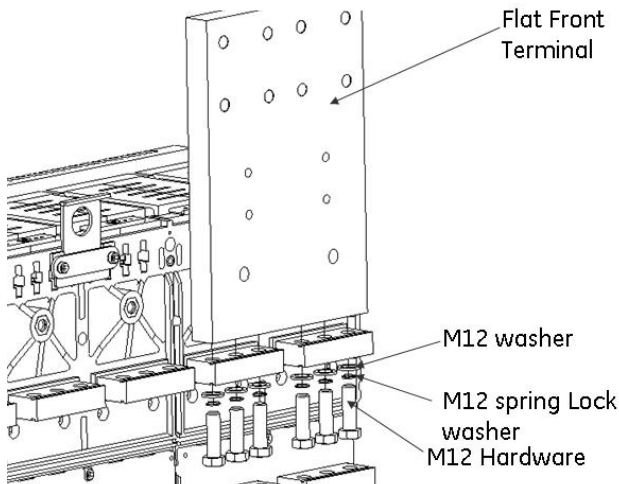


Fig A. Flat front Termination

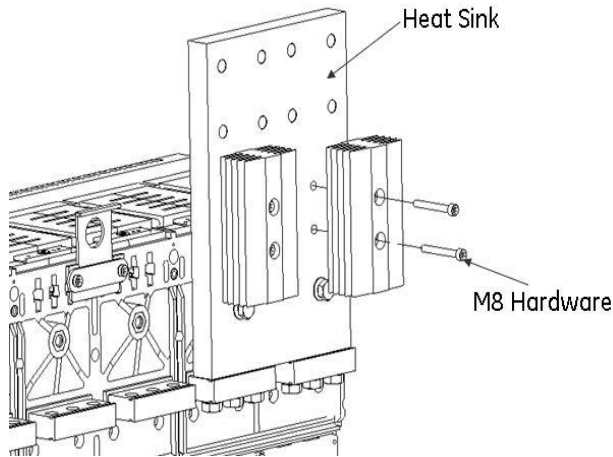




Fig B. Heat Sink Assembly

Catalogue No:

Catalog #	Description
GBB3TBF3	Envelope 3-3pole 4000-6000A
GBB3TBF4	Envelope 3-4pole 4000-6000A
GBBNTBF3	Envelope 2.5-3pole 800A - 4000A

Flat Front Terminations for Fixed Breaker

 **WARNING:** Before installing any accessories, turn the breaker OFF, disconnect it from all voltage sources, and discharge the closing springs.

 **AVERTISSEMENT:** Avant d'installer tout accessoire, mettre le disjoncteur en position OFF, le déconnecter de toute tension d'alimentation, et décharger les ressorts d'armement

Flat Front Terminations Assembly Procedure:

1. Turn the breaker off and discharge the closing springs by depressing the OFF and ON buttons in the sequence OFF-ON-OFF. Verify that the breaker OFF-ON indicator shows OFF on a green background and that the charge indicator shows DISCHARGE on a white background.
2. Assemble the Flat Front to the rear terminals with M12 Hardware as shown in Fig A., Tighten the hardware to torque 50N-m (36.9 ft-lbs)
3. Assemble the Heat Sink with M8 Hardware to Flat Front as shown in Fig B. Tighten to torque 12-14N-m (8.9-10.3 ft-lbs)
4. Similarly populate the Flat Front and Heat sink on all other terminals as shown in fig B & C.
5. The bus bars to be supported within 200mm distance and tightened to 50Nm (36.9 ft-lbs) torque.

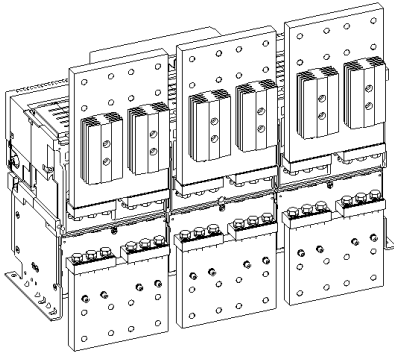


Fig C. Envelope 3, 3 Pole

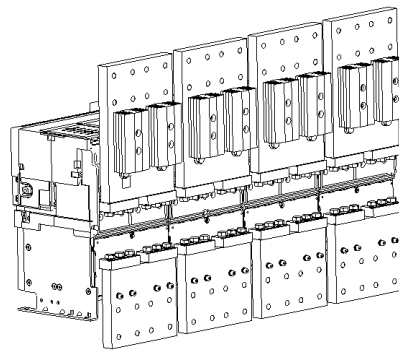


Fig D. Envelope 3, 4 Pole

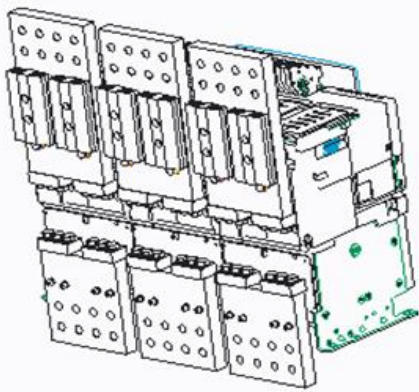


Fig E. Envelope 2.5, 3 Pole

These instructions do not purport to cover all details or variations in equipment nor, to provide contingency to be met in connection with installation, operation, or maintenance. Should further information be desired, or should particular problems arise which are not covered sufficiently for the purchaser's purposes, the matter should be referred to GE.

GE
41 Woodford Ave, Plainville, CT 06062
www.geelectrical.com

© 2009 General Electric Company



DEH-41463 R2 (12/15)